

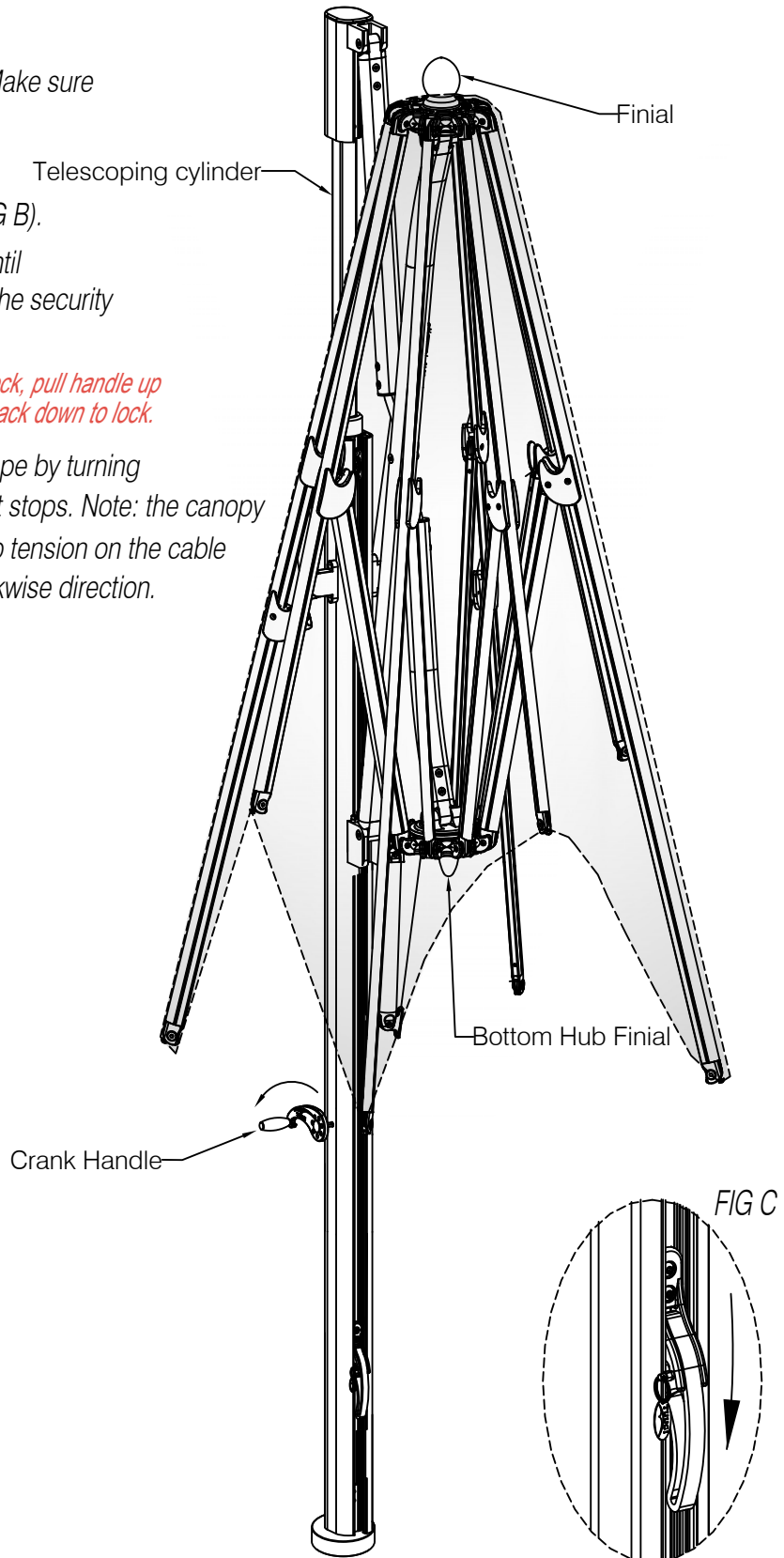
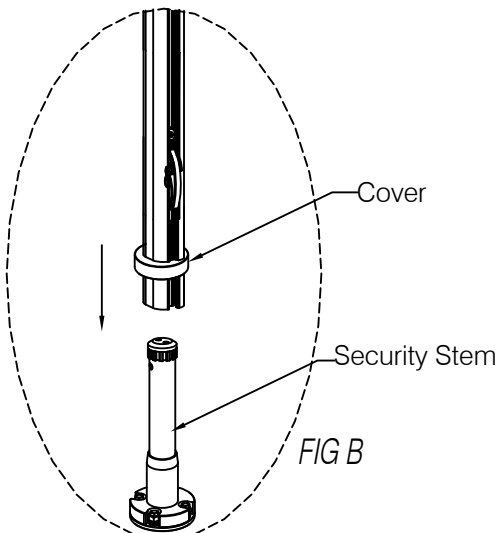
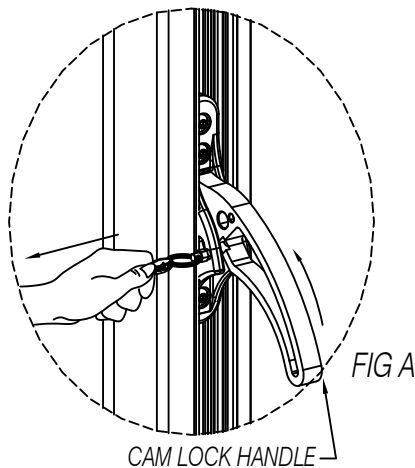
OPERATING INSTRUCTIONS

OCEAN MASTER / PLANTATION
MAX MANTA CANTILEVER

- ① Remove all packaging from umbrella, including inside the umbrella.
- ② Pull pin to unlock cam lock handle. Make sure cam lock handle is open (see FIG A).
- ③ Insert cover on to mast. Place Umbrella in SECURITY STEM (see FIG B).
- ④ Push cam lock handle (see FIG C) until engaged in the proper gear slot with the security stem in the downward position.

** To rotate umbrella: Pull cam lock handle pin to unlock, pull handle up and turn umbrella to desired location. Push handle back down to lock.*

- ⑤ Insert crank handle and open telescope by turning crank handle counterclockwise until it stops. Note: the canopy and umbrella will remain closed. Keep tension on the cable as you turn crank handle counterclockwise direction.



Global headquarters

2900 NW 35th Street
Miami, FL 33142 USA

t 305.634.5116
f 305.634.5119

info@tuuci.com
www.tuuci.com

Version date: 04/27/2015 - [CL- Max Manta OM-PL.dwg] - REV:A - Page 1 of 2

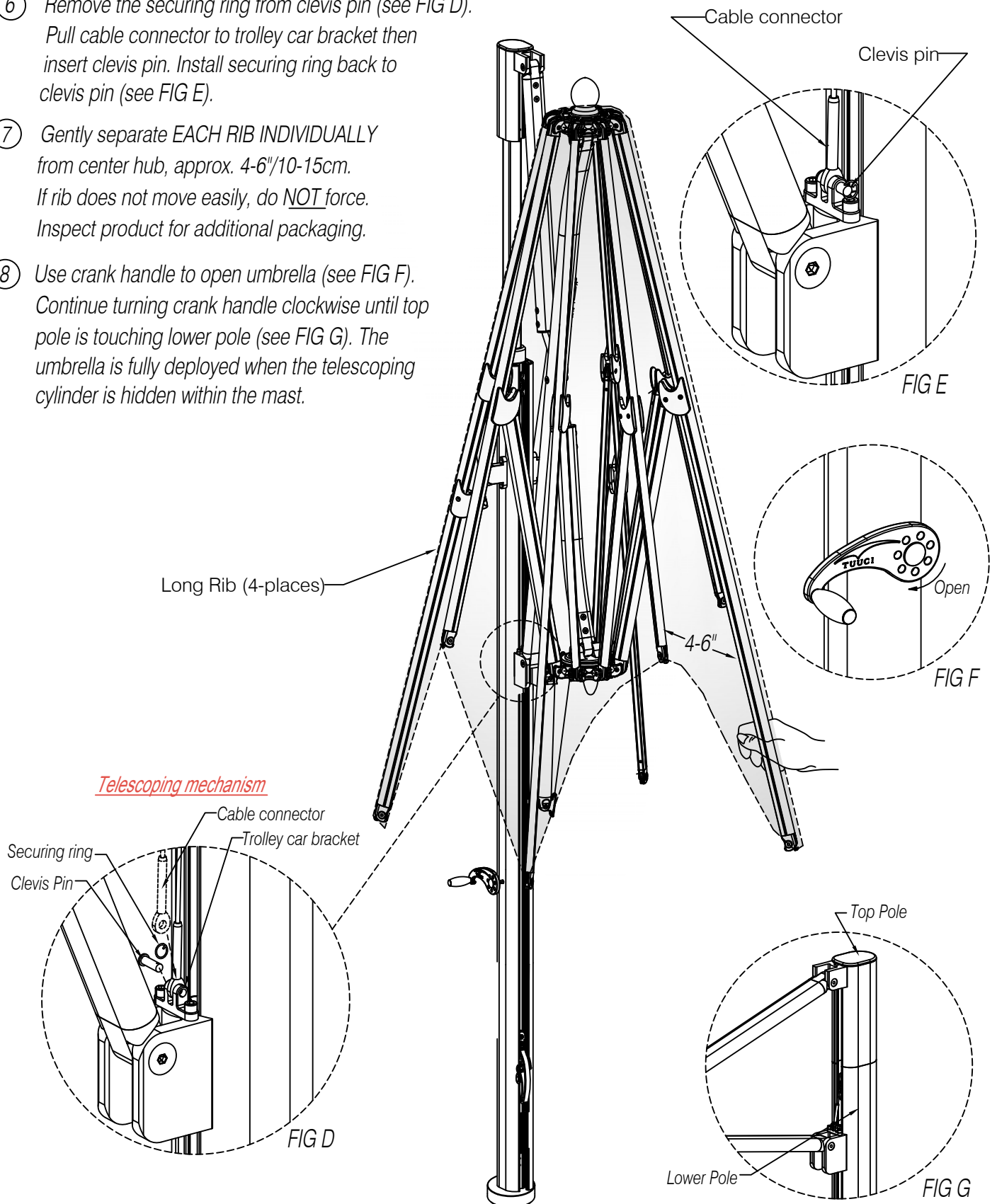
TUUCI
made in miami

OPERATING INSTRUCTIONS

OCEAN MASTER / PLANTATION
MAX MANTA CANTILEVER

Engage the telescoping mechanism:

- ⑥ Remove the securing ring from clevis pin (see FIG D). Pull cable connector to trolley car bracket then insert clevis pin. Install securing ring back to clevis pin (see FIG E).
- ⑦ Gently separate EACH RIB INDIVIDUALLY from center hub, approx. 4-6"/10-15cm. If rib does not move easily, do NOT force. Inspect product for additional packaging.
- ⑧ Use crank handle to open umbrella (see FIG F). Continue turning crank handle clockwise until top pole is touching lower pole (see FIG G). The umbrella is fully deployed when the telescoping cylinder is hidden within the mast.



Global headquarters

2900 NW 35th Street
Miami, FL 33142 USA

t 305.634.5116
f 305.634.5119

info@tuuci.com
www.tuuci.com

Version date: 04/27/2015 - [CL- Max Manta OM-PL.dwg] - REV:A - Page 2 of 2

TUUCI
made in miami