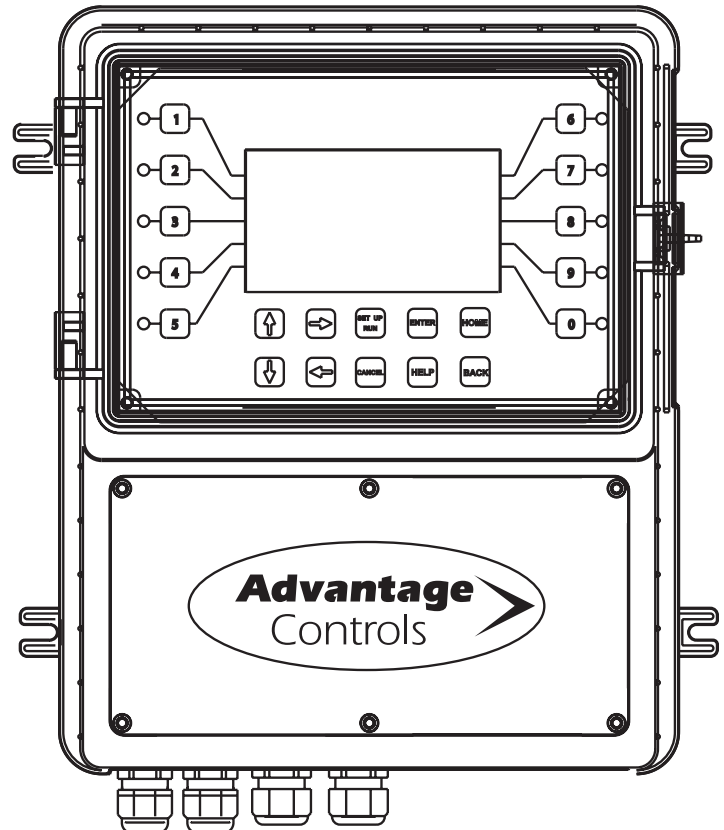


# MegaTron Controller

## *Installation Maintenance Repair Manual*



Intertek

Advantage Controls  
4700 Harold Abitz Dr.  
Muskogee, OK 74403  
Phone: 918-686-6211  
Fax: 918-686-6212  
www.advantagecontrols.com  
email: support@advantagecontrols.com

8/2019

# MegaTron Controller Instruction & Maintenance Manual Table of Contents

Contents	Page
I. Introduction.....	3
Model Numbering .....	3
Description of Unit .....	3
II. Installation .....	4
Electrical Wiring.....	4
Wiring Diagrams .....	5
Mounting Instructions .....	5
Electrode Installation .....	9
A. Cooling Tower .....	9
B. Boiler.....	11
III. Front Panel	
Drawing .....	13
Description.....	13
IV. System Operation Overview.....	14
Start-Up .....	14
Calibration .....	14
V. Menu Navigation.....	15
VI. Maintenance .....	28
Electrode Cleaning Procedures.....	28
VII. Troubleshooting.....	29
VIII. Warranty & 30 Day Billing Memo Policy .....	30

## I. Introduction

The MegaTron microprocessor based controllers are designed to provide a wide range of control functions for recirculating water treatment systems. The controller is programmed through a front panel keypad and can be configured to provide a customized control system for your application. Your particular unit's functions can be determined by comparing the units model number to the Model Numbering table listed below.

### Model Numbering

MegaTron units have several base system control functions and unit optional features. Your unit may be supplied with one or more of the features described in this manual. To determine what features apply to your unit check the model number label located on the controller enclosure.

#### Base System Control Functions

**C** - Tower Conductivity Control  
**B1**- Boiler RTD Conductivity Control  
**B2**- Boiler No Temp Conductivity  
**P** - pH Control  
**Q** - Dual pH Control  
**R** - ORP Control  
**T** - Temperature Control  
**F1 to F5**- Chemical Feed Timers  
**E** - Flow Switch

#### Whole Unit Optional Features

**A** - Conduit Connections (115 VAC)  
**A3** - Liquid tights only for (220-240 VAC)  
**D** - Dry Contact Relays  
**H** - Remote Communications bus only  
**H1**- Internet Connect Communications  
**H4**- Internet Phone Modem Communications  
**H5**- Internet with Cell Modem Router  
**K** - Additional Control Relays  
**N8** - 4-20mA inputs  
**O6** - 4-20mA outputs  
**S** - Saturation Index (must have pH)  
**W** - Auxiliary Flow Meter Inputs  
**Y** - ETL Agency Listing / Approvals

Model numbers start **MG** followed by the Base System Control functions. If multisystem, all of the control functions of system one are followed by a **dash** then the functions for the next system. If the next system(s) is the same as the one before a (-X2, X3 or X4) is used. Another **dash** separates the whole unit options listed after all base system control functions. Example: **MGCPF3E-X2-DHY**.

**Notice:** Your unit may not have all features and functions described in this manual. This list represents our most popular options, additional option codes are available. Consult representative for more details.

### Description of Unit

MegaTron controllers may be configured to control one to four separate systems including cooling tower and boiler applications and may have various features depending on the model number. Whether the unit is controlling 1 to 4 systems each individual system can be configured with a variety of the functions / features and there may be feature differences between the systems on a unit with multiple systems. (See model numbering table above).

### Control Functions

Each of these control functions are based on an analog input from a probe and will include user settable relay control settings along with a High and Low Alarm setting and Limit Timer. Each control function will include a control relay output. When the reading reaches the Set Point the control relay is activated until the reading changes by the Differential amount.

1. **System Conductivity** - The conductivity function of the controller is designed to monitor and control Total Dissolved Solids (TDS) in a recirculating system like a cooling tower or boiler in terms of electrical conductivity measured in MicroSiemens/cm. This control function is also referred to as Bleed.
2. **Make-up or Miscellaneous Conductivity** - This conductivity with the probe installed in the fresh make-up water line can be used to control the conductivity of the tower in terms of cycles of concentration by calculating the difference between the make-up water's conductivity and the system's conductivity. It can also be used to monitor another conductivity with no feed timers associated with it..
3. **pH** - The pH function monitors and controls pH on a scale of 0-14 pH units.
4. **ORP** - The ORP function monitors and controls ORP on a scale of +/- 1000 mV.

## Chemical Feed Timers



Chemical feed timers are designed to automate the addition of various chemicals by activating a relay output. Multiple timers can be supplied depending upon the model number and each timer will include a relay output. All timers can be programmed to be one of the following types.

1. **Pulse Time** - Accepts pulses from a make-up water meter (supplied separately). It can accumulate 1-9999 gallons before activating the timer to run.
2. **Feed with Bleed** - Activates the relay output simultaneously with the bleed and limits the amount of time the relay output will be on during the bleed cycle.
3. **Feed after Bleed** - Activates the relay output based on a user defined percentage of time based on the bleed off, another timer or digital input. The relay is activated after a bleed cycle and runs for the set percentage of that bleed cycle.
4. **Percentage** - The relay is on for a percentage of a continuously repeating cycle time that can be set from 1 minute to 99 hours and 59 minutes.
5. **28 Day** - The timer is based on a 28 day cycle with four independent programmable feed cycles with prebleed and bleed lockout settings.

## II. Installation

### Electrical Wiring

The MegaTron controller has an internal regulated fused power supply that will operate off of 90 to 250 VAC at 47 to 63 Hz on the incoming wiring. Each output relay is individually protected with a replaceable fuse. Relay outputs will equal incoming line voltage.

 <b>CAUTION</b> 
1. There are live circuits inside the controller even when the power switch on the front panel is in the OFF position. Never open the front panel without first disconnecting power from the outlet. Prewired controllers are supplied with an 8 foot, 18 AWG power cord with USA style plug. A #1 Phillips driver is required to open the front panel.
2. Low voltage signal wires (probes, flow switch, water meter, etc.) should never be run in conduit with high voltage (like 115VAC) wires.
3. Never attempt to land connections to the controller without first disconnecting power from the outlet.
4. Do not block access to disconnect power during mounting and installation.
5. The controller should be connected to its own isolated circuit breaker, and for best results, the ground should be a true earth ground, not shared. Any attempt to bypass the grounding will compromise the safety of users and property.
6. The electrical installation of the controller must be performed by trained personnel only and conform to all applicable National, State and Local codes.
7. Operation of this product in a manner not specified by Advantage Controls may result in damage to equipment or persons.
8. Avoid mounting in locations that expose the controller to direct sunlight, vapors, vibration, liquid spills or extreme temperatures; less than 0°F (-17.8°C) or greater than 120°F (50°C). EMI (electromagnetic interference) from radio transmissions and electric motors can also cause damage or interference and should be avoided.

#### NOTES:

1. **Liquid tight fittings and some labeled signal leads are provided for all signal (low voltage) connections for both pre-wired and conduit units.**
2. **Units should be ordered with the appropriate option to provide powered relays designed for the incoming/outgoing power.**

### Mounting Instructions

Select a mounting location that provides the operator easy access to the unit and a clear view of the controls through the cover of the controller. The location should be convenient to grounded electrical connections, the needed sample line plumbing and is on a stable vertical surface.

## Pre-Wired

Pre-wired units are supplied with a 16 AWG cable(s) with 3-wire grounded USA 115 volt plug for incoming power and 3-wire grounded receptacle cords for all control relay outputs also 16 AWG.

**NOTE: An additional male power cord is supplied with each group of 5 relays. All incoming power cords must be plugged in for the unit to work correctly.**

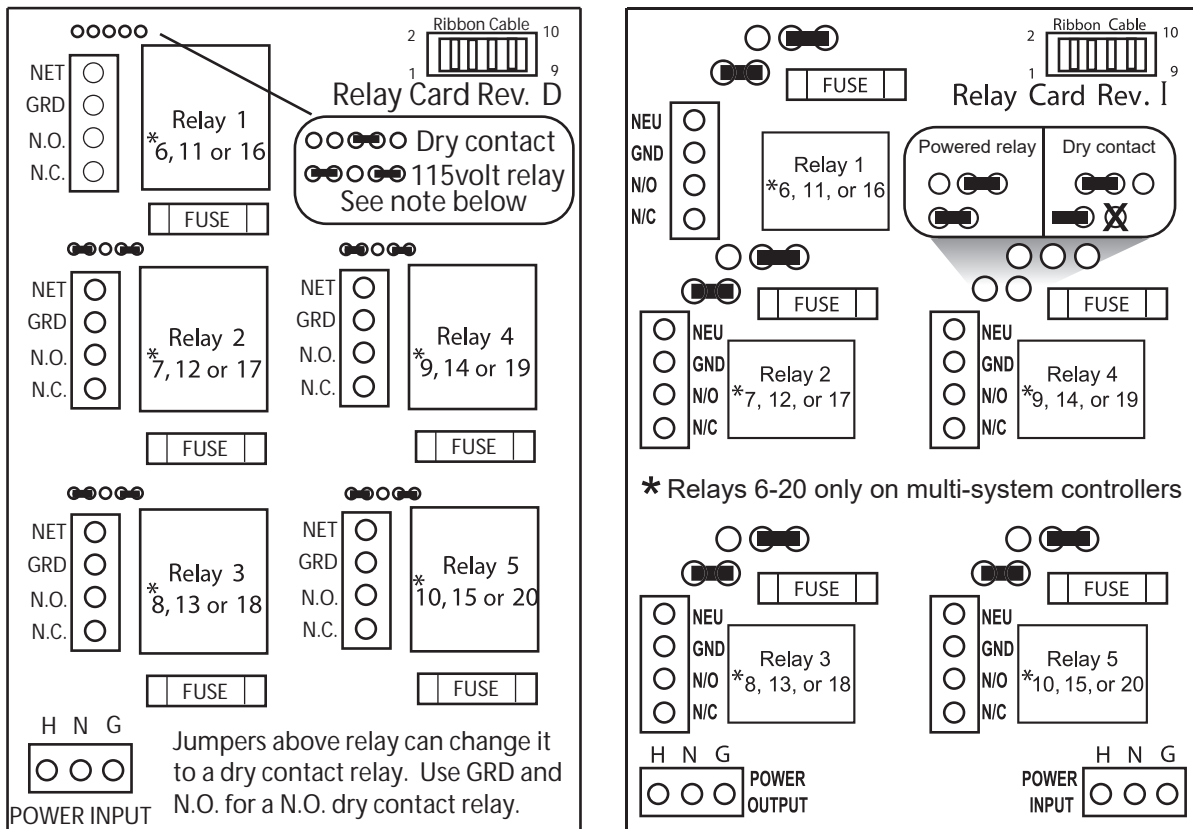
## Conduit

Conduit units are predrilled at the factory and supplied with conduit knockouts for easy hard wiring to supplied detachable connectors on the relay card(s) located in the lower section of the controller. Remove the six screws of the lower panel for access.

## NOTES:

1. **Do not drill holes in upper section of enclosure.**
2. Relay 1, 6, 11 or 16 (if supplied) only provide a normally open (N.O.) relay output on relay cards marked Rev B. Revision C of the relay card has both a (N.O. and N.C.) If a N.O. and N.C. are required on a Rev. B card, use one of the other relays and program that relay to be controlled by the desired control function. See page 24.
3. The control function that activates each relay output is pre-configured at the factory based on the options selected. To change relay activation see on page 24.
4. See page 30 for common bleed / blowdown valve wiring.
5. Refer to label inside lower panel cover for specific relay board configuration supplied.
6. Relays configured as "dry contact" should only have D.C. voltage ran through them.

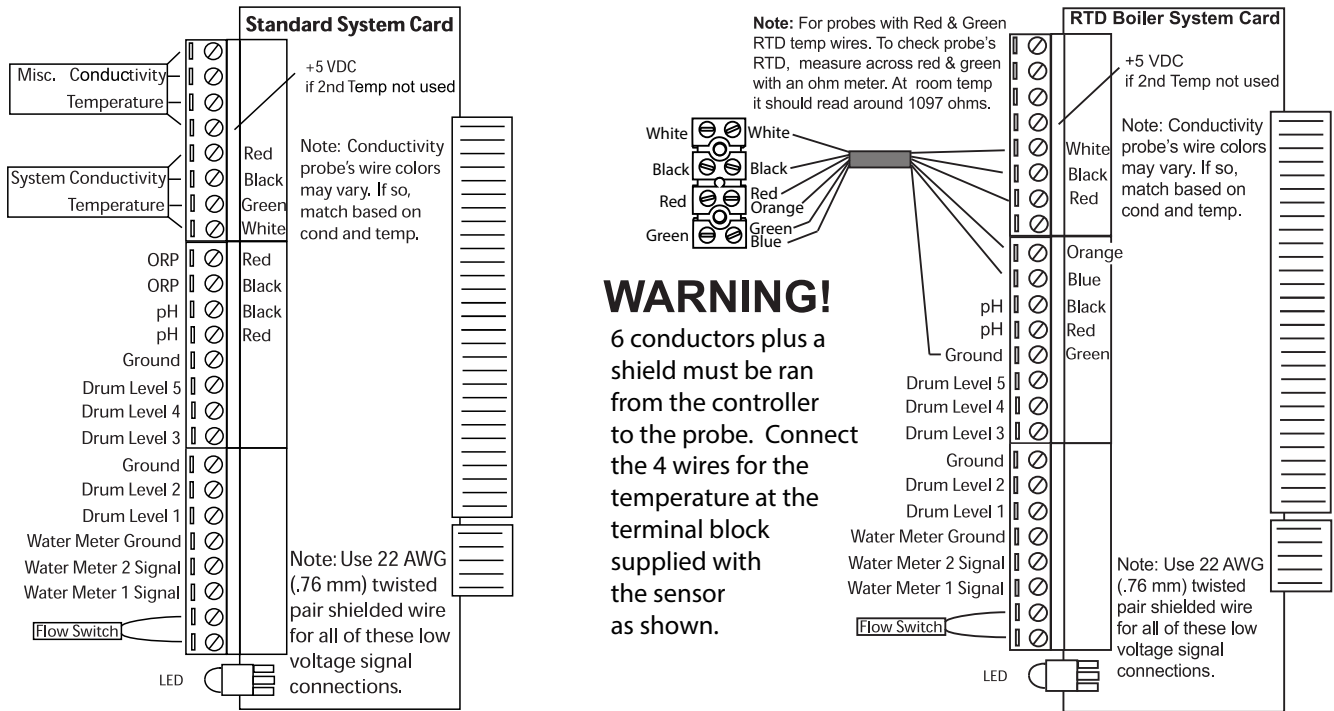
## Relay Card Wiring



If a whole card is configured for dry contact relays output each relay will be like the top one as shown on the Rev. C card.

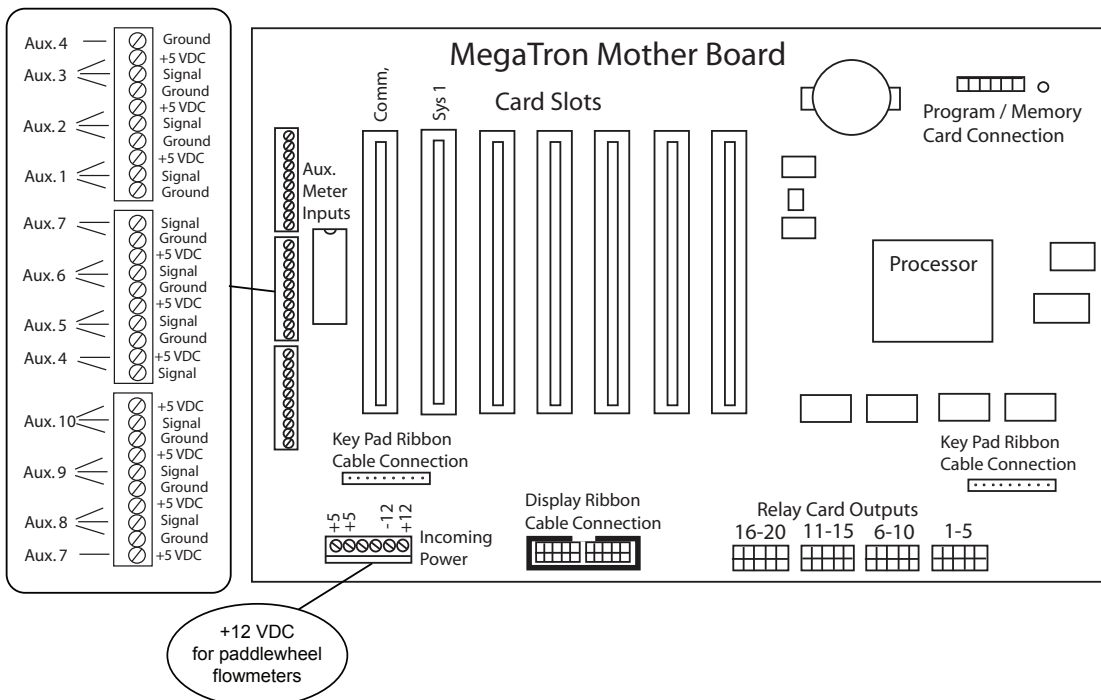
# System Card Wiring

To wire directly to the system cards the following diagram indicates all connections for the two styles of system cards. This requires removal of display panel and power must be off.



# Mother Board Connections

The communications card is always the first slot and system 1 card the second. The 4-20mA output card will be the slot after the last active system card and the 4-20mA input card 2 after the last system card.



## 4-20mA Output Card Wiring

### A. Isolated Configuration

For isolated 4-20mA outputs an external power source for the loop must be supplied. JP1 and JP2 on the board must not be jumpered when an external power source is being supplied. The external power source must not exceed 24 volts DC and will connect onto the card on connector J1 on the position marked Loop Supply.

### B. Non-isolated Configuration

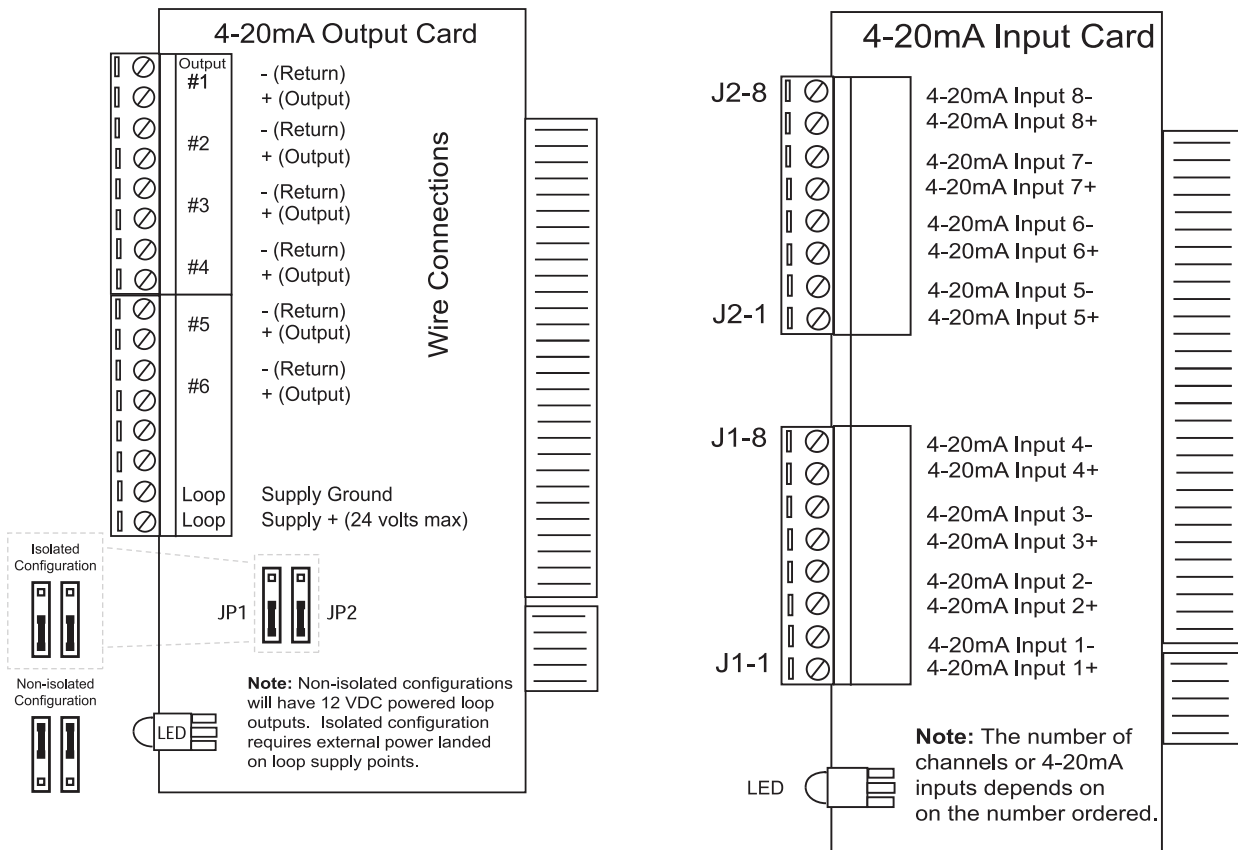
For non-isolated 4-20mA outputs the controller will supply the power for the loop. JP1 and JP2 must be jumpered and no connections are made to the Loop Supply points.

### NOTES:

1. If multiple outputs are being connected to a single energy management system, the negatives or commons MUST remain isolated from each other. **Does not apply to Rev. D or later.**
2. The power for the mA output loop is always provided by the controller with either isolated or non-isolated configuration.

## 4-20mA Input Card Wiring

The 4-20mA input card requires that the external device sending the 4-20mA input signal(s) supply the power for the loop. The external power source must not exceed 24 volts DC.





## **Electrode Installation**

MegaTron controllers may come configured for various circulating water systems. Listed below are instructions for cooling tower and boiler typical installations. Your specific installation requirements may differ but should conform to these instructions as much as possible for proper operation.

### **A. Cooling Tower**

The standard probe(s) and/or flow assembly for cooling tower installations is constructed of schedule 80 PVC and supplied with 3/4" slip fittings for installing into a sample line. To insure proper operation the sample line must have a flow rate of 3-10 gpm. Inlet pressure must be higher than outlet pressure in order for water to flow past the electrode(s) to achieve the required rate. The probes are temperature compensated for increased accuracy.

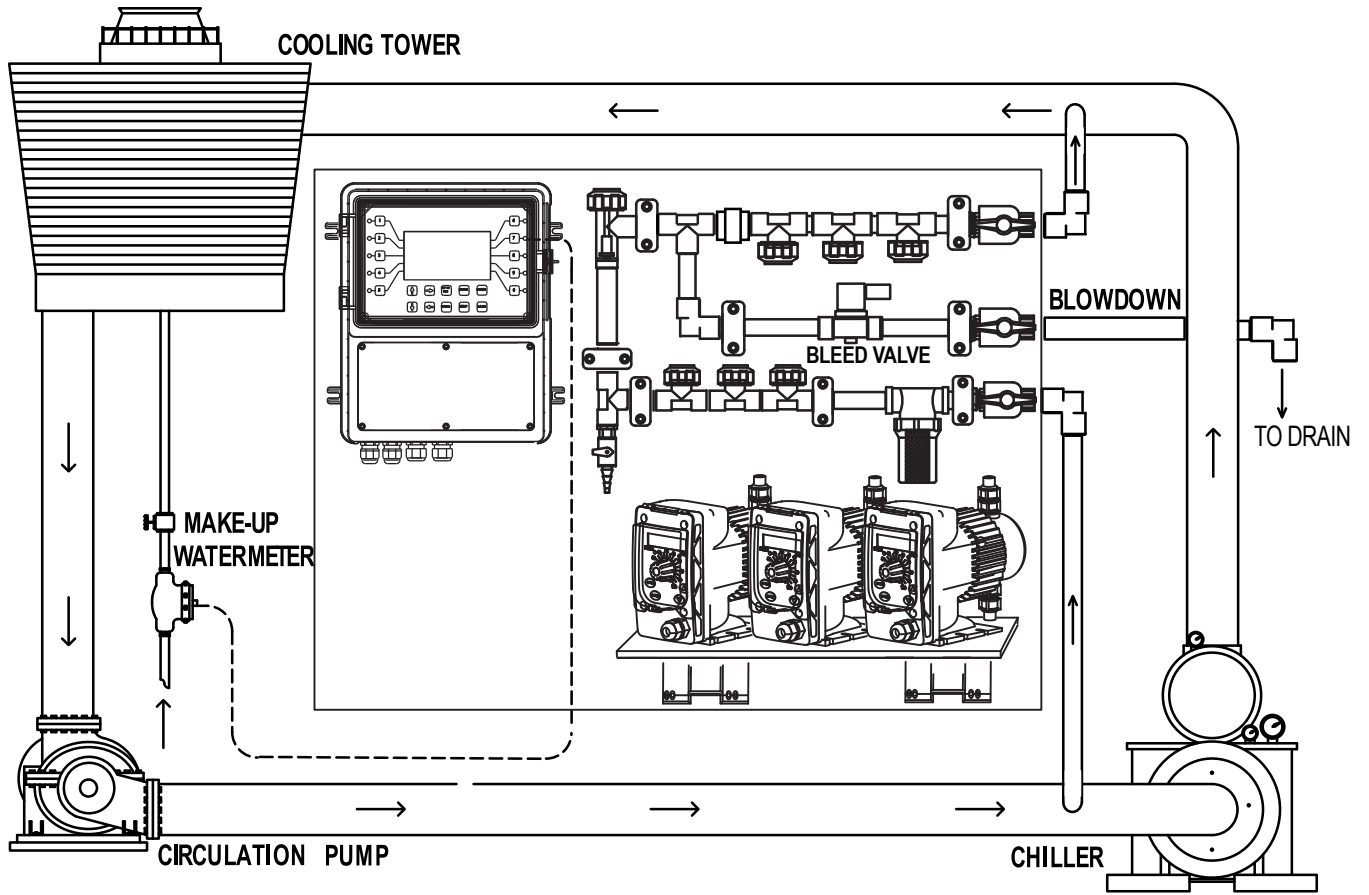
#### **NOTES:**

- 1. Install an isolation valve on either side of the flow assembly so electrodes can be easily isolated for removal and cleaning.**
- 2. A line strainer is recommended upstream from the probes to protect against fouling and damage.**
- 3. Mount pH or ORP electrodes vertically.**
- 4. Green solution reference wire must be connected to either pH or ORP sensor. If both pH & ORP are present on system card, only one solution reference connection is needed.**
- 5. Systems with a flow switch require 2-3 gpm flow rate to operate outputs.**

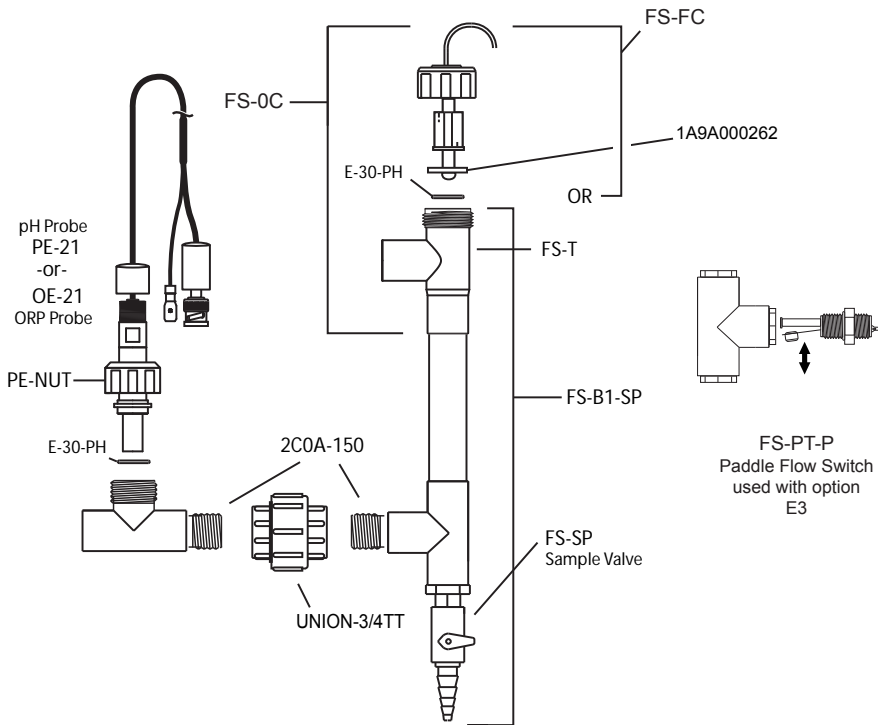
#### **WARNINGS:**

- 1. Electrodes are O-ring sealed, which if damaged will cause a leak.**
- 2. Do not allow pH sensor tips to dry out, damage will occur.**
- 3. Do not exceed a water temperature range of 32°F to 140°F.**
- 4. Do not exceed a maximum pressure of 150 psi.**

# Typical Cooling Tower Installation Diagram



# Cooling Tower Probe Assembly



## Standard Tower Probes

Conductivity .....	E-4A
pH .....	PE-2
ORP .....	OE-2

## B. Boiler

Standard boiler electrodes have a MNPT stainless steel bushing and are supplied with a FNPT cross designed for mounting in the skimmer (surface) blowdown line. Sampling of the boiler's water can be achieved using one of two typical plumbing configurations (continuous sampling or timed and/or hold sampling). For a successful installation, it is critical to observe the recommended distances and pipe sizes provided in the installation drawings. The probes are temperature compensated for increased accuracy.

For best results, the electrode cross should be mounted in a 1" skimmer blowdown line within 4' of the boiler. Smaller line sizes and greater distances may affect the response time and accuracy of the electrode. A flow-throttling device down stream from the probe (within 24 inches) is required to ensure that the electrode is exposed to water and not steam. Properly installed and adjusted, this device will prevent flashing in the electrode chamber.

### NOTES:

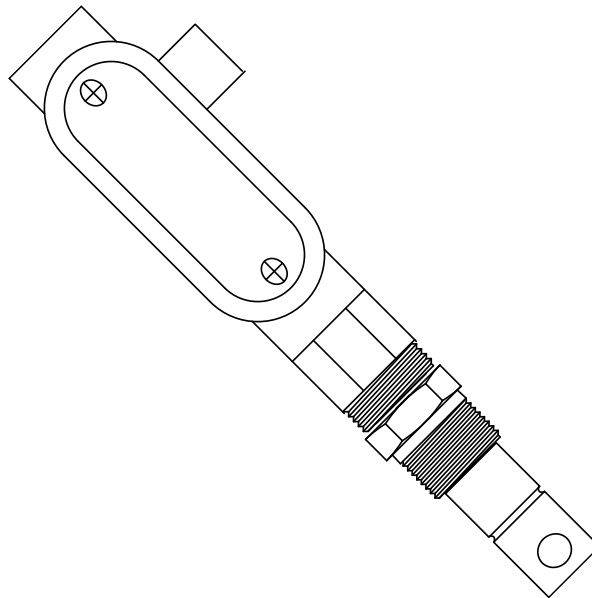
1. **Install a fully ported type valve between the electrode and the boiler. This allows the electrode to be isolated for removal and cleaning.**
2. **A flushing line and 1/4 turn type ball valve should be installed in the bottom of the cross to periodically "flush" sediment from the electrode chamber.**
3. **Make sure the alignment arrows on the probe end up parallel to the flow for best performance.**

### WARNINGS:

1. **The probe must be fully immersed in the system water to read correctly. Steam flashing will result in incorrect readings.**
2. **Do not exceed a maximum water temperature of 400°F (204°C)**
3. **Do not exceed a maximum pressure of 300 psi (20.6 bar)**
4. **A throttling device must be installed down stream from the electrode.**

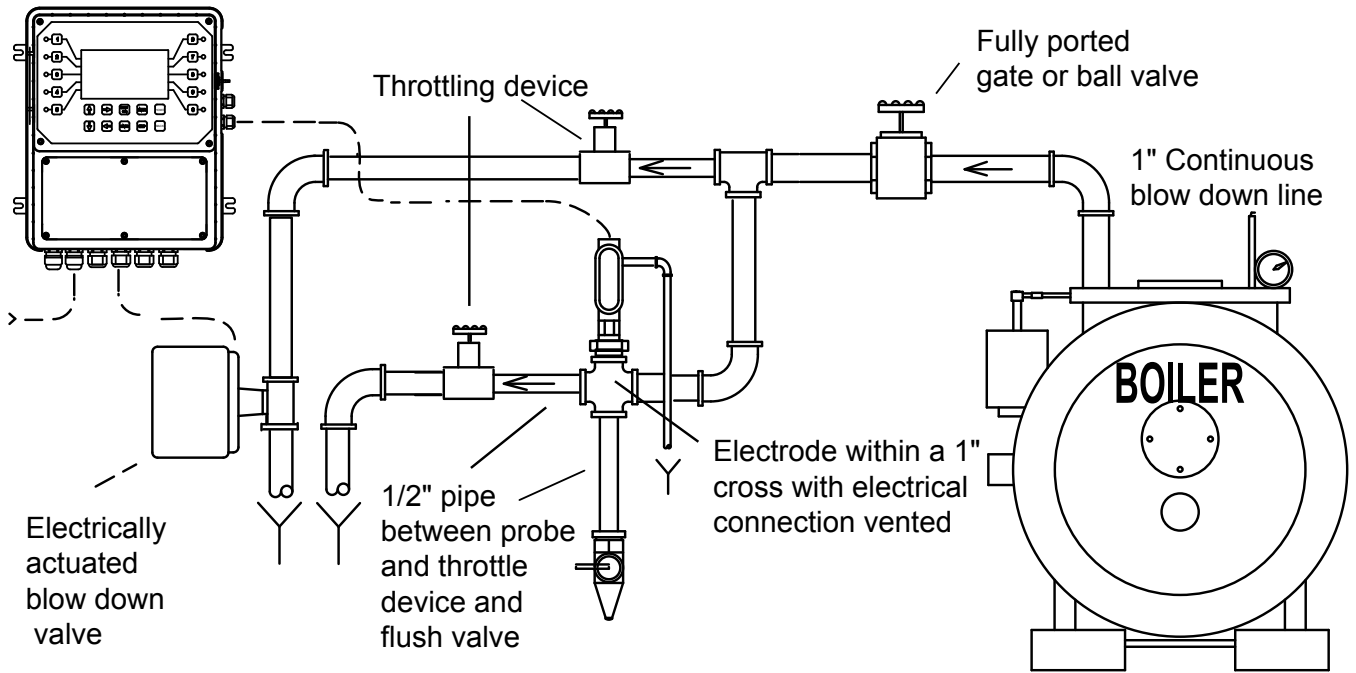
## Boiler Conductivity Electrodes

BE-4RTD and BE-32



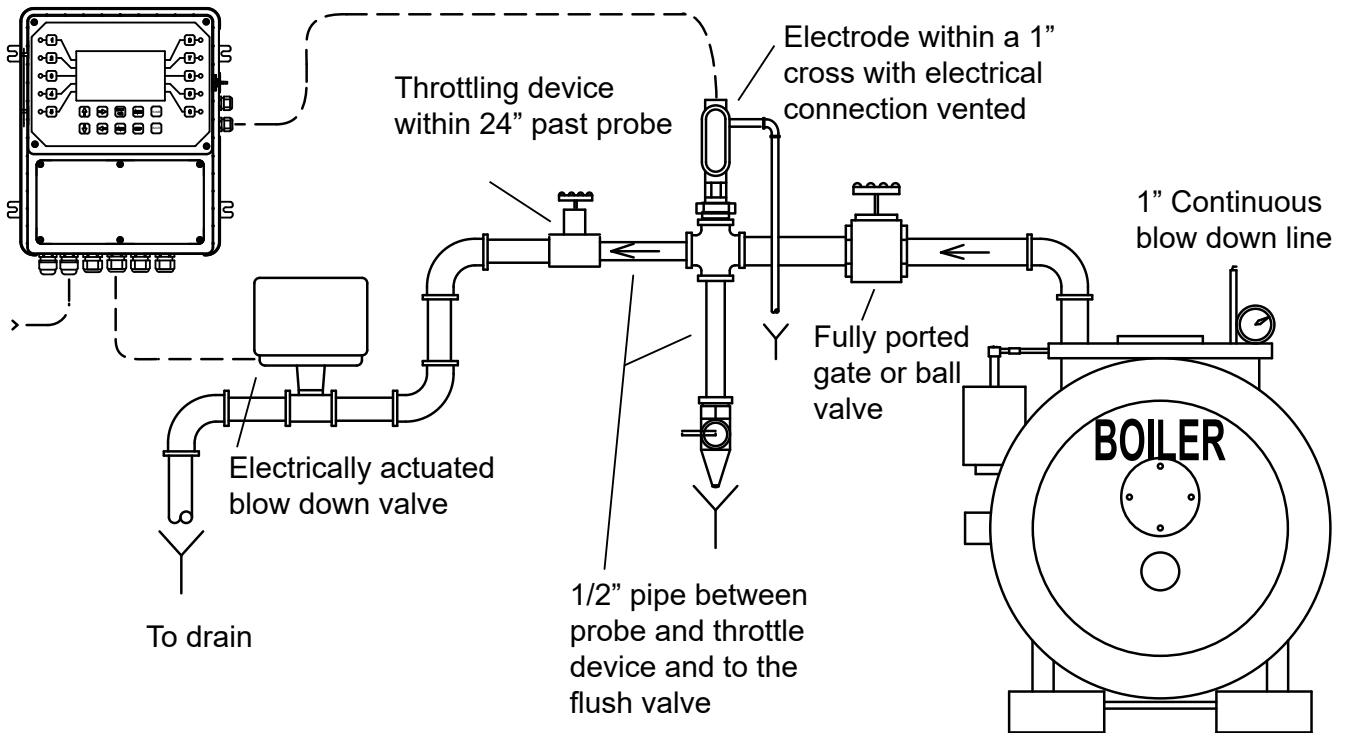
**Wiring Note:** BE-4RTD probes require a 6 conductor cable from controller to probe, BE-32 probes only require a 2 conductor cable.

## Boiler Conductivity Electrodes



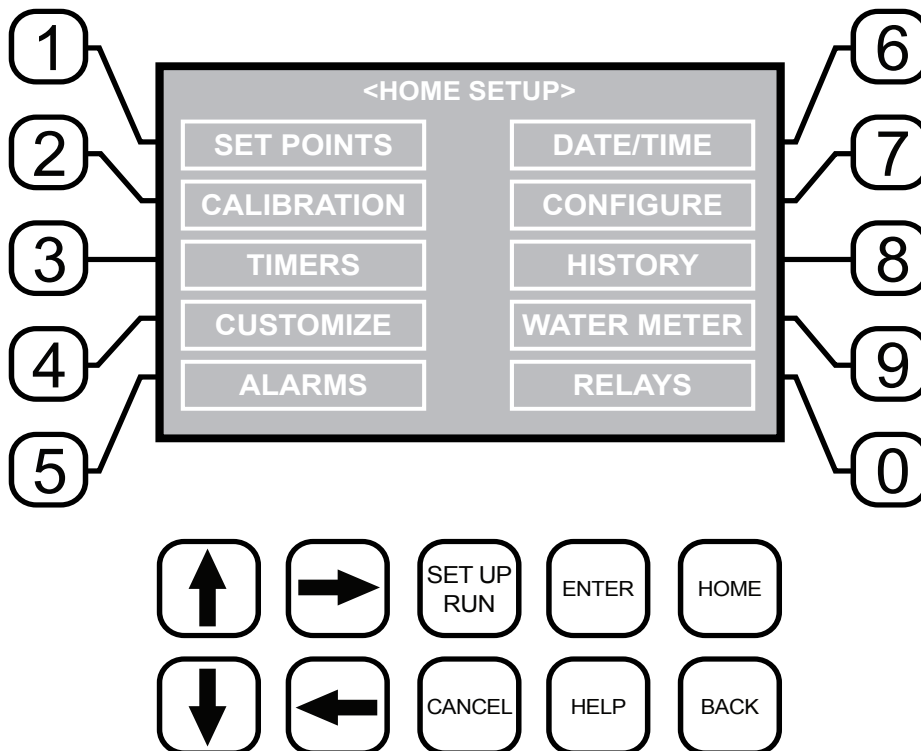
**Warning - Do not use on bottom blowdown lines, only continuous or surface blowdown lines.**

## Typical Timed Sampling and Sample and Hold Boiler Installation



**Warning - Do not use on bottom blowdown lines, only continuous or surface blowdown lines.**

### III. Front Panel Description



- NUMBER Keys- Used to enter new values in the SET UP mode and to access desired sub menus.
- UP/DOWN - Used to cycle through text options to find desired setting.
- LEFT/RIGHT - Used to cycle through text or setting options to find desired setting.
- SET UP/RUN - System initializes into RUN mode. Press this key to put the controller in SET UP Mode and see HOME menu page.
- ENTER - Used to log a changed value into program.
- HOME - Used to go back to the HOME menu page.
- CANCEL - Used to cancel a pop-up screen if no change is desired.
- HELP - Used to access help screens.
- BACK - Used to go back to last menu screen viewed or clear values keyed in that are not wanted.

## IV. System Operation Overview

### Operation

MegaTron controllers have two modes of operation, RUN and SET-UP.

**RUN** - This mode is for normal operation. In the RUN mode the display will show each system's parameters. If an alarm is present the ALARM box will flash how many alarms are present. No settings may be entered or changed in the RUN mode. Readings are updated every 6 seconds on the screen while in the RUN mode.

**SET-UP** - This mode is used to make adjustments to settings and readings on the controller. To access the SET UP mode from the RUN screen, press the SETUP/RUN key.

### Typical Start Up Instruction

Complete all installation steps before beginning this procedure. Ensure that all controlled devices (pumps, solenoid valves, etc.) are operational and connected to the controller. Open the isolation valves to allow water to pass through the sample stream assembly. Before beginning the start up procedure, familiarize yourself with the programming and operation of the system by reviewing the menus available. Use the keys of the controller to skim through all your options.

#### A. Calibration

All MegaTron controllers are factory calibrated for temperature, conductivity, pH and ORP. All units are shipped with the date preset, and the clock set to your current time. These readings and settings should be verified for accuracy, and adjusted as per the instructions listed below.

1. **Conductivity** - To calibrate the conductivity reading, remove the electrode from the line and wipe the flat surface with a clean cloth. Re-install the electrode and open the isolation valves to allow a sample across the probe. Be sure to allow the reading to stabilize for one minute. Select "SYSTEM COND" from the "CALIBRATION" menu. Then key in the corrected conductivity value. Press ENTER to log in that reading.
2. **pH** - Under normal operating conditions, pH calibration is achieved using the following steps. From the "CALIBRATION" menu, select "SYSTEM PH." Enter the correct pH value. Press ENTER to log in the new reading.
3. **ORP** - To calibrate ORP, from the CALIBRATION menu select "SYSTEM ORP". Compare the displayed reading to the actual system ORP. If these readings do not match, key in the correct ORP value, and push ENTER.

There are limits to how much the calibration can be adjusted. The instrument will only accept new conductivity values which are from 1/3 to 8x the present reading. Any entry outside this range will cause a default to the original reading. If this happens, call 1-800-743-7431 for technical assistance.

## V. Menu Navigation

To access the menus press the Set Up / Run key on the front panel. This takes you to the Home menu. MegaTron controller's menus are easily navigated by pressing the associated number key next to a menu box on the screen. Once you have stepped through the sub menus to reach a point at which a value or selection is made a Pop-up window will appear prompting you to enter a desired value or selection.

**NOTE:** When entering new numeric values, enter all available digits (characters).

### 1. Home Menu

>HOME SETUP<	
SETPOINTS	DATE/TIME
CALIBRATION	CONFIGURE
TIMERS	HISTORY
CUSTOMIZE	WATER METER
ALARMS	RELAYS

From the **HOME** menu select the desired menu. The menu name explains what parameters can be programmed in the menu.

<b>SET POINTS -</b>	Setting control set points for conductivity, temperature, pH and ORP.
<b>CALIBRATION -</b>	Calibrating conductivity, temperature, pH and ORP if present.
<b>TIMERS -</b>	Menu for selecting type and settings for all present feed timers.
<b>CUSTOMIZE -</b>	Giving the controller, each system and all relays a user defined name.
<b>ALARMS -</b>	View current alarms.
<b>DAY/TIME -</b>	Menu for setting date and time.
<b>CONFIGURE -</b>	Menus for configuring passwords, relay activations, setting history interval, flow switch, contrast, temperature scale.
<b>HISTORY -</b>	Allows for view history on board in a graph form.
<b>WATER METER -</b>	Menu for configuring water meter totalizing.
<b>RELAYS -</b>	Menu for resetting accumulated "ON" times and manual activation.

### 2. Set Points

The same basic format is used for defining each available analog probe input's control parameters. Boiler conductivity systems will also have an additional menu step for programming the sampling method desired from continuous, timed or sample and hold.

>SYSTEM 1 SET POINTS<	
SYSTEM COND	mA OUT
SYSTEM TEMP	mA IN
SYSTEM pH	AUX INPUTS
SYSTEM ORP	

**SET POINTS -** For setting the relay set points for the available analog probe readings such as conductivity, pH, ORP or temperature.

If there is more than one System present you first select which system's values are to be adjusted. After the system and function is selected a review page is

provided to show current settings. Select SETTINGS to access each set point menu option.

**NOTE:** In the Setpoint pop-up screen the direction (Rising or Falling) of the setpoint can also be set. Rising setpoints will activate the control relay when the particular probe reading rises above the setpoint and will stay activated until the reading comes down by the amount of the differential. If set for Falling the relay is activated when the probe reading falls below the setpoint and stays on until the probe reading comes back up by the amount of the differential.

## 2.1 Set Point Options

```
>SYSTEM 1 COND SETPOINT<
SET POINT
DIFFERENTIAL
HIGH ALARM
LOW ALARM
LIMIT TIME
```

**SET POINT** - What reading turns the relay on  
**DIFFERENTIAL** - Amount reading changes by before the relay is turned off  
**HIGH ALARM** - What reading generates a High alarm notification.  
**LOW ALARM** - What reading generates a Low alarm notification.  
**LIMIT TIMER** - What amount of continuous bleeding will generate a time alarm notice. The bleed is not locked-out by this alarm (pH, ORP and mA in functions are).

**Note:** Each alarm value can also be set-up to be displayed or not on the front screen as well as remotely notified or not if connected to the Web Advantage server.

## 2.2 Make-up or Miscellaneous Conductivity

Tower systems with this option have an additional menu on the review page labeled SAMPLE METHOD. The sample method pop-up screen allows the user to select continuous or cycles control. With cycles selected under Settings a best and worst cycles value is attached to a best and worst make-up conductivity value. The controller will control the cycles proportionally between the two cycles values as the make up conductivity changes between the two identified values.

```
>SYSTEM 1 COND SETPOINT<
DIFFERENTIAL
HIGH ALARM
LOW ALARM
LIMIT TIME
BEST MAKEUP
BEST CYCLES
WORST MAKEUP
WORST CYCLES
SYSTEM MAX
```

**BEST MAKEUP** - Conductivity of best expected makeup water.  
**BEST CYCLES** - Cycles desired with best water.  
**WORST MAKEUP** - Worst expected water.  
**WORST CYCLES** - Cycles with worst water.  
**SYSTEM MAX** - A fixed conductivity set point that overrides the cycles setpoint if reached.

**Note:** If continuous is selected the standard settings are used for system conductivity and the miscellaneous conductivity (labeled M COND) is the set points menus.

## 2.3 pH and ORP

The pH and ORP set point settings follow the same format as shown above in section 2.1.

```
>SYSTEM 1 pH SETPOINT<
SET POINT
DIFFERENTIAL
HIGH ALARM
LOW ALARM
LIMIT TIME
INTERRUPT
SET POINT 2
```

**INTERRUPT** - Only applies to pH settings and allows the Interruption of pH control during bleed, other chemical feed or both.  
**SET POINT 2** - Is only present on systems with Dual pH control option. It is a second set point for applications when an acid and caustic are required. Set Point 1 will be for feeding acid and Set Point 2 for feeding caustic.

**Note:** When the Limit Time value is met it will force off the control relay being driven by pH or ORP. To reset the limit timer and get the control relay active again enter a new Limit Timer value.



## 2.4 Boiler Conductivity

Conductivity on boiler systems can be configured for Timed Sampling, Sample and Hold or Continuous for the conductivity sampling method.

**Timed sampling** incorporates a sample timer which allows the boiler to be sampled at periodic intervals. Sample intervals are adjustable from 1 minute to 99 hours, 59 min. Sample duration (on-time) is adjustable from 1 second to 99 minutes, 59 seconds.

**Sample and hold** uses a sample timer for periodic sampling intervals. The unit will sample for its duration then hold the blowdown valve closed for a settable period (hold time). The conductivity is checked at the end of the hold period, if additional blowdown is required the blowdown valve is held open for a preset amount of time (blowdown time). Then sample cycle is repeated.

**Pulse Sample** allows the use of a defined "pulse" type feed timer to initiate a sample based on make-up water instead of the sample interval timer.

**Continuous sample** has a sample of boiler or condensate water go past the probe continuously. If the reading is above the set point, blowdown will continue until the set point has been satisfied.

>SYSTEM 1 COND SETPOINT<	
SET POINT	SAMPLE INT
DIFFERENTIAL	SAMPLE DUR
HIGH ALARM	HOLD TIME
LOW ALARM	BLOWDOWN

**SET POINT** - What reading turns the relay on  
**DIFFERENTIAL** - Amount reading changes by before the relay is turned off  
**HIGH ALARM** - What reading generates a High alarm notification.  
**LOW ALARM** - What reading generates a Low alarm notification.  
**SAMPLE INT** - Period between samples.  
**SAMPLE DUR** - How long a sample lasts.  
**HOLD TIME** - How long a hold lasts.  
**BLOWDOWN** - How long to blowdown if reading is above the set point after the hold. Hold repeated after BLOWDOWN time.

## 2.5 Aux Inputs

Auxiliary inputs are the digital inputs for optional Flow Switch and other digital inputs such as low drum level alarms. From these menus the user can set if they want each of the alarms Displayed, Remote Notification, both or none.

>SYSTEM 1 DIGITAL INPUTS ALARM<	
ALARM NOTIFICATION	DIGITAL 1
FLOW SW = DISPLAY	DIGITAL 2
DIGITAL 1 = DISPLAY	DIGITAL 3
	DIGITAL 4
FLOW ALARM	DIGITAL 5

## 2.6 4-20mA Out

Units with a 4-20mA output option will have a menu for setting up the 4-20mA output. The 4mA and 20mA values can be defined by giving the output proportioning capability. i.e. 4mA = a pH of 6.0 and 20mA = a pH of 8.0.

```
>OUT 1 SETUP<
SIGNAL SOURCE
4mA VALUE
20mA VALUE
```

**SIGNAL SOURCE** - Select which probe reading the mA will use as its reading source.

**4 mA VALUE** - What the 4mA signal equals

**20mA VALUE** - What the 20mA signal equals on the assigned signal sources scale.

## 2.7 4-20mA Input

```
>mA INPUT 1 SETPOINT<
SET POINT
DIFFERENTIAL
HIGH ALARM
LOW ALARM
```

**SET POINT** - What reading turns the relay on

**DIFFERENTIAL** - Amount reading changes by before the relay is turned off

**HIGH ALARM** - What reading generates a High alarm notification.

**LOW ALARM** - What reading generates a Low alarm notification.

## 3. Calibration

Calibration is for adjusting the displayed value of a probes reading to match your tester or known solution. Pick the system or mA input first. From a particular system pick the probe to calibrate.

```
>SYSTEM 1 CALIBRATION<
SYSTEM COND
SYSTEM TEMP
SYSTEM pH
SYSTEM ORP
```

**CALIBRATION** - For adjusting the actual reading values of the available analog probe inputs, such as conductivity, pH, ORP or temperature.

### 3.1 Conductivity Calibration

```
>SYSTEM 1 COND CALIBRATION<
CALIBRATE           Cal Factor 1.10
RESET ZERO
```

**CALIBRATE** - With a clean probe on-line seeing the system's water enter the known (tested from a calibrated hand held tester) value.

**RESET ZERO** - With the probe out of solution and dry enter a new zero point. Note: Probe must be dry!

**NOTE:** In the calibration pop-up window the raw analog to digital (A/D) value will be displayed. A new calibration value should only be entered when the probe is sensing a stable A/D value. If the system is a boiler the associated relay can be forced on in the pop-up to allow for a fresh hot sample. Boiler probes should have fresh hot water blown past them for a minimum of 2 minutes before calibrating. **The A/D reading has a range of 0 to 32,767. If it is at one end of the range or the other when trying to calibrate something is wrong with the probe or wire run.**

### 3.2 pH and ORP Calibration

>SYSTEM 1 pH CALIBRATION<

1 POINT CAL  
2 POINT CAL

**1 POINT** - With a clean probe on-line seeing the system's water enter the known (tested from a calibrated hand held tester) value.

**2 POINT** - Enter a known Low value with a clean probe in a buffer solution. Then enter a known High value with the clean probe in a buffer.

- Notes:**
1. Probes must be rinsed between buffers when doing a 2 Point calibration and given at least 30 seconds in solution to adjust to the buffer.
  2. There must be at least 2 full pH points between buffer solutions. Using a buffer of 4 and 10 is the best procedure. ORP buffers should be at least 200 points apart.

### 3.3 4-20mA Output Calibration

>CURRENT LOOP CALIBRATION<

OUTPUT 1  
OUTPUT 2

4-20mA outputs can be calibrated to insure that the output generated by the controller and received by the external device match. With a volt meter connected across the out and return wires (see page 7) of the 4-20mA output channel to be calibrated go into the output's Low or High calibration.

>mA OUTPUT 1 CALIBRATION<

HIGH 4030  
LOW 800

The number displayed in the Calibration dialog box can range from 0-4095 with 800 equal to 0 mA output and 4030 equal to 20 mA. This number range of 0-4095 is the raw digital to analog (D/A) values and is strictly used for a reference. The D / A numbers you get will vary based on your installation conditions.

>mA OUTPUT 1 CALIBRATION<

OUTPUT 1 CAL HIGH  
4000  
Use Up/Down arrows to change  
Use Enter to save value

While in the High or Low calibration pop-up screen use the up and down arrows to change the output value being read with the volt meter. Adjust the High value for the 20 mA reading and the Low value for the 4 mA value.

### 3.4 4-20mA Input Calibration

4-20mA inputs can be calibrated to insure that the input seen by the controller from the external device match. It also allows for setting the 4-20mA input into a number range that relates to the value being read.

```
>CURRENT LOOP CALIBRATION<
INPUT 1
INPUT 2
```

Select the Input to be calibrated

```
>mA INPUT 1 CALIBRATION<
20mA          3750
4mA           750
MAX            200
LOW            0
OFFSET        DISABLED
```

```
>mA INPUT 1 20mA CAL<
INPUT 1 CAL HIGH
3750 A/D
PUT 20mA ON INPUT THEN
PRESS ENTER
```

The **20mA** and **4mA** values are where the controller's raw analog to digital value is adjusted to match a 20mA (full scale) and 4mA (bottom of scale) signal from the external device inputting the 4-20mA input. The external device must be connected to the controller and showing either full scale or bottom of scale when calibrating each. The number shown along with either the 20mA or 4mA while calibrating is the raw A/D value and is only a reference. A 20mA input should be around 3750 and 4mA around 750. If the A/D numbers are not in this range check input device.

The **MAX** and **LOW** calibration inputs are for telling the controller what to display for a 20mA input and a 4mA input. For example if the input is a drum level sensor monitoring a 55 gallon drum the value for MAX should be 55 and LOW should be 0. The controller then displays a number automatically ranging between 55 and 0 based on the input value. The units of measure (gallons for example) is set in the Customize menu from the Home page.

**OFFSET** - Offsets current displayed value of the 4-20mA input reading to allow for a manual 1pt calibration.

### 4. Timers

A unit may have up to 5 selectable timers for each system on a controller. All timers are associated with their system, so for a % of post bleed timer looks at the bleed of that system.

```
>SYSTEM 1 TIMERS<
TIMER 1
TIMER 2
TIMER 3
TIMER 4
TIMER 5
```

**TIMERS** - Select the type (28-day, pulse, limit, percent or percent of post blowdown) as well as the run times of each timer available per system.

## 4.1 Timer Type Selection

A pop-up screen lets you scroll through the various timer types available.

```
>SYSTEM 1 TIMER 1 SET UP<
  >SET TIMER TYPE (PULSE)<
    -> PULSE
  USE UP/DOWN KEYS TO CHANGE
  PRESS ENTER TO ACCEPT

SET UP                                TIMER TYPE
```

**Pulse** - A water meter activated timer

**Limit** - Feed with bleed with a maximum run time or limit for one bleed cycle.

**Percent** - A continuous cycle timer that sets a percentage On time of a cycle.

**Percent Post Bleed** - For feed after bleed for a settable percentage of the bleed time with a maximum run time.

**28-Day** - A biocide or event timer.

## 4.2 Timer Set Up

```
>SYSTEM 1 TIMER 1 SET UP<
TIMER TYPE:  PULSE
RUN TIME     GALLONS: 10
              (MM:SS): 01:00
INPUT:       WATER METER 1

SET UP                                TIMER TYPE
```

Each timer type selected will have its own unique Set Up sub menu with additional selections specific to the type of timer selected. The page displayed before entering the Set Up menu of a timer provides an overall review of the timers current settings.

## 4.3 Pulse Timer

```
>SYSTEM 1 TIMER 1 CHANGE<
ACCUMULATE
RUN TIME
METER INPUT                BLEED INTR
```

**ACCUMULATE** - The number of gallons or liters from water meter to count before activating timer.

**RUN TIME** - The amount of time for the timer to run

**METER INPUT** - Select water meter 1 or 2 for the timer's activation. Water meter 1 + 2 can be selected only if the meters have the same contact value.

**BLEED INTR** - Allows the pulse timer to be interrupted during conductivity bleed. While interrupted, you can also define the maximum number of timer run cycles (1-9) to store for playback.

## 4.4 Percent Timer

```
>SYSTEM 1 TIMER 1 CHANGE<
% OF CYCLE
CYCLE TIME
```

**% of CYCLE** - The percent of the defined cycle time that the timer is to be on.

**CYCLE TIME** - The amount of time in MM:SS that the cycle is going to be on.

#### 4.5 Post Bleed Timer

```
>SYSTEM 1 TIMER 1 CHANGE<
% OF BLEED
LIMIT TIME
SOURCE
```

**% of BLEED** - The % of the post bleed time or other source time that you want the timer to run.  
**LIMIT TIMER** - The limit timer is a safety feature that limits a single feed cycle to the amount of time set regardless of the calculated post feed %.  
**SOURCE** - Select between cond. bleed, another timer or digital input as the time source.

#### 4.6 With Bleed Timer

```
>SYSTEM 1 TIMER 1 CHANGE<
LIMIT TIME
```

**LIMIT TIMER** - This timer starts when the conductivity bleed starts and turns off when the bleed stops or until the limit time has been reached. The time can be set in MM:SS.

#### 4.7 28-Day Timer

Each 28-day timer has Program 1-4 for programming the various feed times. While the programming steps for four programs are the same each can have it's own independent settings.

```
>SYSTEM 1 TIMER 1 CHANGE<
WEEKS                MIN COND
DAYS                 FEED LOCK
START TIME           BLEED LOCK
RUN TIME             FLOW LOCK
PREBLEED             ORP LOCK
```

**Note:** ORP lock is only for systems with the ORP function. If interlocked the ORP set point will control the 28-day timer's relay On and OFF during the timer's programmed RUN time. The ORP will need to have a 00:00 setting for it's limit timer.

**WEEKS** - The week(s) that the timer is to feed.  
**DAYS** - The day(s) that the timer is to feed.  
**START** - The time of day for the timer to start.  
**RUN** - How long the timer is to run.  
**PREBLEED** - How long the controller is to bleed down before feeding in chemical. NOTE: The prebleed starts at the START time programmed above.  
**MIN COND** - The minimum conductivity that the unit will prebleed down to.  
**FEED LOCK** - Which other system timer to lockout during this timer's run time.  
**BLEED LOCK** - How long to lock out the bleed function after the timer's run time starts.  
**FLOW LOCK** - If the system has a flow switch you can ignore it for this timer.

## 5. Customize

This menu allows the user to define the on-screen name of the unit plus the name of each system and relay. The user can also setup the Notepad for each system and 4-20mA Input's name and unit of measurement.

```
>CUSTOMIZE<
UNIT NAMES
RELAY NAMES          NOTEPAD
SYSTEM 1 NAME        pH INDEX
                     mA IN
                     RUN SCREEN
```

**RUN SCREEN** - Allows the user to select what will be shown on the screen while the controller is in the RUN mode. Like displaying temperature readings or water meter totals for a particular system.

**NOTE:** When entering values for custom names use the numerical keys for numbers and the up / down arrows to scroll through all the characters of a key board. Press the right arrow to advance the cursor after setting a desired value. Press the Help button to place the last entered character into the new cursor space to speed up the process. The Help button will also jump advance through the characters.

### 5.1 Notepad

The Notepad function allows the user to set up a customized manually entered data field for each system with ten notepad items. The NOTEPAD is ideal for setting up and storing into the controller's history the items typically tested for reporting a service call. The Notepad items come with no names but when an individual note is selected a menu for setting it appears.

Also can be used as a Reminder Timer with or without flow.

```
>NOTEPAD SYS 1 NOTE 1<
NAME
NUMBER
UNITS
ALARMS
```

**NAME** - Pick from a list of defined names or customize your own.

**NUMBER** - Set the number range.

**UNITS** - Set the units of measurement.

**ALARMS** - Set Hi/Low alarm points and how frequently a new value is expected to be manually enter via the History menu.

### 5.2 mA Inputs

```
>mA INPUT 1 CUSTOMIZE<
NAME
UNITS
NUMBER
```

**NAME** - Name the input.

**UNITS** - Set the units of measurement.

**NUMBER** - Set the number range.

### 5.3 pH Index

If the controller has the pH index option (must have pH control) user can select LSI or RSI indexing. The controller will automatically set some Notepad entries for manually inputting needed data to perform the calculation which will be displayed in the RUN screens.

## 6. Alarms

```
>ALARMS<
SYS 1 ALARMS
```

**ALARMS** - Shows any current alarms.

## 7. Date and Time Set Up

```
>SET DATE AND TIMES<
SET DATE
SET TIME
SET DAY
SET WEEK
Friday May 14, 2005 03:04:56
```

**DATE AND TIME** - For setting the date, time, day and week on the controller.

## 8. Configure

Provides access to menus to set-up passwords, relay activation, temp scale, display contrast, flow switch, inputs, history time stamps, factory set-up and system information.

```
>CONFIGURE<
PASSWORD          CONTRAST
RELAYS            TEMP SCALE
                  NETWORK
HISTORY           SYS INFO
FLOW SW          FACTORY
```

**CONTRAST** - This screen allows for adjusting the display contrast.

**FLOW SW** - Defines a flow switch to be open or closed with flow.

**FACTORY** - A factory only menu

**TEMP SCALE** - Set Celsius or Fahrenheit

**HISTORY** - Sets the history time stamp interval.

**SYS INFO** - Tells unit software specifics.

### 8.1 Password

```
>CONFIGURE PASSWORDS<
ADMIN PASSWORD
USER PASSWORD
USER SET UP
```

**ADMIN PASSWORD** - The administrator password gives access to all menus except factory set up.

**USER PASSWORD** - The user password allows the user to access HOME menus that are made available in USER SET UP.



## 8.2 Relays

>RELAY 1 SETUP<	
MAIN ACTION	DISABLE 1
ACTIVATOR 2	DISABLE 2
ACTIVATOR 3	DISABLE 3
ACTIVATOR 4	DISABLE 4
	DAILY MAX

**CONFIGURE RELAYS** - This menu lets you choose a **Main Action** or function (timer 1, conductivity, alarms etc...) to activates a relay.

A pop-up screen appears with a list of all available activation functions to arrow through.

Additional relay logic is available with up to 3 additional **Activators** and up to 4 **Disablers** allowing multiple functions to activate the same relay and multiple functions to prevent the relay from coming on. There is also a Daily Max amount of time that a relay can be on. If a relay is on for the max amount it does not let the relay come on anymore that day. (A 24 hour clock is used for the day with midnight being the start of the day).

## 8.3 History

This menu is used to set the history "time stamp" interval, the water meter daily history starting hour and the alarm delay period.

>CONFIGURE HISTORY<	
INTERVAL	
W/M HOUR	
ALARM DELAY	

**INTERVAL** - The amount of time between each history time stamp for probe readings.

**W/M HOUR** - The time of day that the daily water meter history cycle is to start.

**ALARM DELAY** - The amount of time an alarm has to be on before it is recognized as an alarm.

## 8.4 Flow Switch

This menu allows the user to select if a flow switch signal will represent a flowing condition when a "closed" or "open" signal is seen for each systems flow switch input. User can also select if timers can work always or only with flow.

## 8.5 Contrast

This menu is used to adjust the contrast of the display.

## 8.6 Temperature Scale

This menu is used to select the type of temperature scale to display.

## 8.7 Network

The Network menu is used when a controller is being remotely communicated with either a local network connection or over the internet on the Web Advantage server.

>CONFIGURE NETWORK<	
IP ADDRESS	HTTP REMOTE
IP MASK	FTP
GATEWAY	RESET
SERVER	
HTTP LOCAL	

**NETWORK** - This menu is used for setting up the remote WebAdvantage communications and is covered in a separate manual.

**Note:** The Network card must be RESET after making any changes to Network setting in order to save changes and reset communications.

## 8.8 System Information

System information will identify the version of firmware installed in the controller along with the controller's serial number.

## 9. History

The onboard history allows for viewing the history of the probe readings, relay activations, key-pad activity, calibrations, water meter hourly and daily logs and alarms for each system present. It is also where Notepad data is entered and reviewed. An initial overview page is displayed showing your current sample interval, the calculated number of days the unit can keep probe history for before losing the oldest. The number of sensor samples and relay/alarm events and Notepad entries currently stored is also displayed.

```
>HOME REVIEW<

SYSTEM 1      Sample Time: 5 MIN
SYSTEM 2      (Length 164.62 days)
              Sensor Samples
              882
              Relay/Alarm Events
              323
              Notepad Entries
```

**NOTE:** The history can be reset by going to the configure menu and entering a different sample interval. After the new sample interval has been set the onboard history is reset.

### 9.1 Viewing History

```
>HISTORY<

RELAY LOGS          WATER METER
ALARM LOGS
SENSOR HISTORY
EVENT LOG
NOTEPAD
```

**RELAY LOGS** - Relay activations displayed in a log form. Arrow up to advance through the log.  
**ALARM LOG** - Alarm activations in log form.  
**SENSOR HISTORY** - For selecting the parameters and viewing of a given probe reading's history in log or graph form.  
**EVENT LOG** - Displays various activities.

### 9.2 Notepad Entries

```
>NOTEPAD: SYS 1 NOTE 1<

ENTER VALUE      Total Hardness
LOG              8 Entries
GRAPH
                517.2 Hrs to Alarm
```

The Notepad section under History is where the user goes to enter new values for the customized notepad items. Each individual notepad item's manually entered entries are stored in the units history and can be reviewed in log or graph form after 4 or more values have been entered.

### 9.3 Water Meter History

The water meter history allows the user to review both water meter one and two of a particular system in both an hourly format (for the past 24 hours) or a daily format for the past 60 days. If an evaporation calculation is being kept, a daily history of this value is also available.

### 10. Water Meters

Each system with a timer on it will have 2 water meter inputs. Each of these can have the incoming contact defined allowing the controller to keep track of water usage. If desired the controller can calculate evaporation loss by subtracting the difference between a systems 2 water meter inputs.

```
>SYS1 WATER METER 1<
TOTAL VALUE:    0280500.0  GALLONS
FLOW RATE:      000.0  GALLONS/MIN
CONTACT VALUE:  0010.0  GAL/CONTACT
CONTACT VALUE
CONTACT UNIT
RESET TOTAL                    EVAP CALC
```

**CONTACT VALUE** - Defines the numerical value for a contact; i.e. 10.

**CONTACT UNIT** - Defines the units of measurement for a contact; i.e. Gallons / Contact

**RESET TOTAL** - Resets the totalizer count. Totalizers should be reset after 400 million.

**EVAP CALC** - Defines which way to subtract the 2 water meter inputs for an evaporation value.

### 11. Relays

```
>RELAYS<
STATUS
RESET
```

**STATUS** - Allows for viewing accumulated relay ON times, temporary forcing relays ON or OFF or seeing which relay is on.

**RESET** - Allows the accumulated run time of a particular relay to be reset to zero.

```
>RELAY STATUS<
R01:  ON           006:30:30
SYS1  COND BLEED
R02:  OFF          008:56:35
SYS1  pH
R03:  OFF-T       011:00:10
SYS1  TIMER1 INH
R04:  OFF          007:00:00
SYS1  TIMER2 BIO1
R05:  OFF          008:10:30
SYS1  TIMER3 BIO2
```

In the STATUS view the accumulated ON time is shown along with the main activator, custom name and current status:

ON = Relay on by relay activators

OFF = Relay off by normal logic

OFF-T = Relay off for daily max

OFF-D = Relay off for relay disabler

ON-A = Relay activated by activator other than main action

H-ON = Relay manually forced on

H-OFF = Relay manually forced off

## VI. Maintenance

The only required maintenance for normal uninterrupted operation of your MegaTron controller is cleaning of the electrode(s). After initial start up, it is a good idea to clean the electrode frequently until a schedule based on need has been developed. Since each application is unique, it is difficult to estimate the required frequency of cleaning. The first cleaning should take place after about one week of the system being on line.

To determine the required cleaning frequency, record the reading on the controller before the electrode is removed for cleaning. After cleaning, record the new reading. If a change is observed in the two readings, the electrode was dirty. The more significant the change, the dirtier the electrode. If no change occurs, cleaning needs to be done less often.

### Conductivity Electrode Cleaning Procedure

1. Record the current conductivity reading.
2. Turn off water flow through the electrode loop, bleed pressure from the line and remove electrode.
3. Use a clean cloth and a mild cleaning solution to remove loose dirt etc., from the flat surface of the electrode.
4. If the electrode has deposits such as scale attached to the electrode surface a more aggressive cleaning approach will be needed. There are several ways to do this, the preferred method being the one that is easiest for the user.
  - a. Use a mild acid solution to dissolve deposits.
  - b. Lay a piece of sandpaper (200 grit or finer) on a flat surface such as a bench top. "Sand" electrode to remove stubborn deposits. (Do not wipe surface with your finger.) Oil from your skin will foul carbon tips.
5. Reinstall the electrode in the system. After the reading stabilizes, calibrate the unit to a reliable test reading.

Many times an electrode can appear to be clean, but the unit still cannot be calibrated. If this is the case, use one of the more aggressive electrode cleaning procedures listed in step 4 above. Recheck the calibration after completion of this procedure. If no change was observed in the reading, replace the electrode. If a change occurred but the unit still will not calibrate, repeat procedure as many times as necessary.

### pH and ORP Electrode Cleaning Procedure

1. Remove the pH electrode from the system.
2. Spray with water and/or detergent, using a soft brush to dislodge any fouling.
3. Visually inspect the electrode for signs of damage.
4. Calibrate the electrode while it is in a known solution.

Slow response or non-reproducible measurements are signs that the electrode has become coated or clogged. The pH glass is susceptible to mounting by many substances. The speed of response, normally 95% of the reading in less than 10 seconds, is dramatically degraded when the pH glass is coated.

To restore the speed of response for a pH electrode, clean the bulb with a high quality detergent, methyl alcohol or other suitable solvent using a “Q-tip”. Rinse well with distilled water and retest. If the electrode now responds, but erratically, soak the sensor in 0.1 Molar HCl for 5 minutes. Remove and rinse with water and place in 0.1 Molar NaOH for 5 minutes. Remove, rinse again and then place the sensor in pH 4. buffer for 10 minutes before use.

ORP/REDOX electrode may be gently abraded by use of 600 grade wet silicone carbide paper, jewelers rouge or very fine steel wool. Try one of the previous cleaning methods first before using this method.

## VII. Troubleshooting

The Advantage MegaTron controller is designed for many years of trouble free operation. Should a problem occur, refer to the following chart to help identify the problem. If replacement is required, follow the procedures listed in the Warranty and Factory Service portion of this manual.

SYMPTOM	POSSIBLE CAUSE	SOLUTION
False reading.....	Bad or dirty electrode	Clean, as needed
	Out of calibration	Calibrate unit
Will not calibrate .....	Dirty electrode	Clean electrode
	Faulty electrode	Replace electrode if needed
	Faulty wiring to electrode	Replace wiring if needed
No system power.....	Check power source	Plug into different receptacle
	Check fuse	Replace as needed
	Check connections	Make sure ribbon cables are secure
Pulse timer not activating .....	Check wiring	Repair as needed
	Check external device	Repair/replace as needed
Outputs not energized .....	No flow	Check sample line for clogged pipes or strainers
	Check fuse	Replace as needed

## **VIII. Advantage Controls' Product Warranty**

Advantage Controls warrants control systems of its manufacture to be free of defects in material or workmanship. Liability under this policy extends for 24 months from date of installation. Liability is limited to repair or replacement of any failed equipment or part proven defective in material or workmanship upon manufacturer's examination. Removal and installation costs are not included under this warranty. Manufacturer's liability shall never exceed the selling price of equipment or part in question.

Advantage disclaims all liability for damage by its products caused by improper installation, maintenance, use or attempts to operate products beyond their intended functionality, intentionally or otherwise, or any unauthorized repair. Advantage is not responsible for damages, injuries or expenses incurred through the use of its products.

The above warranty is in lieu of other warranties, either expressed or implied. No agent of ours is authorized to provide any warranty other than the above.

### **30 Day Billing Memo Policy**

Advantage Controls maintains a unique factory exchange program to ensure uninterrupted service with minimum downtime. If your controller malfunctions, call 1-800-743-7431, provide our technician with Model and Serial Number information. If they are unable to diagnose and solve your problem over the phone, a fully warranted replacement will be shipped, usually within 48 hours, on a 30 Day Billing Memo.

This service requires a purchase order and the replacement is billed to your regular account for payment.

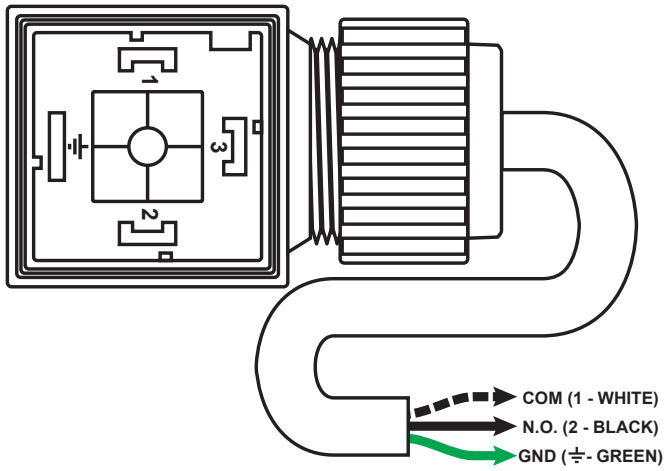
The replacement will be billed at current list price for that model less any applicable resale discount. Upon return of your old panel, credit will be issued to your account at either 100% if your unit is in warranty or at 50% if your unit was out of warranty. The exchange covers only the panel. Electrode and enclosure are not included.

### **FCC Warning**

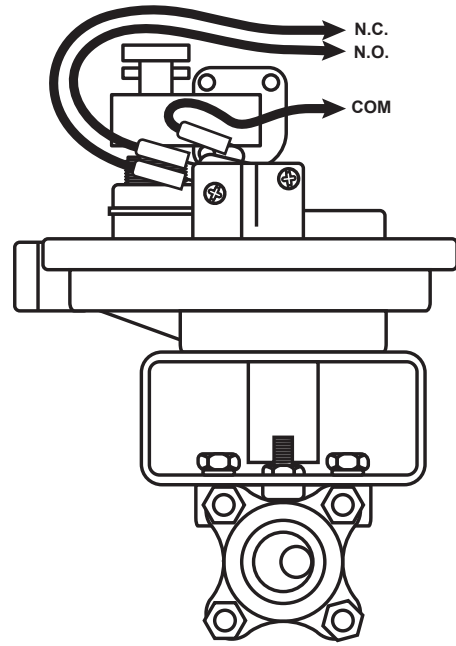
This equipment generates and uses radio frequency energy and if not installed and used properly, that is, in strict accordance with the manufacturer's instruction, may cause interference to radio communications. It has been type tested and found to comply with the limits for a class A computing device pursuant to subpart J of part 15 of FCC Rules, which are designed to provide reasonable protection against such interference when operated in a commercial or industrial environment. Operation of this equipment in a residential area is likely to cause interference in which case the user, at his own expense, will be required to take whatever measures necessary to correct the interference.

Notes

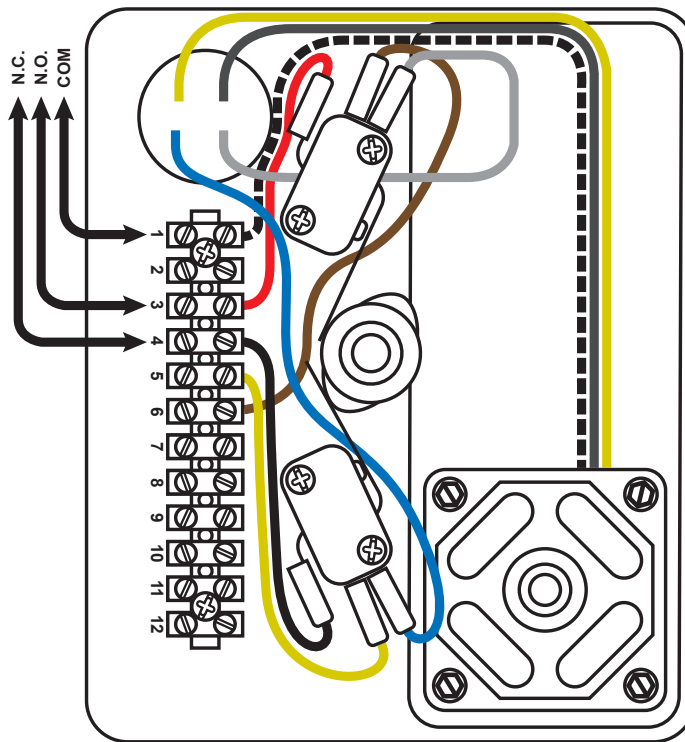
Common boiler blowdown valve connections.



SOLENOID VALVE  
(TOP VIEW)



MBWB 1036 MOTORIZED BALL VALVE  
(SIDE VIEW)



MBWA 1075 BLOWDOWN VALVE  
(TOP VIEW)

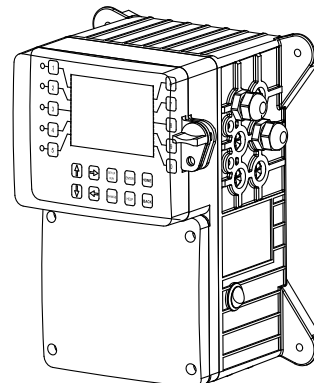
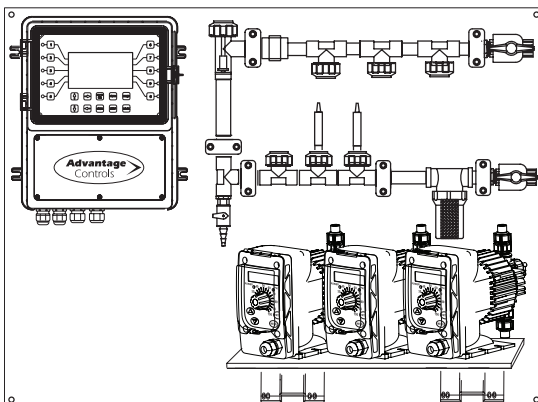
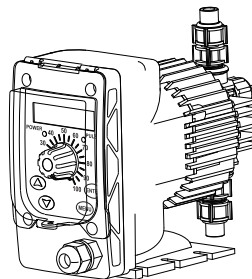
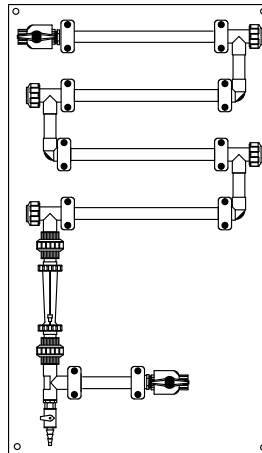
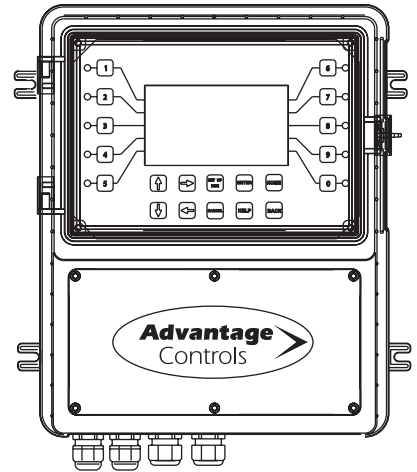
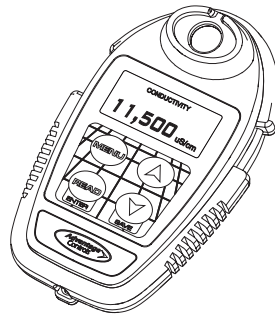
**-Notes-**



# Get the Advantage in Water Treatment Equipment

Advantage Controls can give you the *Advantage* in products, knowledge and support on all of your water treatment equipment needs.

- Cooling Tower Controllers
- Boiler Blow Down Controllers
- Blow Down Valve Packages
- Solenoid Valves
- Water Meters
- Chemical Metering Pumps
- Corrosion Coupon Racks
- Chemical Solution Tanks
- Solid Feed Systems
- Feed Timers
- Filter Equipment
- Glycol Feed Systems
- Pre Fabricated Systems



Get the Advantage

Advantage  
Controls