

accomplish™

Be genuine collection

Instruction and Reference Guide

Instruction et Guide de Référence

Model BL520B

baby lock

FOR THE LOVE OF SEWING

To register your machine warranty and receive Baby Lock product updates and offers, go to babylock.com/login. If you have questions with registration, visit your Authorized Baby Lock Retailer.

Baby Lock Consumer Helpline: 800-313-4110 • www.BabyLock.com

INTRODUCTION

Thank you for purchasing this machine. Before using this machine, carefully read the “IMPORTANT SAFETY INSTRUCTIONS”, and then study this manual for the correct operation of the various functions.


In addition, after you have finished reading this manual, store it where it can quickly be accessed for future reference.

IMPORTANT SAFETY INSTRUCTIONS

Please read these safety instructions before attempting to use the machine.

 **DANGER** - To reduce the risk of electrical shock

- 1 Always unplug the machine from the electrical outlet immediately after using, when cleaning, making any user servicing adjustments mentioned in this manual, or if you are leaving the machine unattended.

 **WARNING** - To reduce the risk of burns, fire, electrical shock, or personal injuries.

- 2 Always unplug the machine from the electrical outlet when making any adjustments mentioned in this instruction manual.
 - To unplug the machine, switch the machine to the symbol “O” position to turn it off, then grasp the plug and pull it out of the electrical outlet. Do not pull on the cord.
 - Plug the machine directly into an electrical outlet. Do not use an extension cord.
 - Always unplug your machine if there is a power failure.
- 3 Electrical Hazards:
 - This machine should be connected to an AC power source within the range indicated on the rating label. Do not connect it to a DC power source or power transformer. If you are not sure what kind of power source you have, contact a qualified electrician.
 - This machine is approved for use in the country of purchase only.

-
-
-
-
-
-
-
-
-
-
- 4** Never operate this machine if it has a damaged cord or plug, if it is not working properly, has been dropped or damaged, or water is spilled on the unit. Return the machine to the nearest authorized Baby Lock retailer for examination, repair, electrical or mechanical adjustment.
- While the machine is stored or in use if you notice anything unusual, such as an odor, heat, discoloration or deformation, stop using the machine immediately and unplug the power cord.
 - When transporting the machine, be sure to carry it by its handle. Lifting the machine by any other part may damage the machine or result in the machine falling, which could cause injuries.
 - When lifting the machine, be careful not to make any sudden or careless movements, which may cause a personal injury.

- 5** Always keep your work area clear:
- Never operate the machine with any air openings blocked. Keep ventilation openings of the machine and foot control free from the build up of lint, dust, and loose cloth.
 - Do not store objects on the foot controller.
 - Never drop or insert foreign objects in any opening.
 - Do not operate where aerosol (spray) products are being used or where oxygen is being administered.
 - Do not use the machine near a heat source, such as a stove or iron; otherwise, the machine, power cord or garment being sewn may ignite, resulting in fire or an electric shock.
 - Do not place this machine on an unstable surface, such as an unsteady or slanted table, otherwise the machine may fall, resulting in injuries.

- 6** Special care is required while sewing:
- Always pay close attention to the needle. Do not use bent or damaged needles.
 - Keep fingers away from all moving parts. Special care is required around the machine needle.
 - Switch the machine to the symbol “O” position to turn it off when making any adjustments in the needle area.
 - Do not use a damaged or incorrect needle plate, as it could cause the needle to break.
 - Do not push or pull the fabric while sewing, and follow the instructions carefully when free motion stitching so that you do not deflect the needle and cause it to break.

7 This machine is not a toy:

- Your close attention is necessary when the machine is used by or near children.
- The plastic bag that this machine was supplied in should be kept out of the reach of children or disposed of. Never allow children to play with the bag due to the danger of suffocation.
- Do not use outdoors.

8 For a longer service life:

- When storing this machine, avoid direct sunlight and high humidity locations. Do not use or store the machine near a space heater, iron, halogen lamp, or other hot objects.
- Use only neutral soaps or detergents to clean the case. Benzene, thinner, and scouring powders can damage the case and machine, and should never be used.
- Always consult the Instruction and Reference Guide when replacing or installing any assemblies, the presser feet, needle, or other parts to assure correct installation.

9 For repair or adjustment:

- If the light unit is damaged, it must be replaced by an authorized Baby Lock retailer.
- In the event a malfunction occurs or adjustment is required, first follow the troubleshooting table in the back of the Instruction and Reference Guide to inspect and adjust the machine yourself. If the problem persists, please consult your local authorized Baby Lock retailer.

Use this machine only for its intended use as described in the manual.

Use accessories recommended by the manufacturer as contained in this manual.

The contents of this manual and specifications of this product are subject to change without notice.

For additional product information, visit our website at www.babylock.com

SAVE THESE INSTRUCTIONS
This machine is intended for household use.

FOR USERS IN COUNTRIES EXCEPT EUROPEAN COUNTRIES


This appliance is not intended for use by persons (including children) with reduced physical, sensory or mental capabilities, or lack of experience and knowledge, unless they have been given supervision or instruction concerning use of the appliance by a person responsible for their safety. Children should be supervised to ensure that they do not play with the appliance.

FOR USERS IN EUROPEAN COUNTRIES

This appliance can be used by children aged from 8 years and above and persons with reduced physical, sensory or mental capabilities or lack of experience and knowledge if they have been given supervision or instruction concerning use of the appliance in a safe way and understand the hazards involved. Children shall not play with the appliance. Cleaning and user maintenance shall not be made by children without supervision.

FOR USERS IN THE UK, EIRE, MALTA AND CYPRUS ONLY

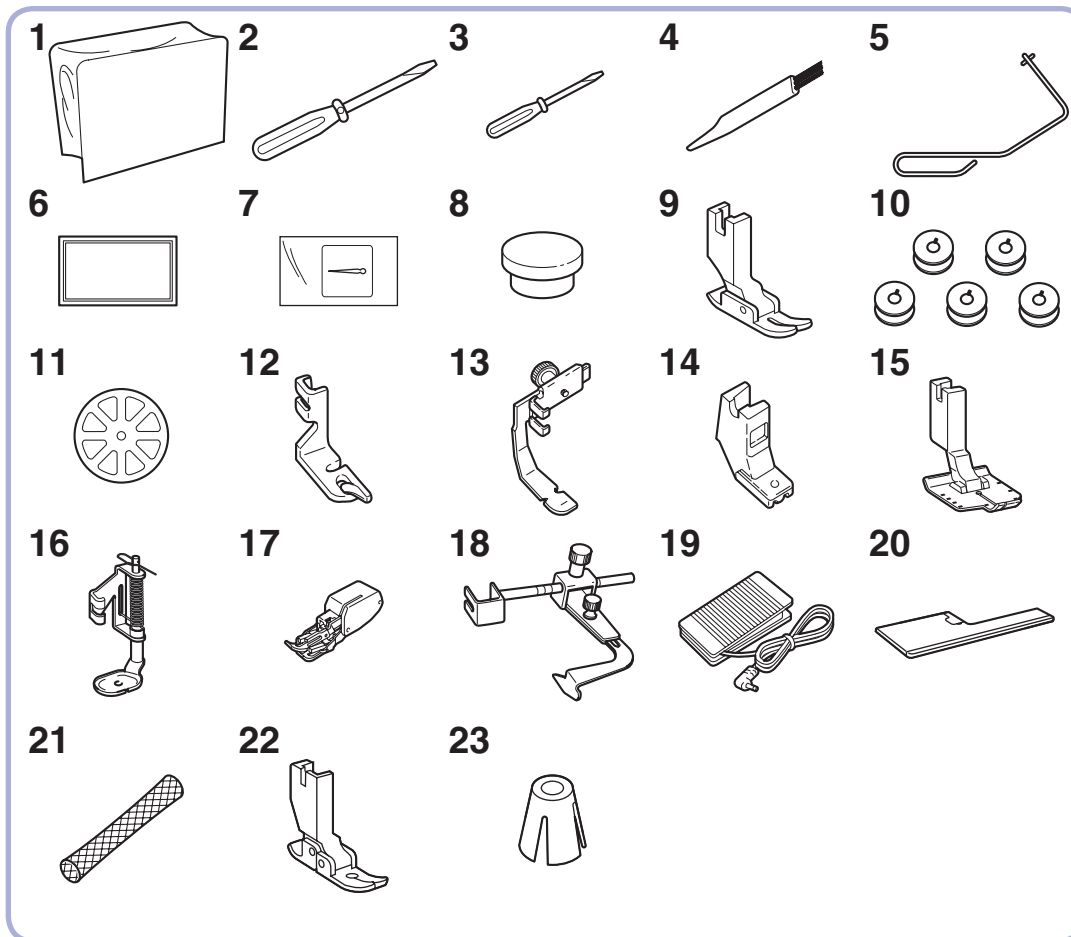
IMPORTANT

- In the event of replacing the plug fuse, use a fuse approved by ASTA to BS 1362, i.e. carrying the  mark, rating as marked on plug.
- Always replace the fuse cover. Never use plugs with the fuse cover omitted.
- If the available electrical outlet is not suitable for the plug supplied with this equipment, you should contact your authorized Baby Lock retailer to obtain the correct lead.

CONTENTS

INTRODUCTION	1	Stitch Samples and Needle Chart	17
IMPORTANT SAFETY INSTRUCTIONS	1	Stitch Samples	17
Accessories	6	Thread Tension.....	17
Machine Features	7	Changing Presser Feet	18
Before You Begin (1)	8	Changing Presser Feet (Zipper Foot).....	18
Power Cord and Foot Controller.....	8	Presser Feet.....	18
Main Power Switch	8	Basic Sewing (1)	19
Thread Tension Dial.....	8	Basic Sewing.....	19
Handwheel	8	Pin Feeding (for hard-to-handle fabrics).....	19
Stitch Length Regulator.....	8	Basic Sewing (2)	20
Reverse Stitch Lever	8	Rolled Hem Foot	20
Presser Foot Lever	9	Basic Sewing (3)	21
Knee Lifter.....	9	Zipper Foot.....	21
Presser Foot Pressure Adjustment Dial	9	Invisible Zipper Foot	22
Fabric Extension Table	9	1/4" Foot	22
Before You Begin (2)	10	Free Motion Quilting Foot.....	23
Thread Cutter Button.....	10	Walking Foot.....	23
Needle Stop Position Button.....	10	Seam Guide	24
Feed Dog Adjustment Knob	10	Caring for Your Machine	25
Changing Needles	11	Cleaning the Machine.....	25
Changing the Needle.....	11	Lubrication Points.....	25
Changing the Feed Pin.....	11	Trouble Shooting	26
Threading (1)	12		
Bobbin Winding	12		
Bobbin Installation	14		
Threading (2)	15		
Upper Threading.....	15		
Using the Automatic Needle Threader	16		
Using the Spool Net	16		

Accessories

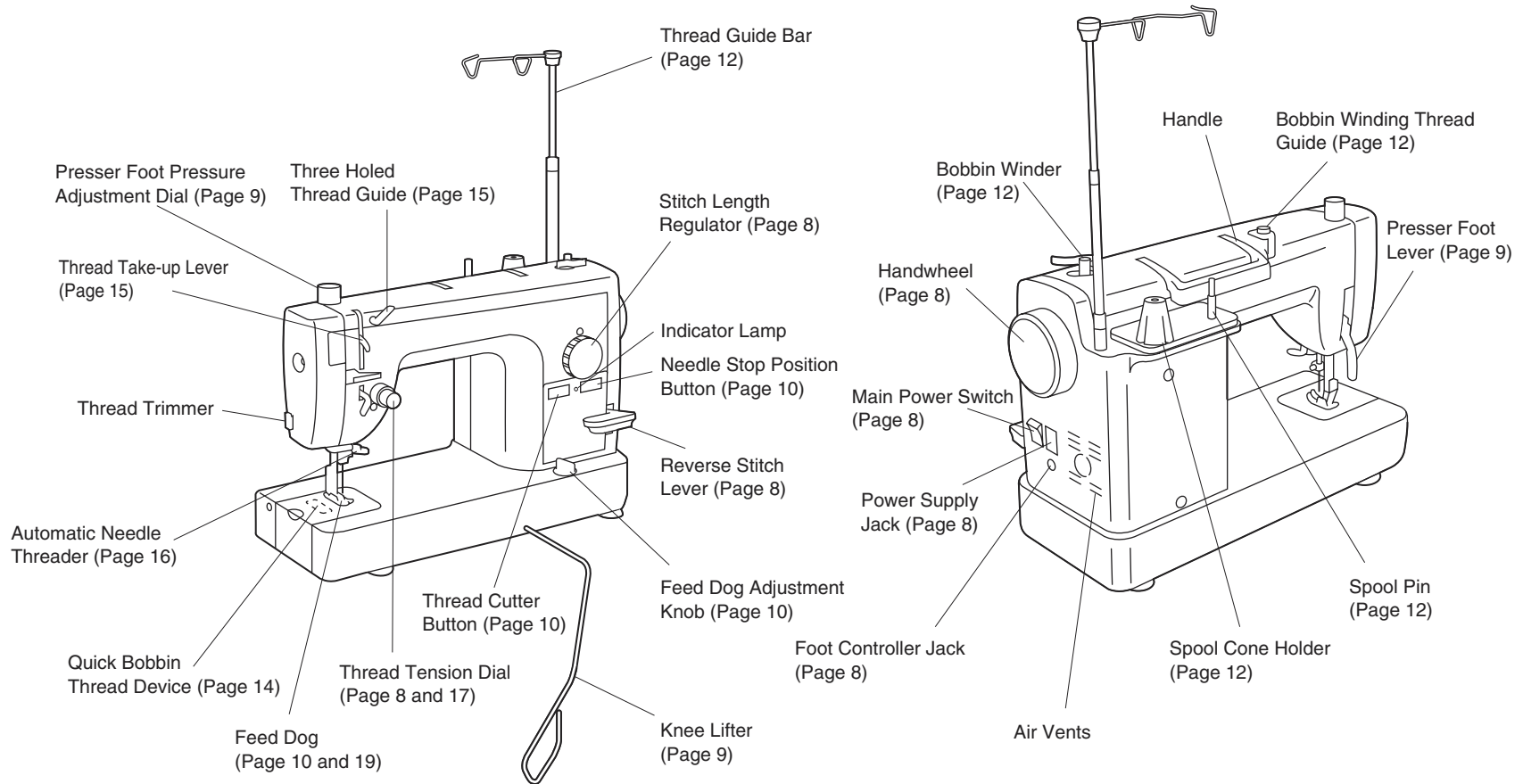


No.	Part Name	Part Code
1	Soft Cover	XA0917-054
2	Medium Screwdriver	XC9541-051
3	Small Screwdriver	X55468-051
4	Cleaning Brush	X59476-051
5	Knee Lifter	XA0830-051
6	Needles and Case (ORGAN HLX5) 1 Size 9, 2 Size 11, 1 Size 14, 1 Size 16, 1 Ballpoint Needle	X80805-151
7	Feed Pin	138483-051
8	Feed Pin Changer	XC1407-051
9	General Purpose Foot	XA1425-001
10	Bobbin (5)	100376-051
11	Spool Cap	XA2111-050
12	Rolled Hem Foot	X57138-101
13	Zipper Foot	112797-001
14	Invisible Zipper Foot	XC0093-001
15	1/4" Foot	XA7258-001
16	Free Motion Quilting Foot	XA7255-301
17	Walking Foot	XA7253-001
18	Seam Guide	XA7256-001
19	Foot Controller	XC8816-051
20	Fabric Extension Table	XC3117-051
21	Spool Net	XA5523-050
22	Flex Reaction Foot (on machine)	136021-001
23	Spool Cone Holder (on machine)	XF2071-001

Note (For U.S.A. only)

- Foot controller: Model T
- This foot controller is used for sewing machine model BL520B.

Machine Features



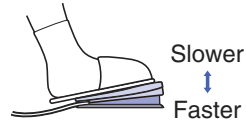
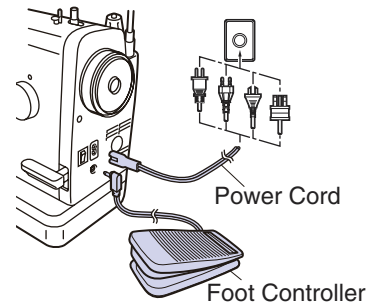
Before You Begin (1)

Power Cord and Foot Controller

⚠ WARNING

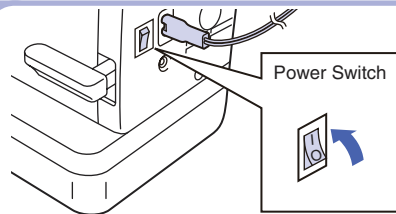
Please use common household current.

- Attach power cord.
- Insert foot controller jack into machine.
- When you press the foot controller down lightly, the machine will run at a low speed. When more pressure is applied to foot controller, the machine's speed will increase. When you remove your foot from the foot controller, the machine will stop.



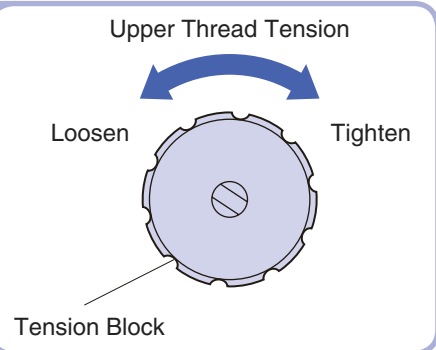
Main Power Switch

- Press power switch toward the "I" position to turn machine on.
- To turn the machine off, press the power switch toward the "O" position.



Thread Tension Dial

- When tighter thread tension is desired, turn the tension dial to the right. Upper and bobbin threads will meet on right side of the fabric.
- When looser thread tension is desired, turn tension dial to the left. Upper and lower threads will then meet on wrong side of fabric.

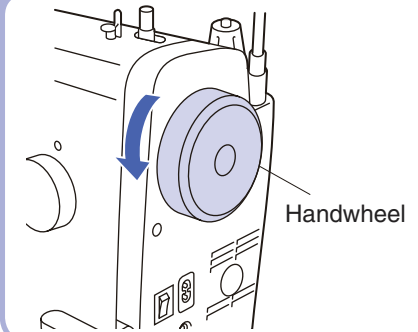


Handwheel

- Position needle using handwheel.
- * Always turn handwheel towards you.

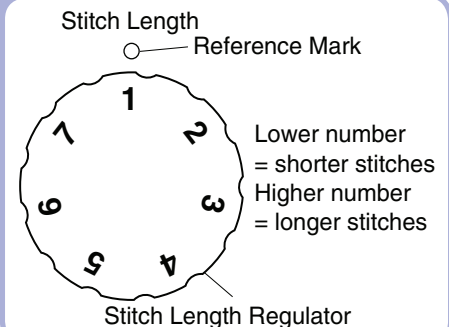
⚠ CAUTION

Be sure to keep the area under and around the needle clear.



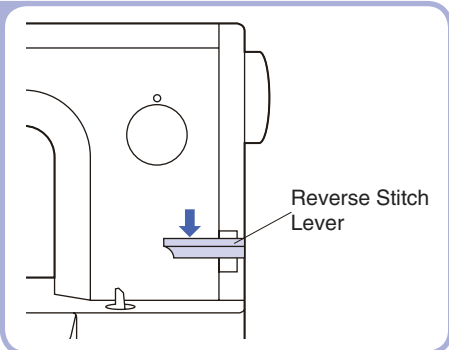
Stitch Length Regulator

- Adjust desired stitch length using stitch regulator dial.



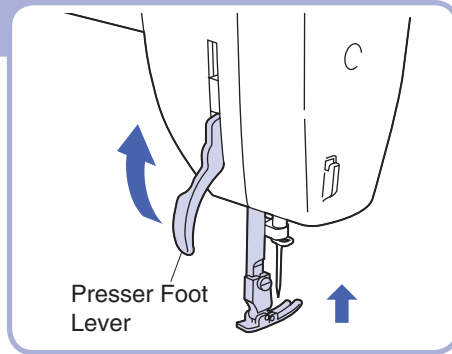
Reverse Stitch Lever

- Sewing in reverse is possible when the reverse stitch lever is in the lowered position.
- * Make sure to continuously press the lever to its lowest position when reverse sewing is desired.
- * When the stitch regulator dial is set between 5-7 mm, the reverse stitch length is always 5 mm.



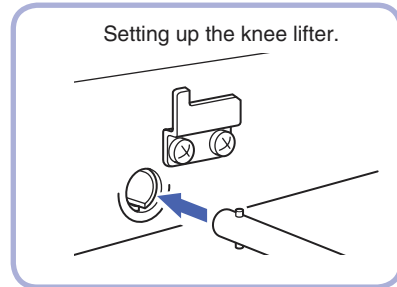
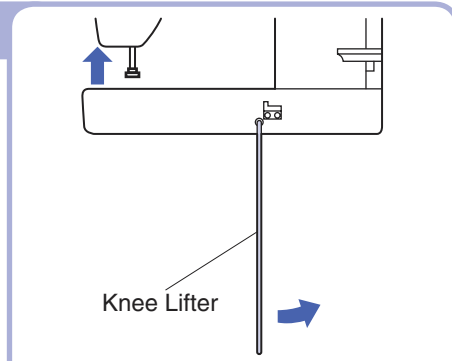
Presser Foot Lever

- Lowering the presser foot lever lowers the sewing foot down onto the fabric and engages the thread tension function.
- * When working with heavy fabrics or other fabrics that don't slide easily under the foot, raise the presser foot lever to position the fabric.

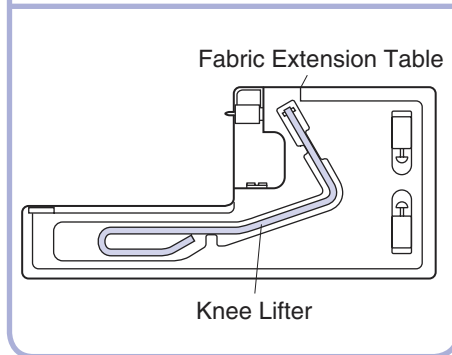


Knee Lifter

- Using the convenient knee lifter to lift and lower the presser foot easily, leaving both of your hands free.

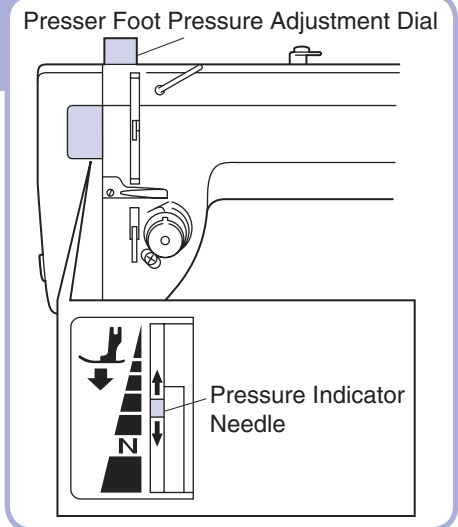


- * Push the knee lifter bar all the way into the socket.
- * When knee lifter is not in use, it can be stored beneath the fabric extension table.



Presser Foot Pressure Adjustment Dial

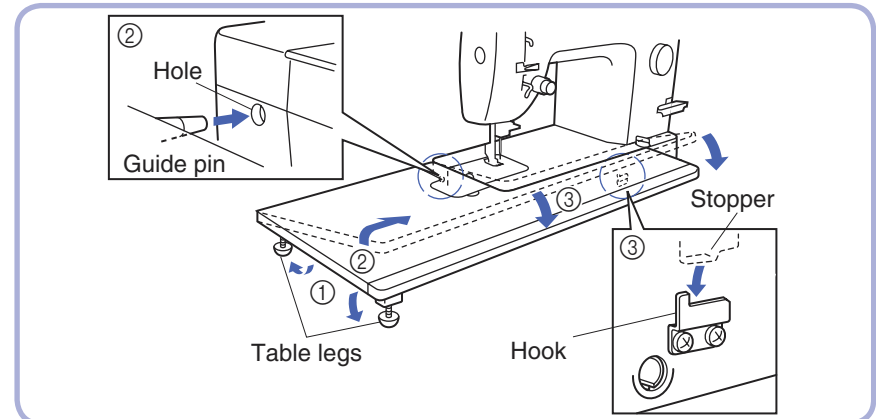
- Turning the pressure adjustment dial raises and lowers the pressure indicator needle as the amount of pressure on the presser foot changes. See also: "Feed Dog Adjustment Knob" on page 10.



- * See "Thread Tension" on page 17.
- * Coordinate the color coding for proper foot pressure and feed dog settings.

Fabric Extension Table

- Lower the adjustable table feet and slide the fabric extension table on to the machine.



Before You Begin (2)

Thread Cutter Button

⚠ CAUTION

When the machine stops due to jammed threads and so forth, do not press on the foot controller; turn power off, and move the needle with the handwheel to check the situation. Otherwise broken needles could result.

- The thread cutter trims upper and bobbin threads at the end of seams.

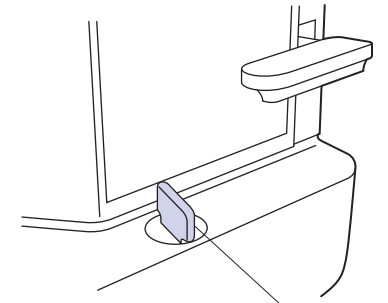


Thread Cutter Button

- * Press with the presser lever down.

Feed Dog Adjustment Knob

- Height of feed dog can be adjusted to coincide with fabric weights.



Feed Dog Adjustment Knob

Needle Stop Position Button

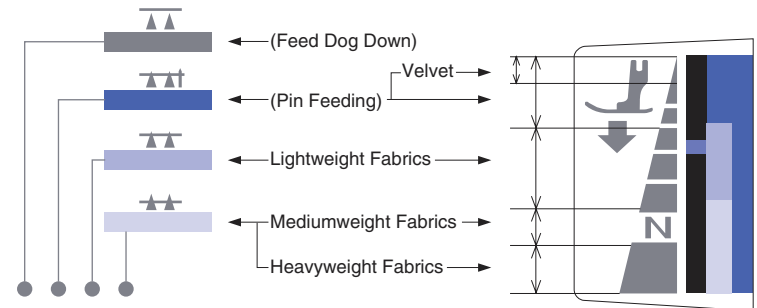
- When indicator lamp is lit up, the machine will stop sewing with the needle lowered through the fabric.
- When indicator lamp is off, the needle position when sewing stops, will be random.
- If the safety mechanism is activated, for example if the thread becomes tangled, the red lamp flashes.

Indicator Lamp




Needle Stop Position Button

Foot Pressure and Feed Dog Position



Select one of four feed dog positions according to your needs.

Note

- If a setting other than  is selected, the pin feed mechanism will not operate.
- Coordinate the color coding for proper foot pressure and feed dog settings.

Changing Needles

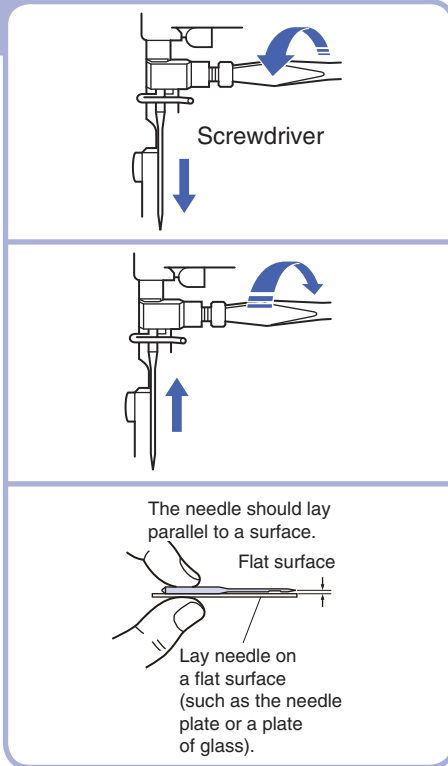
⚠ CAUTION

Please make sure the power to the machine is turned off before carrying out the following operations. There is a chance of injury if the machine accidentally starts running during this operation.

Changing the Needle

- ① Turn the sewing machine off. Raise needle to highest position using handwheel, and lower presser foot.
- ② Loosen screw with screwdriver, and remove needle.
- ③ Hold the needle with the flat side to the right, and insert the needle as far as it will go. Make sure needle is securely set in the needle chamber by screwing in tightly.

- * If the needle is not adequately inserted or the screw is loose, this may break the needle or cause a breakdown and the needle threader will not work.
- * Check needles on a flat surface to make sure they are not bent.

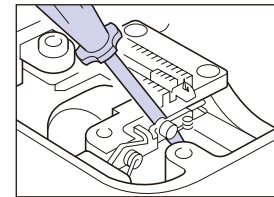


Note

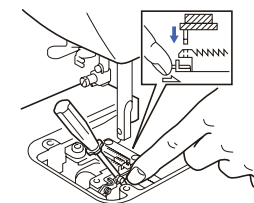
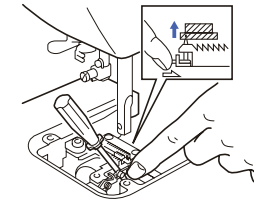
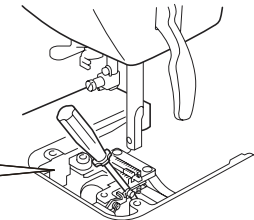
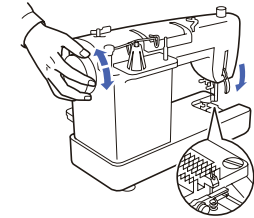
- HLX5 needles should be used; however, Schmetz 130/705H may also be used under normal circumstances.

Changing the Feed Pin

- ① Set the feed dog to the “velvet” position. (See page 10.)
- ② Remove needle, presser foot and needle plate.
- ③ Lower presser foot and turn handwheel until feed pin is in its highest position.
- ④ Insert small screwdriver (included) as shown in diagram.



- ⑤ While holding spring with fingertip, lower the feed pin changer onto the needle to pick it up.
- ⑥ Attach new feed pin to feed pin changer, lower and attach while holding spring with fingertip.
- ⑦ Remove screwdriver.
- ⑧ Re-attach needle plate, needle and presser foot.

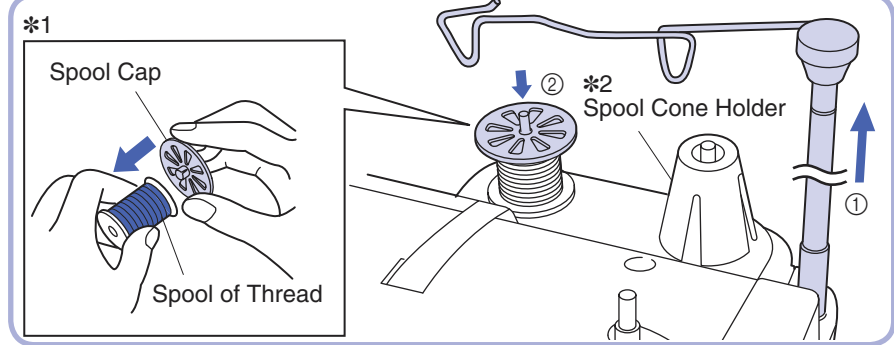
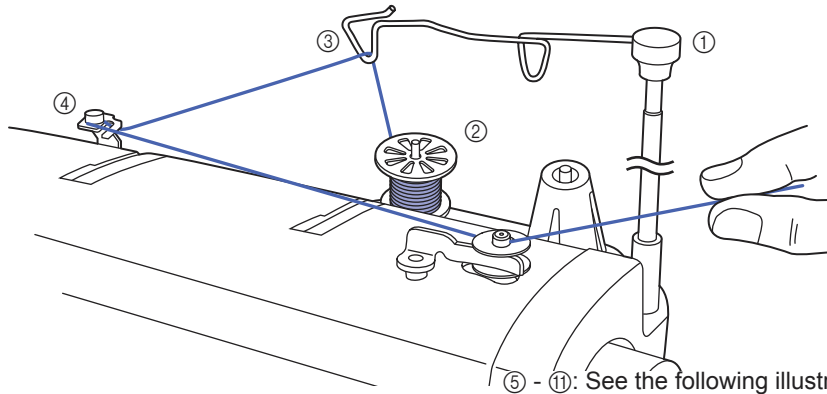


Threading (1)

Bobbin Winding

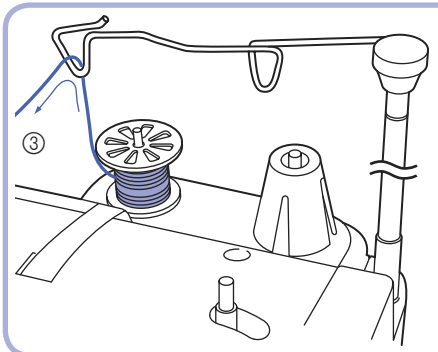
⚠ CAUTION

Do not move bobbin winding clutch while machine is running.

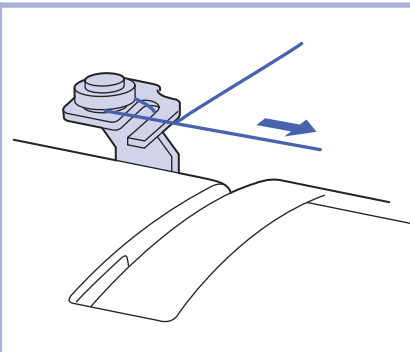


- ① Raise the thread guide bar all the way.
- ② Mount a spool of thread on the spool pin.

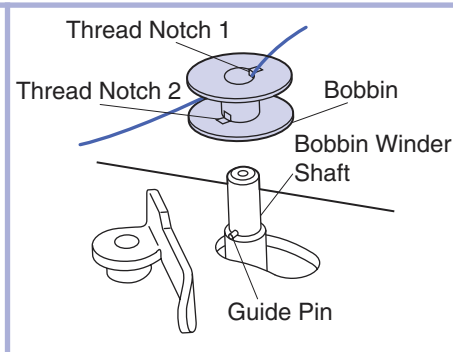
- *1 Use spool cap when using parallel-wound thread.
- *2 Use spool cone holder to stabilize cone shaped spools of thread.



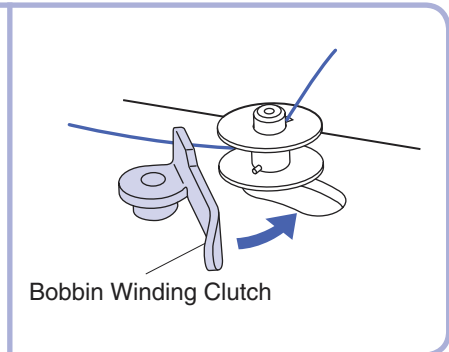
- ③ Pass the thread through the triangular hole.



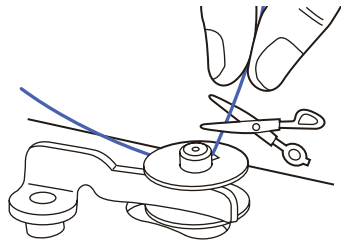
- ④ Pass thread through bobbin winding thread guide as shown in drawing.



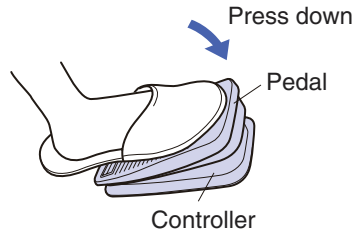
- ⑤ Run thread through top thread notch 1, and turning the bobbin align bottom thread notch 2 of the bobbin with guide pin on bobbin winder shaft.



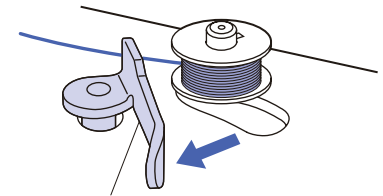
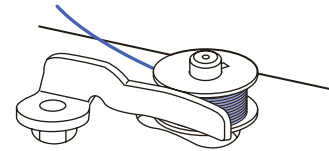
- ⑥ Press bobbin winding clutch up against empty bobbin. If the bobbin stop does not slide easily between the top and bottom of the bobbin, check that the bobbin is seated properly with the guide pin (⑤) inserted into the lower notch.



* Place the thread end so that it does not protrude from the bobbin.



* Pressing down on the controller harder increases the winding speed.



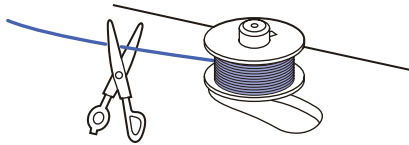
Bobbin Winding Clutch

⑦ While holding the end of the thread, press on the foot controller for a few seconds. Once enough thread has wound itself around the bobbin to hold itself in place, release the foot controller and trim the excess thread.

⑧ Start winding the bobbin again by pressing down on the foot controller.

⑨ Stop winding process when bobbin is full. Remove your foot from the foot controller.

⑩ Manually move bobbin winding clutch back to original position.

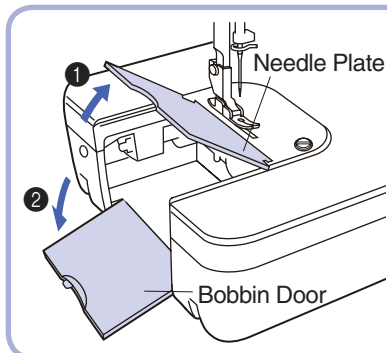


⑪ Cut thread and remove bobbin.

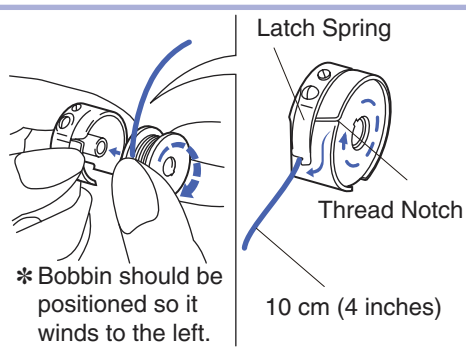
Bobbin Installation

⚠ CAUTION – Moving parts –

To reduce risk of injury, turn the power to the machine off before servicing. Open covers.



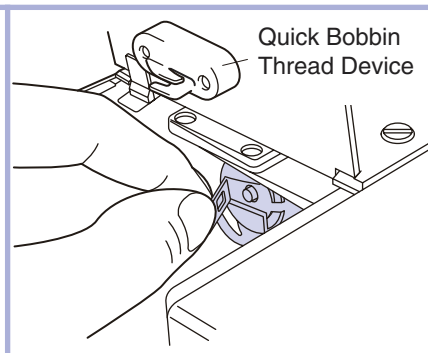
- ① Lift needle plate and open bobbin door.



* Bobbin should be positioned so it winds to the left.

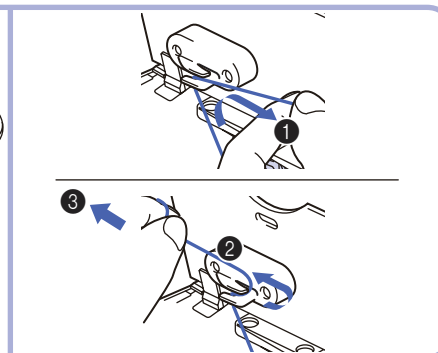
- ② Place bobbin inside the bobbin case.

- * Run thread through thread notch and under latch spring, so that a length of thread is exposed.
- * Always use the bobbin case that was supplied with this machine. A secondary bobbin case can be ordered from your Baby Lock retailer.



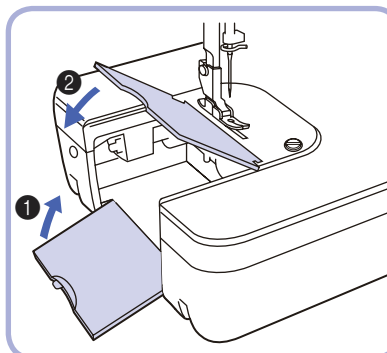
- ③ Pull the latch lever of the bobbin case out and push the bobbin case into the shuttle race and release the latch lever.

- * If the latch lever on the bobbin case is not set securely on the hook, it may fly off during sewing and cause lower thread breakage. Rotate the handwheel one full rotation towards you to check that the bobbin case is set securely.



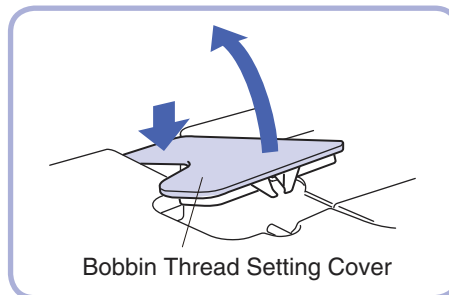
- ④ Pass the thread through the quick bobbin thread device in the order numbered ① ②, pull in the direction of the arrow ③, then cut the thread.

★ **Quick Bobbin Thread Device**
This device cuts the bobbin thread end to an appropriate length after the bobbin has been replaced and holds it at that length. Following this process eliminates the need to manually pull the bobbin thread through the hole in the needle plate. Simply close the bobbin case and continue the upper threading process.



- ⑤ Lower slide plate and close bobbin door, following numbers ① ② above in order.

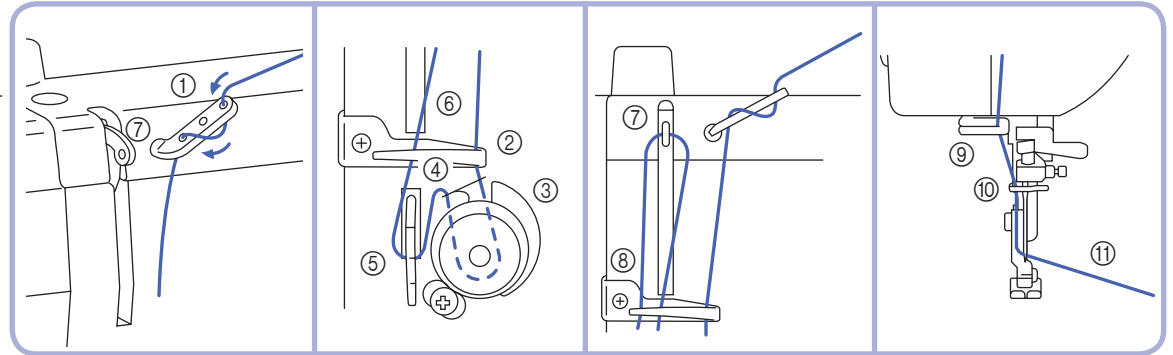
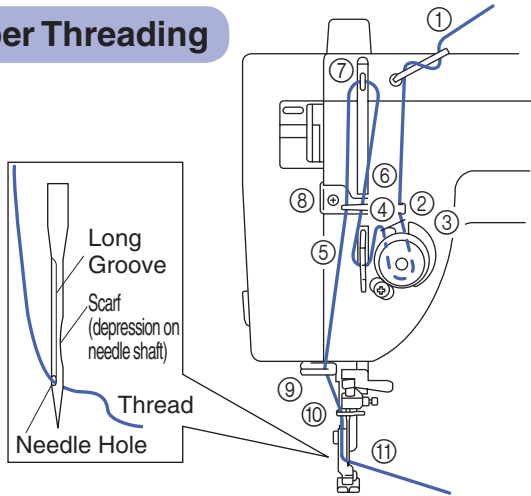
● When the fabric extension table is set in place



Open the bobbin thread setting cover beforehand, then following the above directions set the bobbin thread in place. (You can set the bobbin thread in place without removing the fabric extension table.)

Threading (2)

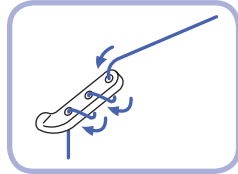
Upper Threading



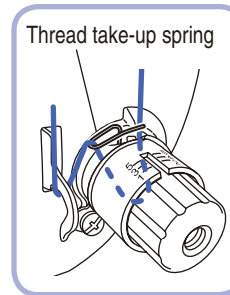
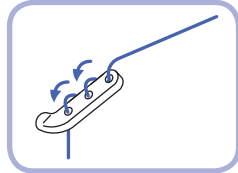
● Make sure thread take-up lever (7) is in highest position and presser foot is up.

* Thread tension may not be adjusted adequately unless the thread runs correctly through the take-up spring.

* When using polyester thread or thread that tangles or breaks, run the thread through all three holes of the thread guide.



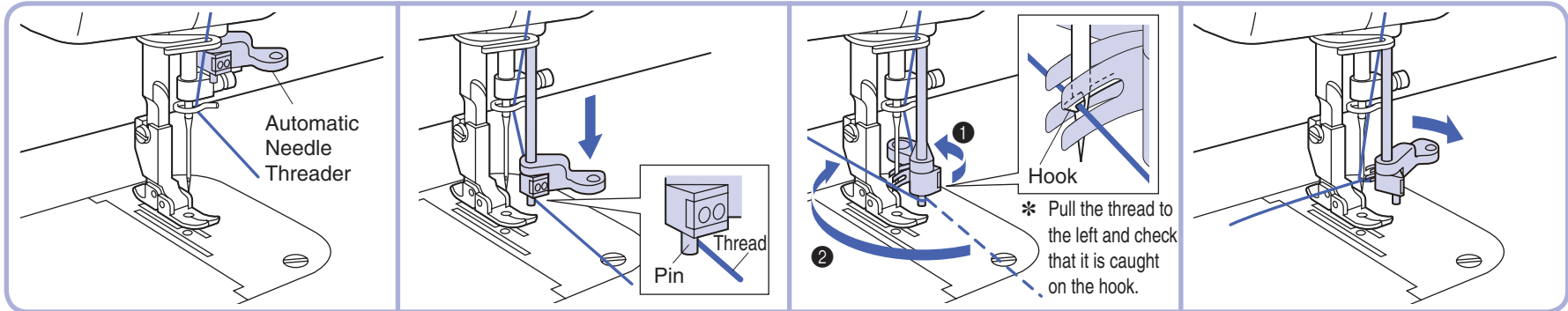
* If the thread still tangles or breaks, run the thread through the holes backwards as shown in diagram.



! CAUTION

Turn off the power to the machine before using the automatic needle threader. Otherwise, it may cause injuries if you unintentionally press down on the foot controller.

Using the Automatic Needle Threader

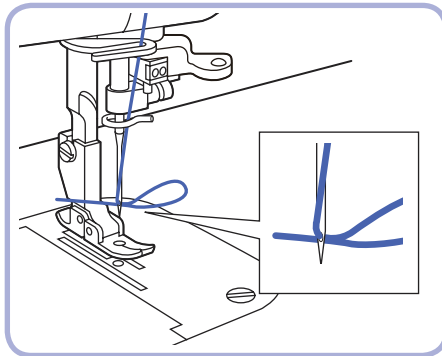


- ① Rotate handwheel towards you until needle is in the highest position, and lower presser foot.
- ② Take thread in your left hand, and gently pull it forward.

- ③ Lower automatic needle threader.
 - * Pull thread along the right side of the pin.
 - * Do not force the needle threader lower than the eye of the needle. Be sure that the needle is in the highest position.

- ④ Turn the needle threader lever all the way in the direction of ① and when the hook extends from the needle hole, pull the thread in the direction of ② to catch it on the hook.
 - * Pull the thread to the left and check that it is caught on the hook.

- ⑤ While holding the thread gently, return the needle threader lever to the right. As you do this the hook that has caught the thread will move as well, pulling a loop of thread through the eye of the needle.

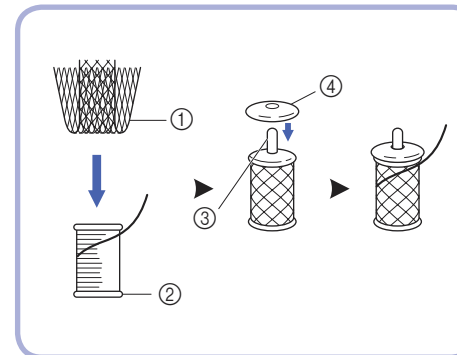


- ⑥ Before sewing, pull the thread loop to the right and then pull the thread tail towards the back of the machine following the opening in the presser foot.

Needle (HLX5)	Thread
#9	#20 #30 #50 #60
#11	#20 #30
#14	#20 #30
#16	#20

- The automatic needle threader cannot be used with the thread-needle combinations illustrated in the chart shown above. Transparent nylon thread can be used regardless of the chart, providing the needle used is a #14 or #16.

Using the Spool Net



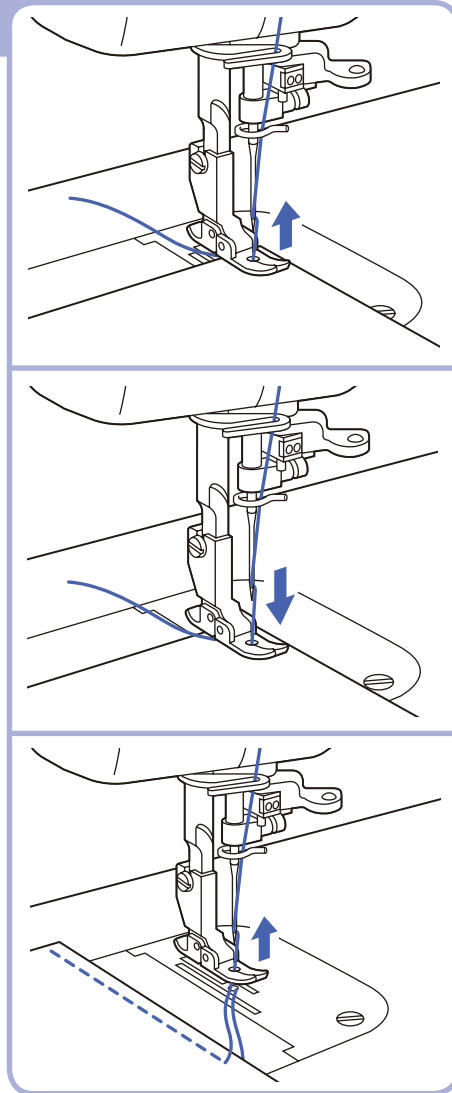
If using transparent nylon thread, metallic thread, or other strong thread, place the included spool net over the spool before using. If the spool net is too long, fold it once to match it to the spool size before placing it over the spool.

- ① Spool net
- ② Thread spool
- ③ Spool pin
- ④ Spool cap

Stitch Samples and Needle Chart

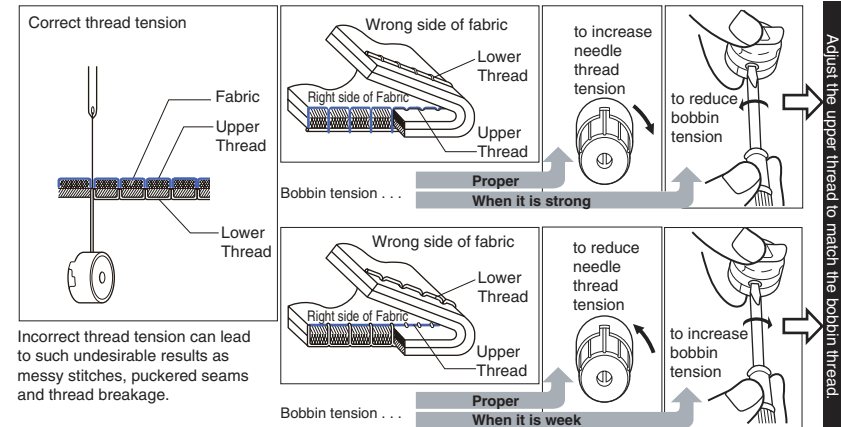
Stitch Samples

- ① Set stitch length regulator to desired stitch length.
 - ② Make sure approximately 15 cm (6 inches) of upper thread is pulled under the presser foot and toward the rear of the machine. While needle is in raised position, insert a test strip from the garment fabric under the foot.
 - ③ Lower presser foot.
 - ④ Turn the handwheel toward you to lower the needle through the fabric, then press gently on the foot controller to begin.
 - ⑤ Turn the handwheel toward you to raise the needle and thread take-up lever to their highest positions.
 - ⑥ Raise the presser foot, remove fabric and then manually cut the thread with the cutter on the left side of the head of the machine or with a pair of scissors.
- * When using thread cutter:
- ⑤ Press the thread cutter button while the presser foot lever is in the down position.
 - ⑥ Raise presser foot and remove fabric.



Thread Tension

* Bobbin thread should feed smoothly. Adjust bobbin thread to match that of upper thread. (If bobbin thread is too tight it may cause fabric to bunch up.)



● Selecting the proper needle for use with the fabric and thread you are working with

* The following chart applies to many different fabric, thread and needle combinations.

	Fabric - Thread - Needles			HLX5	Schmetz 130/705H
	Cloth	Thread	Needle (HLX5)		
Specialty fabrics	Velvet	Silk, Polyester #30 – #50	#11 – #14	#9	#65
	Quilt	Polyester #20 – #50	#11 – #16	#11	#75
	Synthetic Suede	Polyester #20 – #50		#14	#90
	Knit	Polyester #20 – #50		#16	#100
	Coating	Polyester #50	#11 – #14	#18	#110
Light weight fabrics	Lawn	Cotton #80	#9		
	Tricot	Polyester #60			
	Silk Georgette	Silk #50			
	Wool Georgette	Silk, Polyester #50	#11		
Medium weight fabrics	Gingham	Cotton #60 – #80	#11 – #14		
	Lightweight Jersey	Polyester #60	#11		
	Gabardine, Flannel	Silk #50			
Heavy weight fabrics	Denim	Cotton #20 – #50	#14 – #18		
	Jersey	Polyester #20 – #50	#11 – #16		
	Tweed	Silk #20 – #50			

* HLX5 needles are recommended; however, Schmetz 130/705H needles may also be used under normal sewing conditions.

* Adjust the pressure adjustment dial and the feed dog adjustment knob according to the chart on the sewing machine.

* When sewing on knit fabrics such as jersey or tricot, use a ballpoint needle or a needle designed for use with knit fabrics.

* For best results when using metallic threads, sew with a good quality thread, set upper tension on 2, and use metallic needle.

Changing Presser Feet

⚠ CAUTION

Make sure the power to the machine is off before changing presser feet.

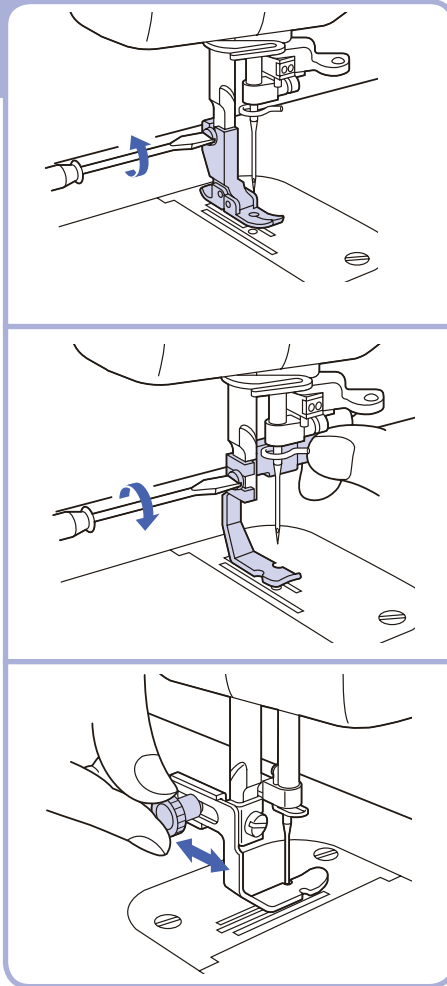
Changing Presser Feet (Zipper Foot)

- ① Raise presser foot, and raise needle to highest position.
- ② Loosen and remove screw using screwdriver.

- ③ Attach zipper foot and tighten screw.

- * Use the same method to attach the other feet that come with your machine.
- * See page 23 for directions on attaching the “Walking Foot”.

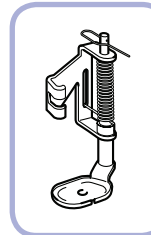
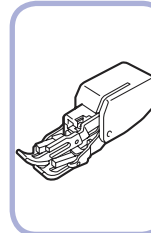
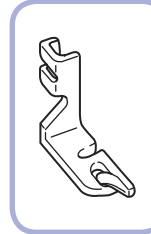
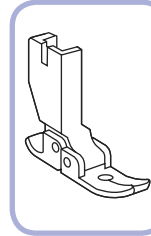
- * Use the position knob on back of the zipper foot to adjust position of foot in relation to needle.
- * Only the zipper foot has a position knob. You can begin sewing with all other presser feet immediately after attaching.



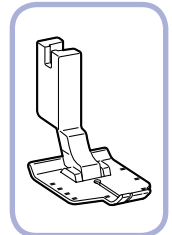
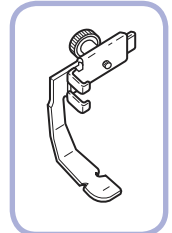
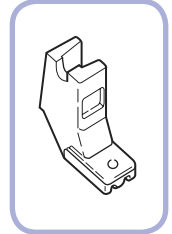
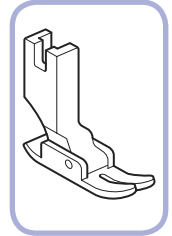
Presser Feet

* Use only feet supplied with your machine. Each foot is specially designed for this machine and has clearance for the pin at the rear of each foot. Use of other presser feet may damage or break the pin feed mechanism.

- **Flex Reaction Foot**
For perfect stitching on otherwise difficult fabrics like velvet, leather and suede.
- **Rolled Hem Foot**
Use on the edge of fabric, such as on hems of dress shirts, to fold the edge of the fabric in three while sewing.
- **Walking Foot**
For sewing or quilting on fabrics which stick or tend to slip. Useful for sewing multiple layers as in quilting.
- **Free Motion Quilting Foot**
Spring action foot for darning, quilting or free motion embroidery.

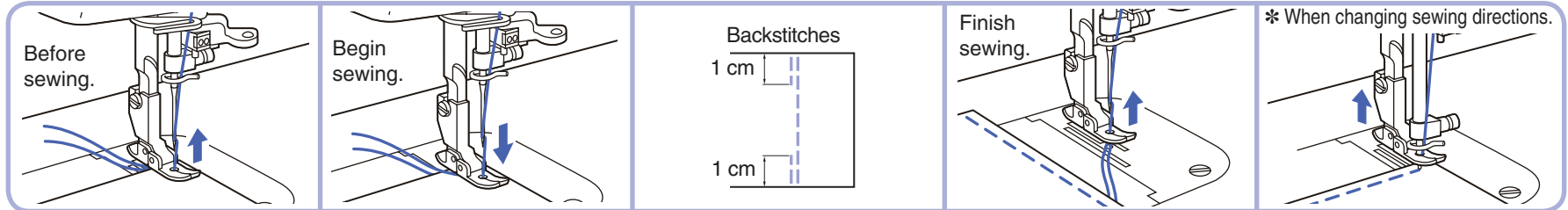


- **General Purpose Foot**
This foot is used for most sewing. (Can also be used for sewing thick fabrics or seams.)
* When sewing thick seams, lightly guide the fabric with your hand on the downward side of the seam.
* Can also be used with pin feeding.
- **Invisible Zipper Foot**
Use to attach concealed fasteners.
- **Zipper Foot**
Use to attach fasteners other than concealed fasteners. The zipper foot can also be used to secure piping in place as you sew. Use the side of the foot closest to the needle to rest against the edge of the piping as you sew.
- **1/4" Foot**
For quilt and patchwork piecing with 1/4" or 1/8" seam allowance.



Basic Sewing (1)

Basic Sewing



① Raise presser foot, pull about 15 cm (6 inches) of upper and bobbin thread under and behind foot, and position fabric under foot.

② Lower presser foot lever to lower foot.
③ Turn the handwheel toward you to lower the needle through the fabric, then press gently on the foot controller to begin.

* At the beginning and end of a seam, press down the reverse stitch lever and backstitch about 1 cm (3/8 inch).

④ Raise needle to highest position.
⑤ Raise presser foot, remove fabric and cut thread.
* When using thread trimmer:
④ Push thread trimmer button (this will cause the upper and bobbin threads to be cut automatically and the needle to stop in a raised position).
⑤ Raise presser foot and remove fabric.

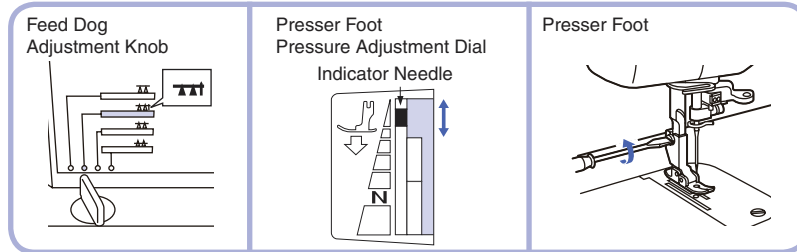
* When changing sewing directions.

① Make sure needle is pierced all the way through fabric.
② Raise presser foot, and turn fabric using needle as an axis.
③ Lower presser foot and continue sewing.

Pin Feeding (for hard-to-handle fabrics)

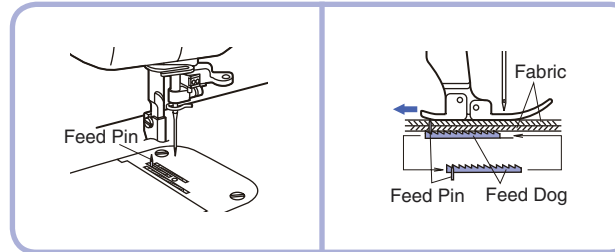
Velvet, quilt fabric, synthetic suede, knits and other fabrics can be joined evenly by activating the pin feed mechanism.

● Machine Set-up for Pin Feeding



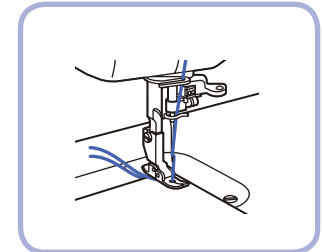
① Move feed adjustment knob to pin feeding position.
② Adjust pressure adjustment dial until indicator needle is in the right position in the matching color coded area.
③ Attach flex reaction presser foot for perfect stitching on difficult fabrics like velvet, leather and suede.

● Pin Feeding Mechanism



The feed pin passes up through all layers of fabric moving with the feed dog's motion to feed all layers of the fabric evenly.
* For safety, the feed pin is automatically lowered when presser foot is raised.

● Start to Sew



Gently pull thread until feed pin catches fabric and sew.

! CAUTION

While the presser foot lever is lowered, the feed pin appears up through the feed dog. Keep your fingers away from the feed pin.

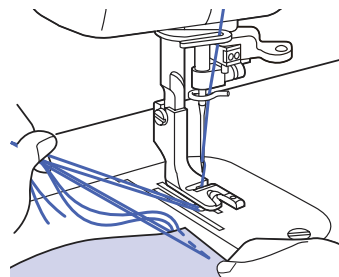
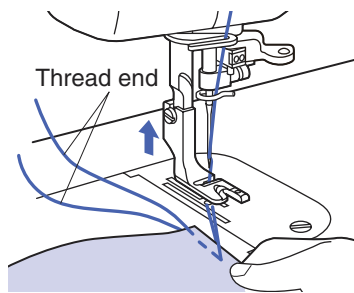
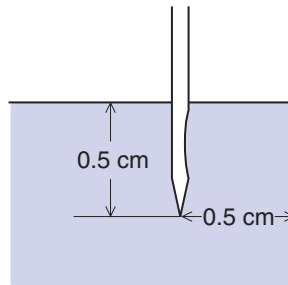
Basic Sewing (2)

⚠ CAUTION

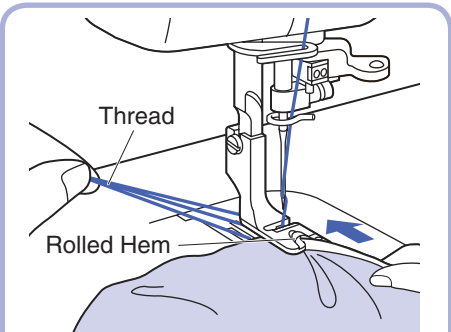
Make sure the power to the machine is off before changing presser feet.

Rolled Hem Foot

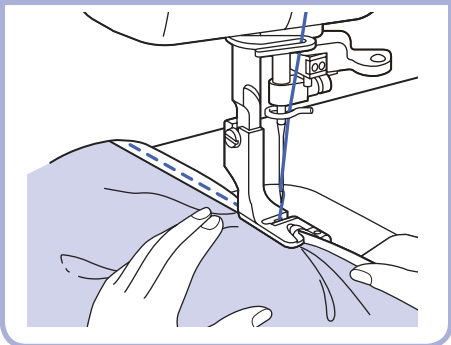
- ① Attach rolled hem foot.
- * Refer to page 18 for instructions on changing sewing feet.
- ② Position the fabric (reverse side facing up) under the presser foot. Insert needle approximately 0.5 cm (3/16 inch) from the edge of the fabric and sew 2 stitches.
- ③ Turn the handwheel towards you to raise the needle, raise the presser foot, then pull the fabric forward.
 - * Be sure not to unthread the fabric while pulling it forward.
- ④ Hold the 4 threads in your left hand.



- ⑤ With your right hand, put the edge of the rolled hem under the presser foot, from the spot where the threads come out. Insert the edge so that it lies directly under the needle. Lower the presser foot.



- ⑥ Pull gently on threads in left hand while sewing the first 3-4 stitches to hold them in place.
- ⑦ Fold hem over about 0.5 cm (3/16 inch) and continue feeding folded hem under foot while sewing towards the curved guide on the foot.



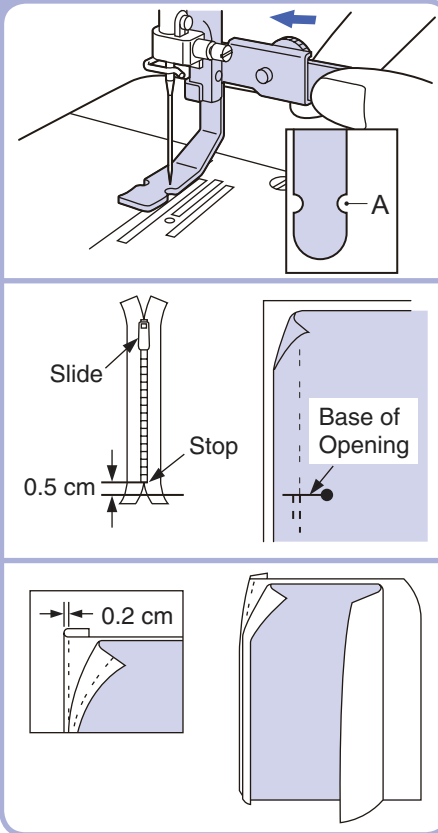
Basic Sewing (3)

⚠ CAUTION

- Make sure the power to the machine is off before changing feet.
- When attaching zippers to stretch fabrics, use the pin feed method and adjust foot pressure accordingly.
- The zipper foot can also be used as a guide when attaching piping to fabric.

Zipper Foot

- ① Attach zipper foot.
 - * See “Changing Presser Feet (Zipper Foot)” on page 18.
- ② Turn the handwheel towards you to lower the needle and adjust the position of the foot relative to the needle using the adjustment screw to slide the foot from left to right.
- ③ Line up zipper to the section of fabric it will be attached to, and mark the base of the opening on the fabric. It should be set approximately 0.5 cm (3/16 inch) below zipper stop. Sew from below the base of the opening.
- ④ Divide the seam margin. Fold the seam margin with the overlap of the zipper position facing down 0.2 cm (1/16 inch) on the outside of the mark.



- ⑤ Secure the zipper with basting and sew along the mark.

⚠ CAUTION

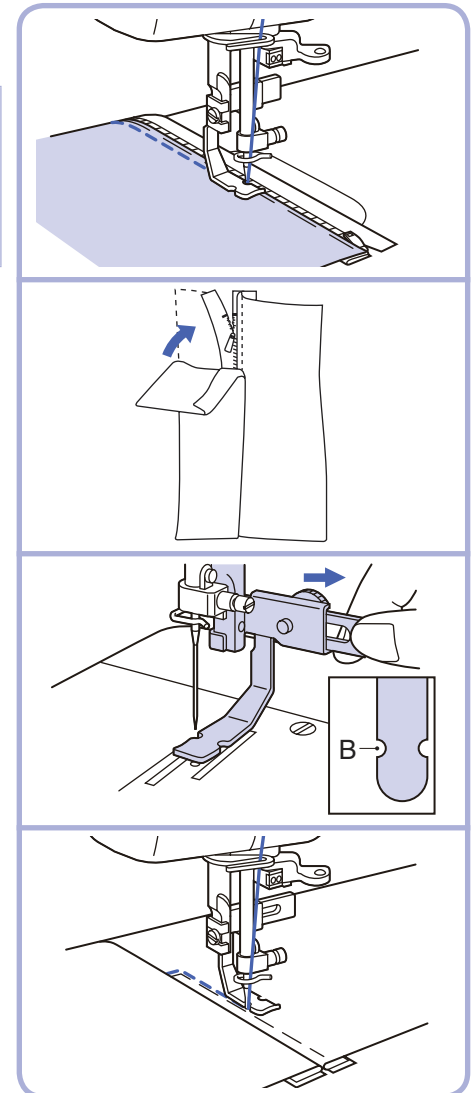
Make sure the needle does not strike the metal part of the zipper when sewing. The needle may break and cause injury.

- ⑥ Line up the folded hem on the opposite side with the stitches.

- ⑦ Change position of zipper foot.
- ⑧ Turn the handwheel to lower the needle and position the presser foot.

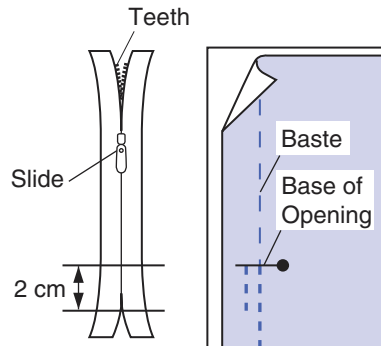
- ⑨ With the fabric right side up, baste the zipper onto the fabric, then sew the edge of the basting.

- * Reinforce base of opening by sewing over it twice.
- * If the zipper slide gets in the way, lower the needle all the way through the fabric, raise the foot, and move the slider out of the way.

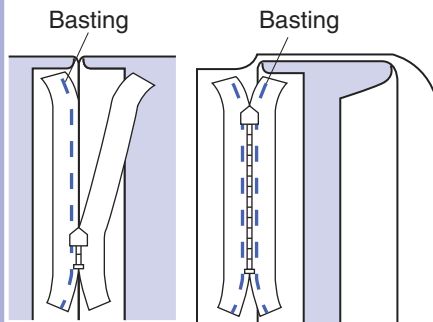


Invisible Zipper Foot

- ① Attach invisible zipper foot.
- ② Align zipper with fabric. Mark the base of the opening approximately 2 cm (3/4 inch) above the end of the zipper.

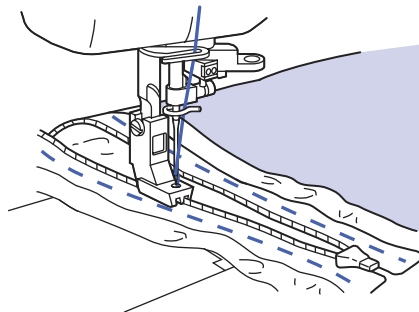


- ③ Baste the zipper position.
- ④ Separate the seam allowance.
- ⑤ With the zipper mounted, baste just the seam margin on one side of the zipper.
- ⑥ Close the zipper and baste the other side of the zipper.
- ⑦ Remove the basting at the zipper position.



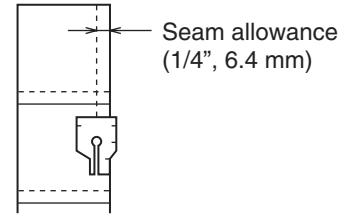
- ⑧ Fit the zipper teeth into the presser foot groove, guide the teeth to prevent them from coming out of the groove, and sew to the base of the opening.

* When sewing with the teeth to the right, the left side of the foot should line up with the left teeth of the zipper.

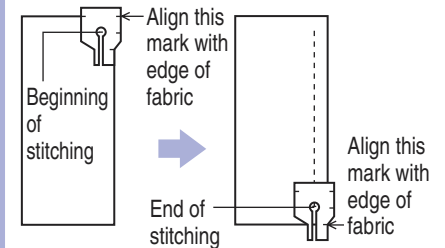


1/4" Foot

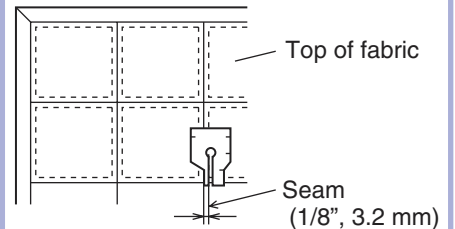
- Sewing machine settings:
Stitch length = 2 - 2.5 mm
- Sew a consistent seam allowance (1/4", 6.4 mm) when piecing together a quilt.



- Use guides (mark) to begin, end, or pivot 1/4" (6.4 mm) from edge of fabric.



- Accurately top stitch 1/8" (3.2 mm) from seam.

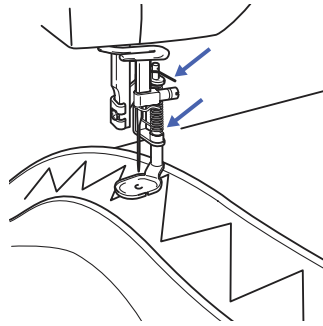


Free Motion Quilting Foot

Reduce the foot pressure and turn the dial on the machine lowering the feed dog for free motion quilting.

Note

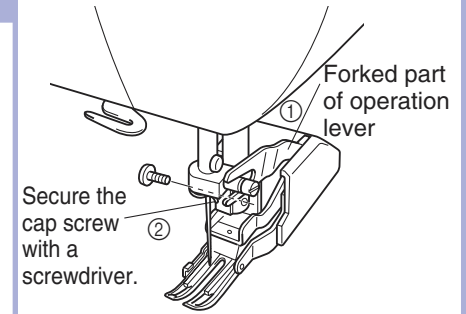
- If the foot is frequently used, be sure to apply a small amount of oil about once a month to the area indicated by the arrows. (If too much oil is applied, wipe off the excess with a cloth.)
- For best results when using metallic or monofilament threads for free motion quilting, sew with a good quality thread, set upper tension 1-2, and use a metallic needle.



Walking Foot

Note

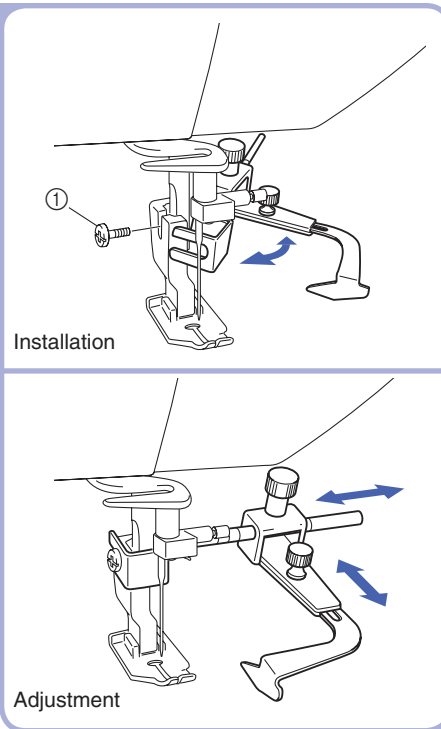
- Do not press the foot controller all the way down. Try to keep the sewing speed low (500 r.p.m. or less).
- The fabric may not feed properly if you sew at high speeds.
- The feed dog for feeding the cloth may not move if the foot pressure on the fabric is too strong. Use the presser foot pressure adjustment dial to achieve the desired results.
- It is not advisable or necessary to use the Pin Feed mode with the walking foot.



- ① Insert the forked part of the operation lever, while raised in an upright position, onto the screw on the right side of the needle bar, as shown and then insert the cap screw.
- ② Tighten the screw securely with a screwdriver. Tightening adequately is important as the screw might loosen due to the foot and forked operation lever vibration.

Seam Guide

- ① Tighten the screw securely with a screwdriver since it might otherwise loosen due to vibration.



Turn adjustment screws as arrow images suggest to set the position of the Seam Guide foot.

Caring for Your Machine

Cleaning the Machine

⚠ CAUTION

Make sure the power to the machine is off before cleaning sewing machine.

- ① Turn machine off.
- ② Remove presser foot.
- ③ Remove needle plate.
- ④ Clean out dust and thread scraps.

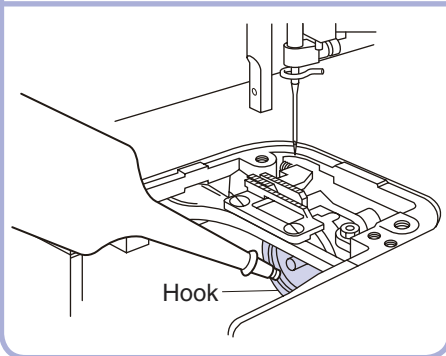
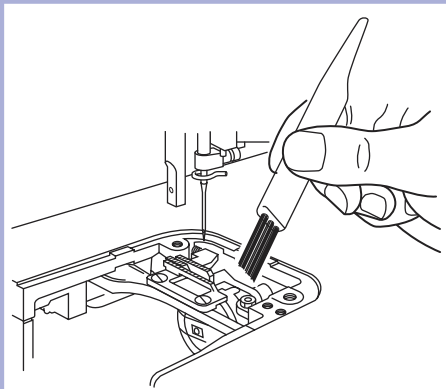
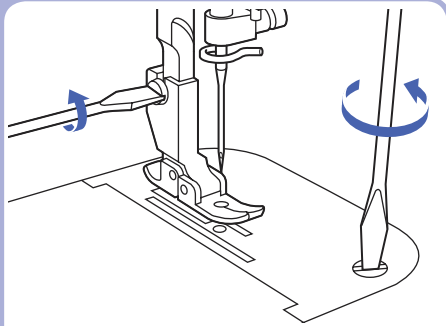
* Thread scraps can be swept out through the bobbin door.

- ⑤ When the area under the needle plate is cleaned out, oil the hook of bobbin case with sewing machine oil.

* Use a cloth to clean the machine of any excess oil.

* Use only good quality sewing machine oil.

- ⑥ Attach needle plate and presser foot.

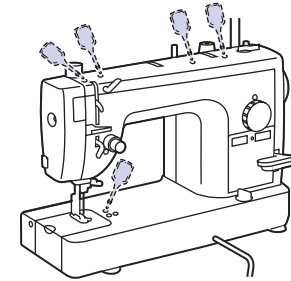


Lubrication Points

● When using the sewing machine every day, apply a few drops of oil* to each location indicated twice a month.

* Use a cloth to wipe the machine clean of any oil spilled near the lubrication points.

* Use only good quality sewing machine oil.

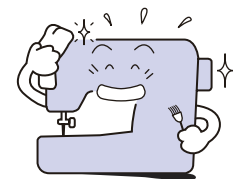


■ Keep Your Sewing Machine Clean

Please use a soft, dry cloth to wipe off light dirt and dust. If sewing machine is very dirty, wipe with a cloth soaked in warm water, or in warm water containing a neutral detergent. Then wipe off any detergent residue, and wipe off any excess water with a dry cloth.

■ Precautions

Please keep sewing machine away from heat sources such as irons and space heaters. Do not use chemicals like benzine or thinner to clean your machine. When machine is not in use, please keep machine out of direct sunlight.



Item	Specification		
Sewing Speed (maximum)	1,500 stitches per minute		
Stitch Length (pitch)	0 – 7 mm		
Stroke of Needle	34.1 mm		
Stroke of Thread Take-Up Lever	64.7 mm		
Foot Height	Foot Lift	One	6 mm
		Two	9 mm
	Knee Lifter	Over	10 mm

Item	Specification
Height of feed dog	0.7 mm, 1.1 mm
Height of lower needle	3 mm – 3.5 mm
Needles that may be used	HLX5#9 – #18
Bed dimensions	SCHMETZ 130/705H #65 – #110 439 mm × 178 mm (17 1/4 × 7 inches)
Total weight	11 kg (24 1/4 lbs.)
Sewing Light	LED
Sewing area	595 mm × 285 mm (23 3/8 × 11 1/4 inches)

Trouble Shooting

* Before taking your sewing machine in for service, check the following chart.



● If you still cannot find the problem, please take your sewing machine into your nearest authorized Baby Lock retailer for repair.

Handwheel Doesn't Rotate

Thread is getting tangled.
Re-thread machine.
Clean bobbin case and under
needle plate. Oil the machine. 14-16, 25

Needle is not attached
correctly.
Reattach. 11

Needle is bent, or tip is
dull.
Change needle. 11

Thread Gets Tangled on Wrong Side of Fabric

Upper threading is not
threaded correctly.
Re-thread machine
properly. 15

Upper thread tension is
too low.
Increase tension. 17

Bobbin case may be scratched.
Remove needle plate and
check bobbin case.

● If you still cannot find the problem, please take your sewing machine into your nearest authorized Baby Lock retailer for repair.

* If you find it difficult to turn the handwheel, you may also see “Sewing Machine Doesn’t Run” in “Trouble Shooting”.

INTRODUCTION

Merci d'avoir choisi cette machine à coudre. Avant d'utiliser cette machine, lisez soigneusement les « INSTRUCTIONS DE SÉCURITÉ IMPORTANTES » et consultez ce manuel pour en savoir plus sur l'utilisation correcte des nombreuses fonctions disponibles.

En outre, après avoir lu ce manuel, rangez-le dans un lieu facile d'accès afin de pouvoir vous y reporter ultérieurement.

INSTRUCTIONS DE SÉCURITÉ IMPORTANTES

Veillez lire ces instructions de sécurité avant d'utiliser la machine.

DANGER - Pour réduire les risques d'électrocution

- 1** Débranchez toujours la machine de la prise électrique immédiatement après utilisation, lorsque vous la nettoyez, lorsque vous procédez à des opérations d'entretien mentionnées dans ce manuel, ou si vous la laissez sans surveillance.

AVERTISSEMENT - Pour réduire les risques de brûlure, d'incendie, d'électrocution ou de blessures.

- 2** Débranchez toujours la machine de la prise électrique lorsque vous procédez à des réglages mentionnés dans ce manuel d'instructions.
 - Pour débrancher la machine, mettez-la sur « O » (position de mise hors tension), puis retirez la fiche de la prise d'alimentation électrique. Ne tirez pas sur le cordon.
 - Branchez directement la machine dans une prise d'alimentation électrique. N'utilisez pas de rallonge.
 - Débranchez toujours votre machine en cas de coupure d'électricité.
- 3** Accidents d'origine électrique :
 - Cette machine doit être connectée à une source d'alimentation secteur dans la plage indiquée sur la plaque signalétique. Ne la branchez pas à une source d'alimentation continue ni à un transformateur électrique. Si vous ne savez pas de quelle source d'alimentation vous disposez, contactez un électricien qualifié.
 - Cette machine est homologuée pour être utilisée dans le pays d'achat uniquement.

4 N'utilisez jamais cette machine si sa fiche ou son cordon d'alimentation est endommagé, si elle ne fonctionne pas correctement, si elle est tombée ou a été endommagée, ou en cas de contact avec de l'eau. Renvoyez-la au revendeur Baby Lock agréé le plus proche à des fins d'examen, de réparation ou de réglage électronique ou mécanique.

- Lorsque votre machine est stockée ou en cours d'utilisation, si vous remarquez quelque chose d'anormal (odeur, chaleur, décoloration ou déformation), arrêtez immédiatement de l'utiliser et débranchez le cordon d'alimentation.
- Portez toujours la machine en la tenant par sa poignée. En la tenant par une autre pièce, vous risqueriez de l'endommager ou de la faire tomber et de vous blesser.
- Lorsque vous soulevez la machine, veillez à ne pas faire de mouvement brusque ou intempestif; vous risqueriez de vous blesser.

5 Maintenez toujours votre espace de travail dégagé :

- N'utilisez jamais la machine lorsque les aérations sont obstruées. Ne laissez pas les peluches, poussières et tissus s'accumuler et boucher les ouvertures de ventilation de la machine et de la pédale de commande.
- Ne placez aucun objet sur la pédale.
- N'insérez ou ne laissez tomber aucun corps étranger dans les ouvertures.
- Ne faites pas fonctionner la machine en cas d'utilisation d'aérosols (pulvérisations) ou d'administration d'oxygène.
- N'utilisez pas la machine à proximité d'une source de chaleur, telle qu'une cuisinière ou un fer à repasser. La machine, le cordon d'alimentation ou le vêtement en cours de confection risqueraient de prendre feu, vous exposant à des risques de brûlure ou d'électrocution.
- Ne posez pas cette machine sur une surface instable, telle qu'une table bancale ou inclinée. Elle risquerait de tomber et de vous blesser.

6 Soyez tout particulièrement attentif pendant la couture :

- Faites toujours très attention à l'aiguille. N'utilisez pas d'aiguilles tordues ou cassées.
- Ne touchez aucune pièce en mouvement. Vous devez faire preuve d'une grande prudence avec l'aiguille de la machine.
- Mettez la machine sur « O » pour la mettre hors tension lorsque vous procédez à des ajustements à proximité de l'aiguille.
- N'utilisez pas de plaque à aiguille endommagée ou inadéquate. Vous risqueriez de casser l'aiguille.
- Ne poussez pas ni ne tirez le tissu pendant la couture, et respectez scrupuleusement les instructions lors de la couture en mouvement libre, afin de ne pas faire dévier l'aiguille et la casser.

7 Cette machine n'est pas un jouet :

- Vous devez donc être très attentif lorsque des enfants l'utilisent ou se trouvent à proximité.
- Tenez le sac en plastique contenant cette machine hors de portée des enfants, ou jetez-le. Ne laissez jamais les enfants jouer avec ce sac; ils risqueraient de s'étouffer.
- N'utilisez pas la machine à l'extérieur.

8 Pour une durée de vie prolongée :

- Ne rangez pas cette machine dans des endroits exposés directement à la lumière du soleil ou très humides. N'utilisez pas et ne rangez pas la machine à proximité d'un appareil de chauffage, d'un fer à repasser, d'une lampe à halogène ou tout autre appareil dégageant de la chaleur.
- Utilisez uniquement des savons ou détergents neutres pour nettoyer le boîtier. Le benzène, les solvants et les poudres à récurer peuvent endommager le boîtier et la machine et ne doivent donc jamais être utilisés.
- Pour une installation correcte, consultez toujours le manuel d'instructions pour remplacer ou installer tout ensemble de pièces, le pied-de-biche, l'aiguille ou toute autre pièce.

9 Pour la réparation ou le réglage :

- Si l'unité d'éclairage est endommagée, faites-la remplacer par un revendeur Baby Lock agréé.
- Lors d'un dysfonctionnement ou d'un réglage, suivez d'abord le tableau de dépannage à l'arrière du manuel d'instructions pour inspecter et régler la machine vous-même. Si le problème persiste, veuillez consulter votre revendeur Baby Lock local agréé.

N'utilisez cette machine que de la manière prévue, décrite dans ce manuel.

Utilisez les accessoires recommandés par le fabricant, comme mentionné dans ce manuel.

Le contenu de ce manuel et les spécifications de ce produit peuvent être modifiés sans avis préalable.

Pour plus d'informations sur le produit, consultez notre site Web www.babylock.com

CONSERVEZ CES INSTRUCTIONS

Cette machine est conçue pour une utilisation domestique.

POUR LES UTILISATEURS DES PAYS HORS EUROPE

Cet appareil n'est pas conçu pour une utilisation par des personnes (adultes ou enfants) souffrant d'incapacités physiques, sensorielles ou mentales, ou ne disposant pas de l'expérience ou des connaissances nécessaires, à moins qu'elles ne soient aidées par une personne veillant à leur sécurité. Il faut surveiller les enfants pour s'assurer qu'ils ne jouent pas avec cet appareil.

POUR LES UTILISATEURS DES PAYS EUROPÉENS

Les enfants de 8 ans ou plus et les personnes souffrant d'incapacités physiques, sensorielles ou mentales, ou ne disposant pas de l'expérience ou des connaissances requises, peuvent utiliser cet appareil s'ils sont encadrés ou s'ils ont reçu des instructions leur permettant de se servir de l'appareil en toute sécurité et de comprendre les risques encourus. Les enfants ne doivent pas jouer avec cet appareil. Le nettoyage et l'entretien ne doivent pas être effectués par des enfants sans supervision.

POUR LES UTILISATEURS AU ROYAUME-UNI, EN IRLANDE, À MALTE ET À CHYPRE UNIQUEMENT

IMPORTANT


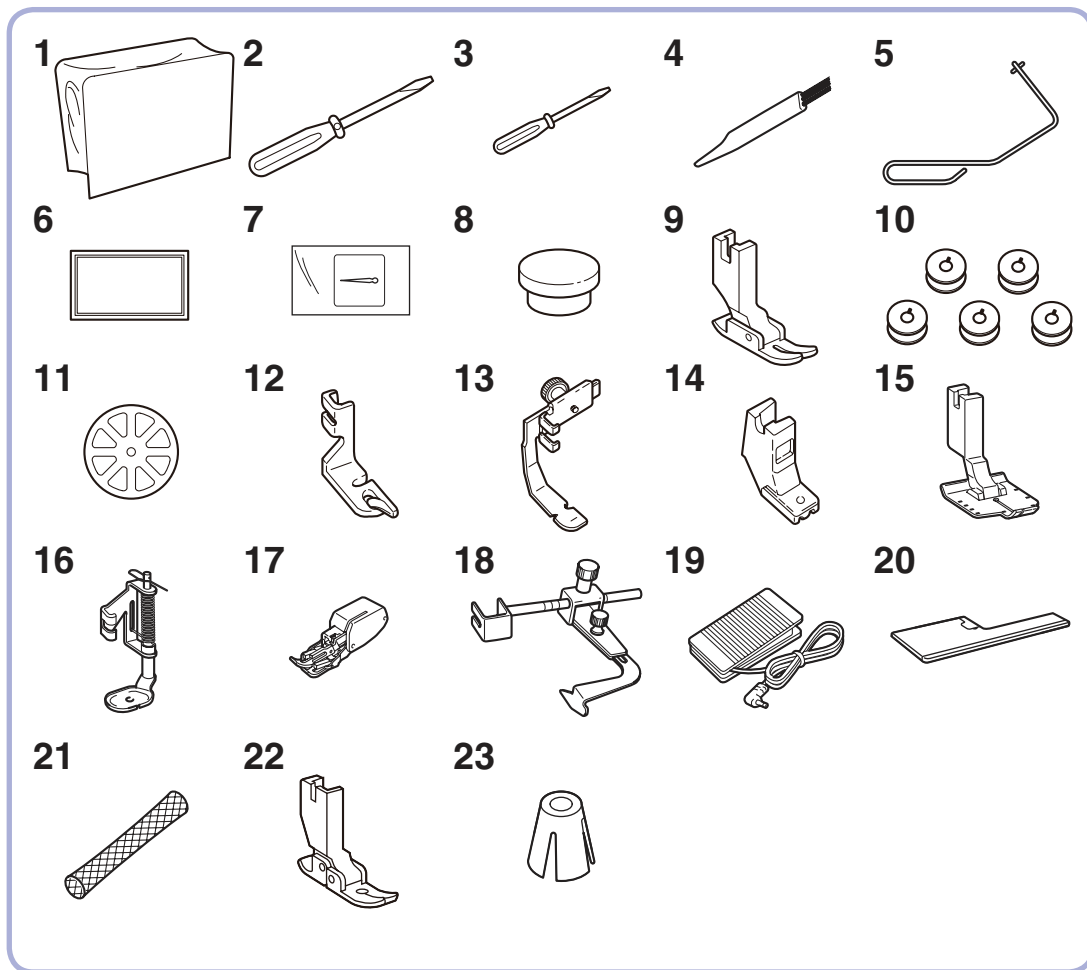
- En cas de remplacement du fusible de la fiche, utilisez un fusible certifié ASTA à BS 1362, c'est-à-dire portant la marque , d'une capacité correspondant à celle indiquée sur la fiche.
- Remettez toujours le couvercle du fusible. Ne branchez jamais la machine lorsque le couvercle du fusible est ouvert.
- Si la prise électrique disponible ne correspond pas à la fiche fournie avec cet équipement, vous devez contacter votre revendeur agréé pour obtenir le bon cordon.

TABLE DES MATIÈRES

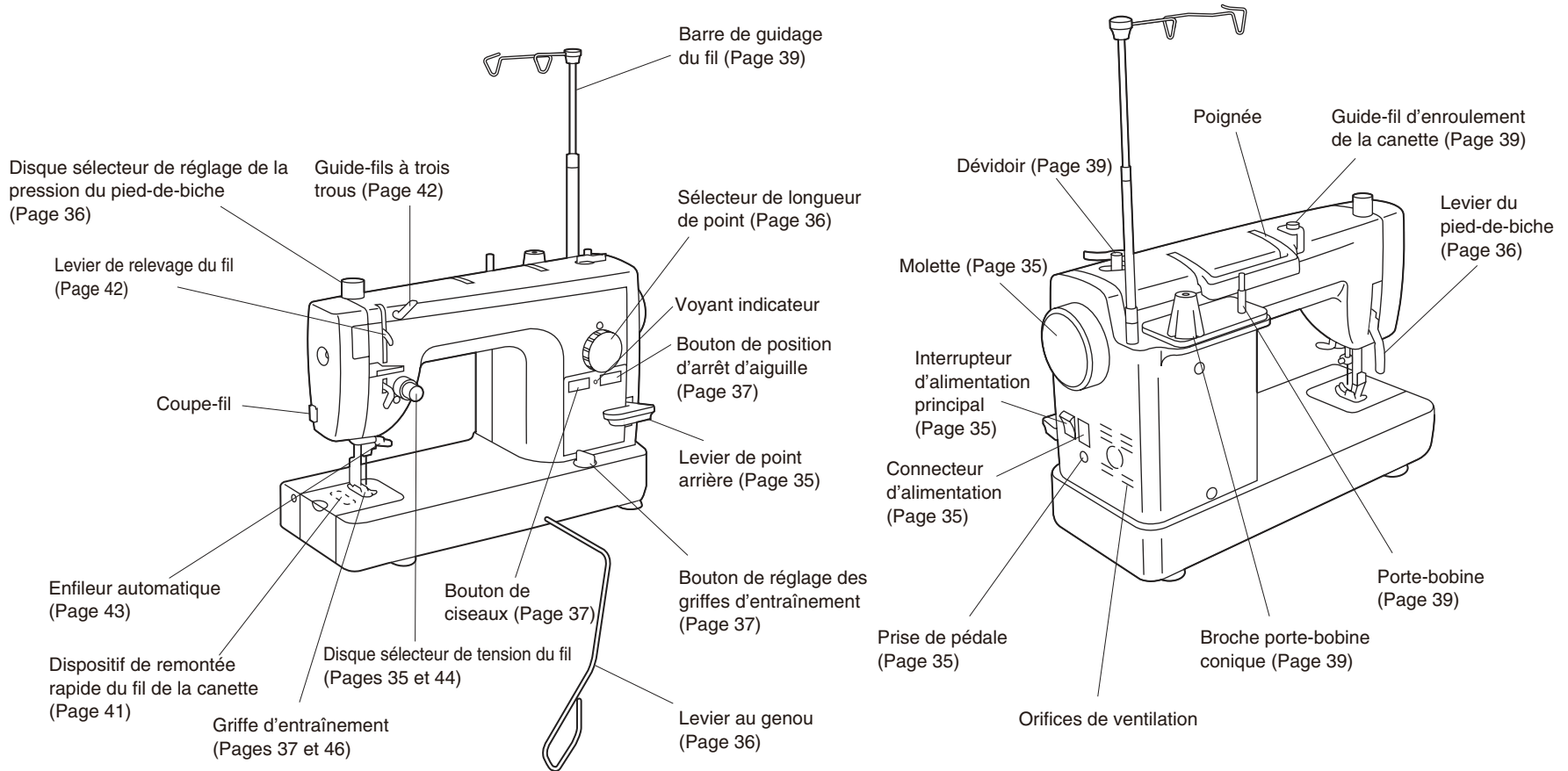
INTRODUCTION	28	Points d'essai et tableau d'aiguilles	44
INSTRUCTIONS DE SÉCURITÉ IMPORTANTES	28	Points d'essai	44
Accessoires	33	Tension des fils.....	44
Fonctions de la machine	34	Changement du pied-de-biche	45
Avant de commencer (1)	35	Changement du pied-de-biche (Pied pour fermeture à glissière)	45
Cordon d'alimentation et pédale.....	35	Les différents pieds-de-biche	45
Interrupteur d'alimentation principal	35	Couture de base (1)	46
Disque sélecteur de tension du fil	35	Couture de base.....	46
Molette.....	35	Entraînement par ergot (pour les tissus difficiles à manipuler)	46
Sélecteur de longueur de point	35	Couture de base (2)	47
Lever de point arrière	35	Pied pour ourlet rouleauté	47
Lever du pied-de-biche.....	36	Couture de base (3)	48
Lever au genou.....	36	Pied pour fermeture à glissière	48
Disque sélecteur de réglage de la pression du pied-de-biche.....	36	Pied pour fermeture à glissière invisible	49
Table de rallonge pour tissu	36	Pied 1/4"	49
Avant de commencer (2)	37	Pied pour quilting (courtepointe) à mouvement libre.....	50
Bouton de ciseaux.....	37	Pied à double entraînement	50
Bouton de position d'arrêt d'aiguille	37	Guide de couture.....	51
Bouton de réglage des griffes d'entraînement	37	Entretien de la machine à coudre	52
Remplacement de l'aiguille	38	Nettoyage de la machine.....	52
Remplacement de l'aiguille	38	Points de graissage	52
Remplacement de l'ergot d'entraînement	38	Dépannage	53
Enfilage (1)	39		
Remplissage de la canette	39		
Installation de la canette.....	41		
Enfilage (2)	42		
Mise en place du fil supérieur.....	42		
Utilisation de l'enfileur automatique.....	43		
Utilisation du filet de la bobine.....	43		

Accessoires



No. de pièce	Désignation	Code de pièce
1	Housse	XA0917-054
2	Tournevis moyen	XC9541-051
3	Petit tournevis	X554680-51
4	Brosse de nettoyage	X59476-051
5	Levier au genou	XA0830-051
6	Aiguilles et boîte (ORGAN HLX5) 1 Taille 9, 2 Taille 11, 1 Taille 14, 1 Taille 16, 1 aiguille à pointe-bille	X80805-151
7	Axe d'avance	138483-051
8	Extracteur d'axe d'avance	XC1407-051
9	Pied à usage général	XA1425-001
10	Canette (5)	100376-051
11	Capuchon de bobine	XA2111-050
12	Pied pour ourlet rouleauté	X57138-101
13	Pied pour fermeture à glissière	112797-001
14	Pied pour fermeture à glissière invisible	XC0093-001
15	Pied 1/4"	XA7258-001
16	Pied pour quilting (courtepointe) à mouvement libre	XA7255-301
17	Pied à double entraînement	XA7253-001
18	Guide de couture	XA7256-001
19	Pédale	XC8816-051
20	Table de rallonge pour tissu	XC3117-051
21	Filet de la bobine	XA5523-050
22	Pied à réaction souple (sur la machine)	136021-001
23	Broche porte-bobine conique (sur la machine)	XF2071-001

Fonctions de la machine



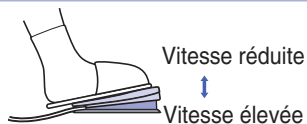
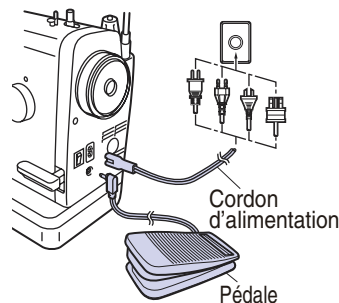
Avant de commencer (1)

Cordon d'alimentation et pédale

⚠️ AVERTISSEMENT

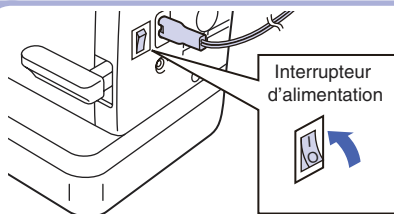
Utiliser un courant secteur domestique ordinaire.

- Branchez le cordon d'alimentation.
- Insérez le connecteur de la pédale dans la machine.
- Lorsque vous appuyez légèrement sur la pédale, la machine fonctionne à vitesse réduite. Lorsque vous appuyez plus fort sur la pédale, la vitesse de la machine augmente. Lorsque vous enlevez votre pied de la pédale, la machine s'arrête.



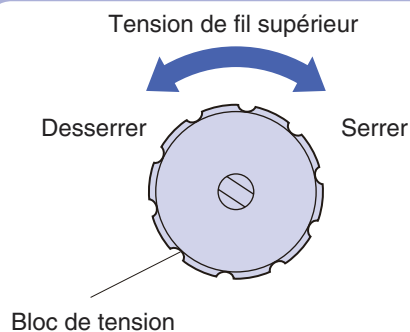
Interrupteur d'alimentation principal

- Mettre l'interrupteur d'alimentation en position « I » pour mettre la machine sous tension.
- Pour éteindre la machine, mettre l'interrupteur d'alimentation en position « O ».



Disque sélecteur de tension du fil

- Pour augmenter la tension du fil, tourner le sélecteur de tension vers la droite. Le fil supérieur et le fil de la canette se rejoignent sur le bon côté du tissu.
- Pour diminuer la tension du fil, tourner le sélecteur de tension vers la gauche. Le fil supérieur et le fil de la canette se rejoignent sur le mauvais côté du tissu.

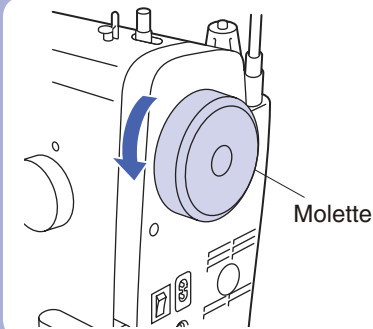


Molette

- Positionner l'aiguille à l'aide de la molette.
- * Toujours faire tourner la molette vers soi.

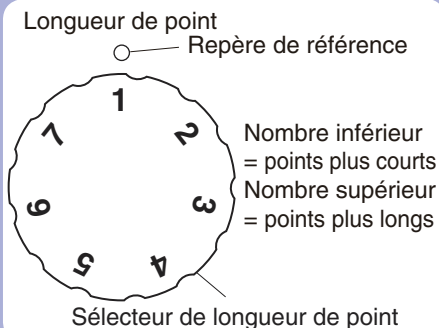
⚠️ ATTENTION

Veillez à dégager la zone en dessous et autour de l'aiguille.



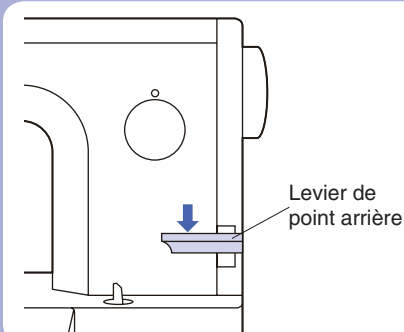
Sélecteur de longueur de point

- Régler la longueur de point à l'aide du sélecteur de longueur de point.



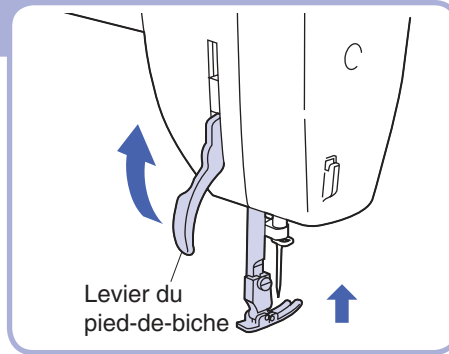
Levier de point arrière

- Pour coudre en marche arrière, abaisser le levier de point arrière.
- * Abaisser en continu et au maximum le levier pour coudre en marche arrière.
- * Lorsque le sélecteur de longueur de point est réglé entre 5-7 mm, la longueur du point arrière est toujours de 5 mm.



Levier du pied-de-biche

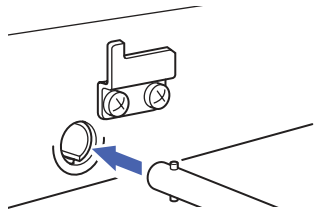
- Abaisser le levier du pied-de-biche pour abaisser le pied sur le tissu et activer la fonction de tension du fil.
- * Pour travailler dans du tissu lourd et des tissus qui ne glissent pas facilement sous le pied, relever le levier du pied-de-biche pour placer le tissu.



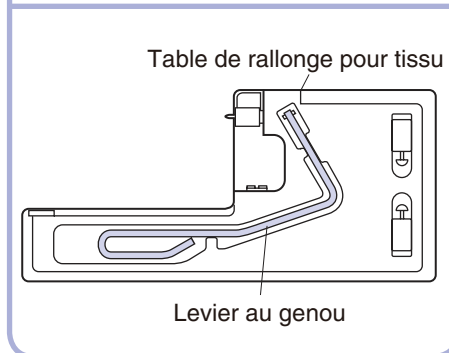
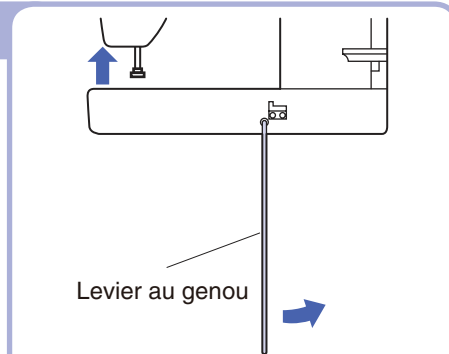
Levier au genou

- Le levier au genou est pratique pour soulever et abaisser facilement le pied-de-biche en gardant les mains libres.

Installation du levier au genou.



- * Enfoncer la barre du levier au genou à fond dans la prise.
- * Lorsque vous n'utilisez pas le levier au genou, vous pouvez le ranger en dessous de la table de rallonge pour tissu.



Disque sélecteur de réglage de la pression du pied-de-biche

- Tourner le sélecteur de pression pour faire monter ou descendre l'aiguille de l'indicateur de pression à mesure que la pression du pied-de-biche change. Voir également: « Bouton de réglage des griffes d'entraînement », page 37.
- * Voir « Tension des fils » à la page 44.
- * Coordonner le code de couleur pour obtenir un réglage correct de la pression du pied et des griffes d'entraînement.

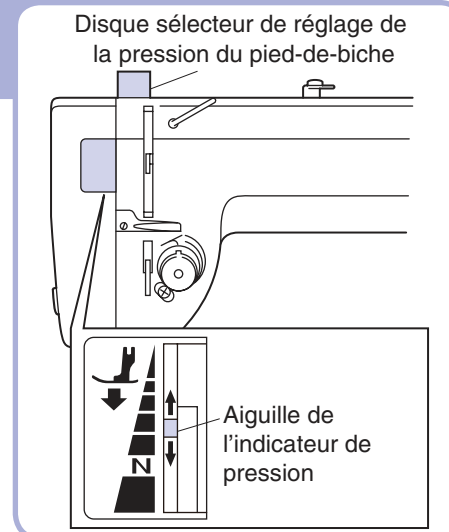
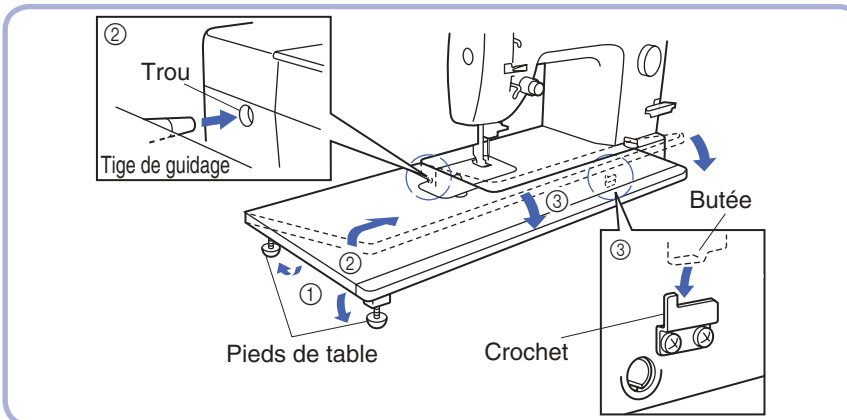


Table de rallonge pour tissu

- Abaisser les pieds de table réglables et faire glisser la table de rallonge pour tissu sur la machine.



Avant de commencer (2)

Bouton de ciseaux

⚠ ATTENTION

Si la machine s'arrête, notamment en cas de bourrage de fils, ne pas appuyer sur la pédale; mettre la machine hors tension et déplacer l'aiguille avec la molette pour vérifier la situation. Sinon, l'aiguille risque de casser.

- Les ciseaux coupent le fil supérieur et le fil de la canette à la fin des coutures.



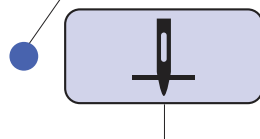
Bouton de ciseaux

- * Appuyer avec le levier du pied-de-biche abaissé.

Bouton de position d'arrêt d'aiguille

- Quand le voyant est allumé, la machine arrêtera la couture lorsque l'aiguille sera abaissée et enfoncée dans le tissu.
- Si le voyant est éteint, la position de l'aiguille au moment de l'arrêt de la couture sera aléatoire.
- Si le mécanisme de sécurité s'est déclenché, par exemple si le fil est emmêlé, le voyant rouge clignote.

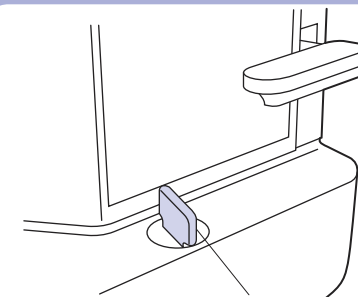
Voyant indicateur



Bouton de position d'arrêt d'aiguille

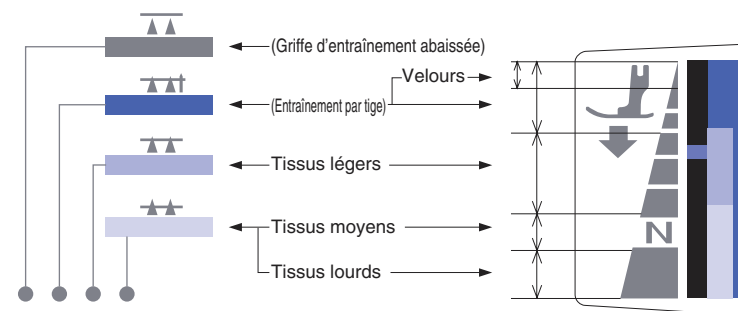
Bouton de réglage des griffes d'entraînement

- Il est possible de régler la hauteur de la griffe d'entraînement en fonction du poids du tissu.




Bouton de réglage des griffes d'entraînement

Pression du pied-de-biche et position des griffes d'entraînement



Sélectionner l'une des quatre positions de griffes d'entraînement, en fonction des besoins.

Remarque

- Si on sélectionne un réglage autre que , le mécanisme d'entraînement par ergot ne fonctionnera pas.
- Coordonner le code de couleur pour obtenir un réglage correct de la pression du pied et des griffes d'entraînement.

Remplacement de l'aiguille

⚠ ATTENTION

Bien éteindre la machine à coudre avant d'effectuer les opérations suivantes. Sinon, la machine risque de se mettre en marche accidentellement et de provoquer des blessures.

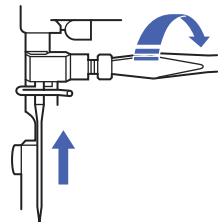
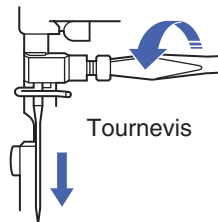
Remplacement de l'aiguille

- 1 Eteindre la machine. Relever l'aiguille sur la position de levage maximal à l'aide de la molette, et abaisser le pied-de-biche.
- 2 Desserrer la vis avec un tournevis et retirer l'aiguille.
- 3 Tenir l'aiguille avec la section plate sur la droite, et insérer l'aiguille à fond. Assurez-vous de fixer correctement l'aiguille au boîtier à aiguille en vissant à fond.

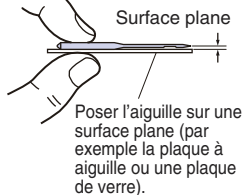
- * Si l'aiguille n'est pas insérée correctement ou si la vis est trop lâche, l'aiguille risque de se casser ou la machine risque de tomber en panne et l'enfileur ne fonctionnera pas.
- * Vérifier les aiguilles sur une surface plane pour s'assurer qu'elles ne sont pas tordues.

Remarque

- Utiliser des aiguilles HLX5; toutefois, on pourra également utiliser des aiguilles Schmetz 130/705H dans des circonstances normales d'utilisation.



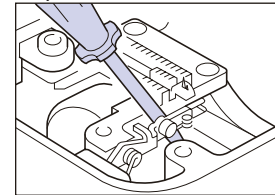
L'aiguille doit être parallèle par rapport à une surface plane.



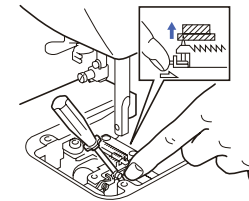
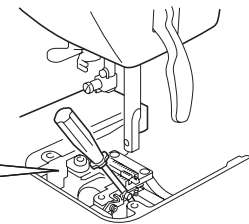
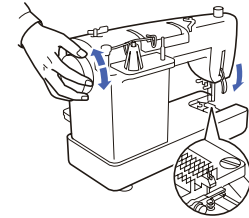
Poser l'aiguille sur une surface plane (par exemple la plaque à aiguille ou une plaque de verre).

Remplacement de l'ergot d'entraînement

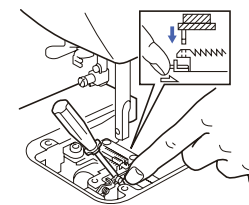
- 1 Régler la griffe d'entraînement sur la position « velours ». (Voir page 37.)
- 2 Retirer l'aiguille, le pied-de-biche et la plaque à aiguille.
- 3 Abaisser le pied-de-biche et tourner la molette jusqu'à ce que l'ergot d'entraînement soit à la position de levage maximale.
- 4 Insérer le petit tournevis (fourni) comme indiqué sur le schéma.



- 5 Tout en tenant le ressort du bout des doigts, abaisser le changeur d'ergot d'entraînement sur l'aiguille pour relever la tige.



- 6 Fixer un nouvel ergot d'entraînement au changeur d'ergot d'entraînement, abaisser et fixer tout en tenant le ressort du bout des doigts.
- 7 Retirer le tournevis.
- 8 Remonter la plaque à aiguille et le pied-de-biche.

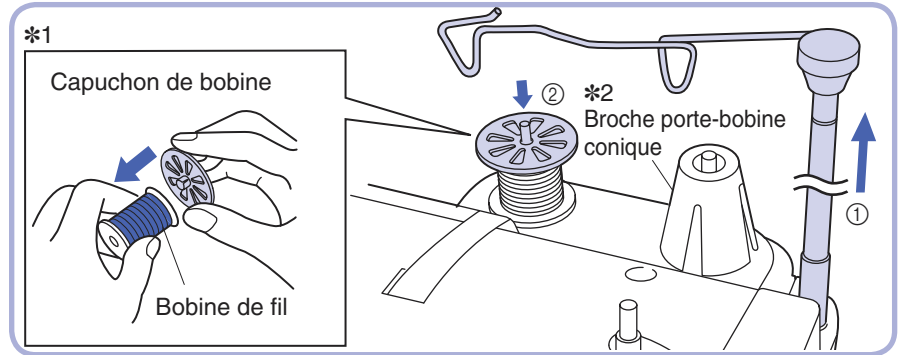
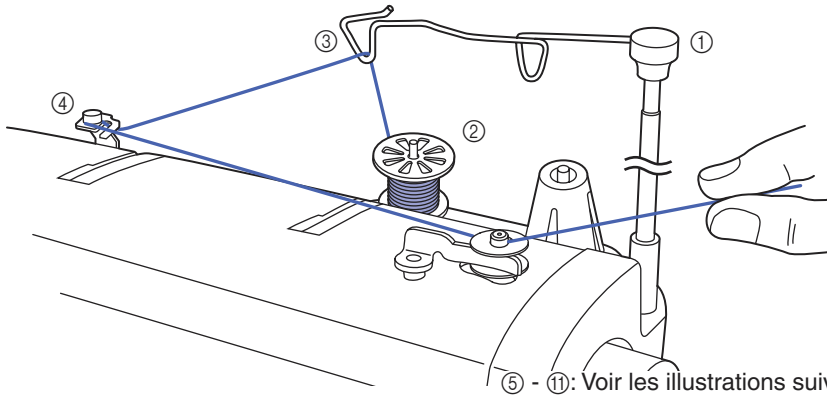


Enfilage (1)

Remplissage de la canette

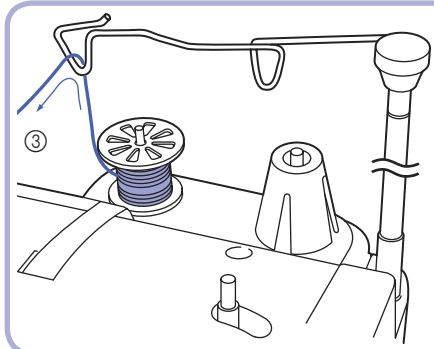
⚠ ATTENTION

Ne pas déplacer la butée de canette pendant que la machine fonctionne.

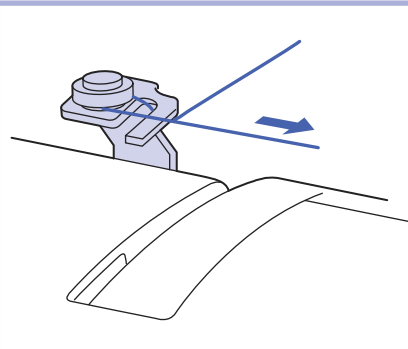


- ① Relever la barre de guidage du fil au maximum.
- ② Placer une bobine de fil sur le porte-bobine.

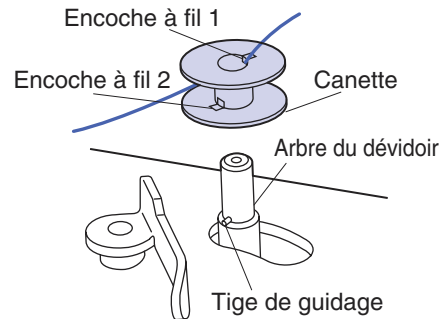
- *1 Avec un fil enroulé parallèlement, utiliser le capuchon de bobine.
- *2 Utiliser la broche porte-bobine conique pour stabiliser les bobines de fil en forme de cône.



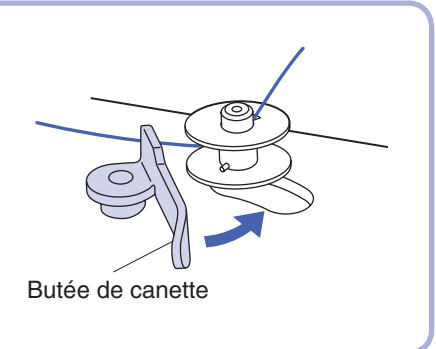
- ③ Passer le fil par l'orifice triangulaire.



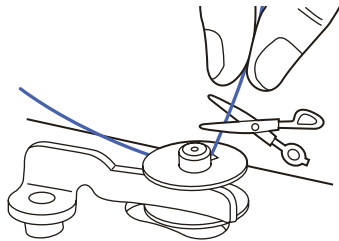
- ④ Passer le fil par le guide-fil de bobinage de la canette comme illustré sur le schéma.



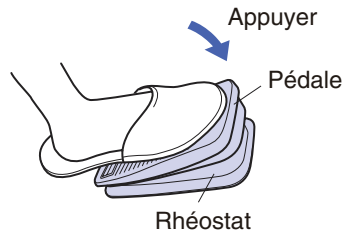
- ⑤ Faire passer le fil dans l'encoche supérieure 1, puis tourner la canette de façon à aligner l'encoche inférieure 2 de la canette sur la tige de guidage de l'arbre du dévidoir.



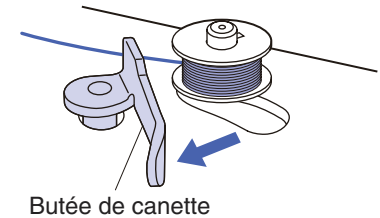
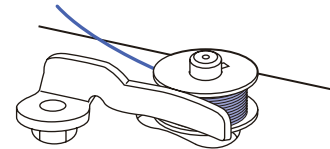
- ⑥ Pousser la butée de canette contre la canette vide. Si la butée de canette ne glisse pas facilement entre le côté supérieur et le côté inférieur de la canette, vérifier si la canette est installée correctement, avec la tige de guidage (⑤) insérée dans l'encoche inférieure.



* Placer l'extrémité du fil de façon qu'il ne ressorte pas de la canette.



* Si vous appuyez plus fort sur la pédale, la vitesse de bobinage augmente.

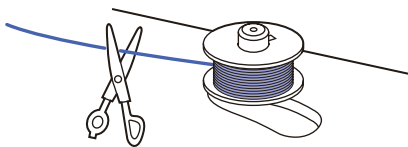


⑦ Tout en tenant l'extrémité du fil, appuyer sur la pédale pendant quelques secondes. Quand il s'est enroulé suffisamment de fil sur la canette pour que le fil reste en place, relâcher la pédale et couper l'excédent de fil.

⑧ Recommencez à bobiner la canette en appuyant sur la pédale.

⑨ Arrêter le bobinage lorsque la canette est pleine. Lâcher la pédale.

⑩ A la main, ramener la butée de canette à sa position d'origine.

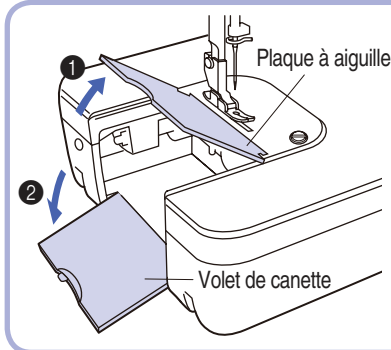


⑪ Couper le fil et enlever la canette.

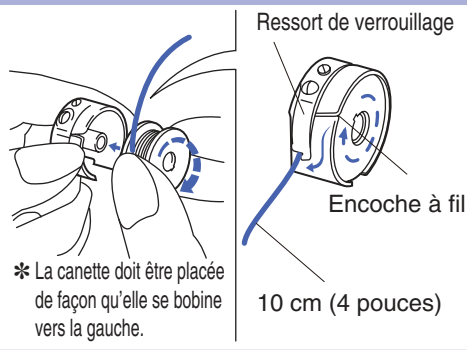
Installation de la canette

⚠ ATTENTION – Déplacement des pièces –

Pour éviter tout risque de blessure, toujours éteindre la machine avant toute intervention technique. Ouvrir les couvercles.



① Soulever la plaque à aiguille et ouvrir le volet de la canette.

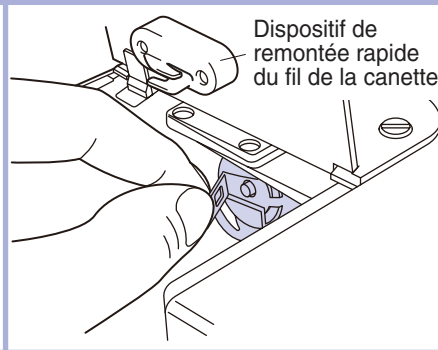


* La canette doit être placée de façon qu'elle se bobine vers la gauche.

② Placer la canette à l'intérieur du boîtier de la canette.

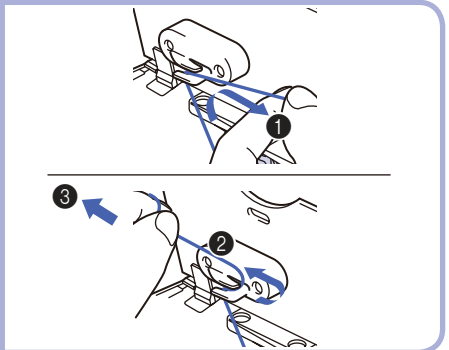
* Faire passer le fil dans l'encoche prévue et sous le ressort de verrouillage de manière à laisser sortir quelques cm de fil.

* Toujours utiliser le boîtier de canette livré avec la machine. Un deuxième boîtier peut également être commandé auprès de votre détaillant Baby Lock.



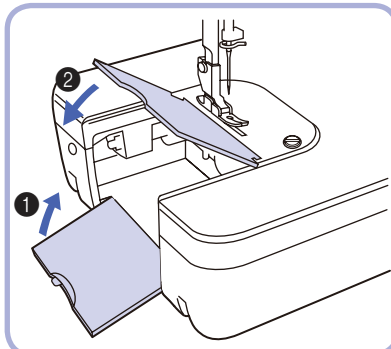
③ Tirer sur le levier de verrouillage du boîtier de la canette, enfoncer le boîtier de la canette dans la coursière de navette et relâcher le levier de verrouillage.

* Si le levier de verrouillage du boîtier de la canette n'est pas placé correctement sur le crochet, il risque d'être éjecté pendant la couture et de provoquer des ruptures du fil inférieur. Tourner la molette d'un tour complet vers soi pour s'assurer que le boîtier de la canette est bien en place.



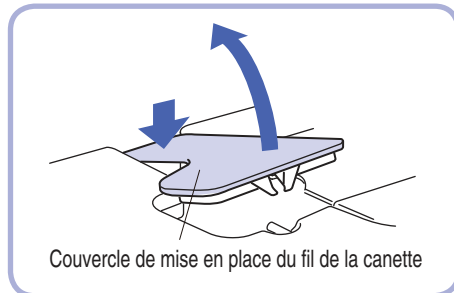
④ Passer le fil dans le dispositif de remontée rapide du fil de la canette dans l'ordre numéroté ① ②, tirer dans le sens de la flèche ③ puis couper le fil.

★ Dispositif de remontée rapide du fil de la canette
Ce dispositif coupe le fil de la canette à une longueur appropriée après le remplacement de la canette et le garde à cette longueur. Il est alors inutile de tirer manuellement le fil de la canette par l'orifice de la plaque à aiguille. Fermer simplement le boîtier de la canette et poursuivre le processus de mise en place du fil supérieur.



⑤ Abaisser la plaque coulissante et refermer le volet de la canette en suivant l'ordre ① ② ci-dessus.

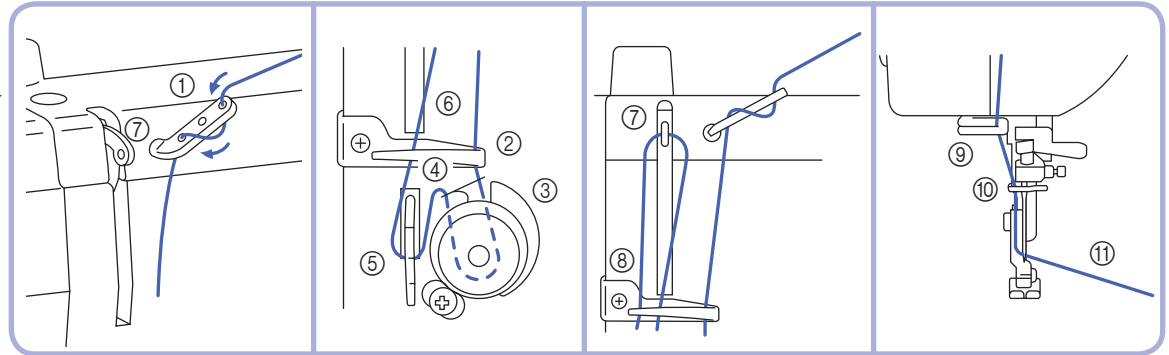
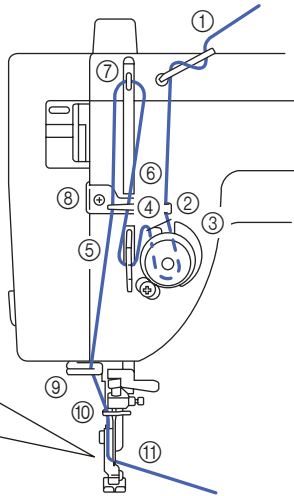
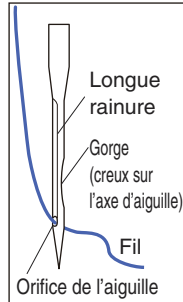
● Lorsque la table de rallonge pour tissu est en place



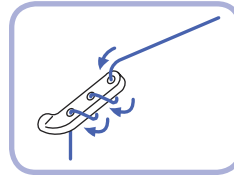
Ouvrir au préalable le couvercle de mise en place du fil de la canette, puis mettre le fil de la canette en place en respectant les instructions indiquées ci-dessus. (Il est possible de mettre le fil de la canette en place sans retirer la table de rallonge pour tissu.)

Enfilage (2)

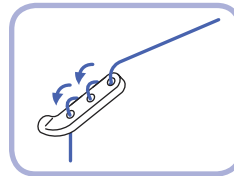
Mise en place du fil supérieur



- Vérifier que le levier de relevage du fil se trouve sur la position de levage maximale et que le pied-de-biche est relevé (7).
- * Lorsqu'on utilise du polyester ou du fil qui se torsade ou se casse, faire passer le fil dans les trois orifices du guide-fils.

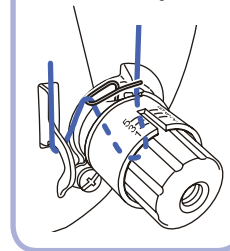


- * Si le fil s'emmêle ou se casse toujours, faire passer le fil dans les orifices à l'envers, comme indiqué sur le schéma.



- * Il se peut que la tension des fils ne soit pas réglée de manière appropriée à moins que le fil passe correctement par le ressort de relevage.

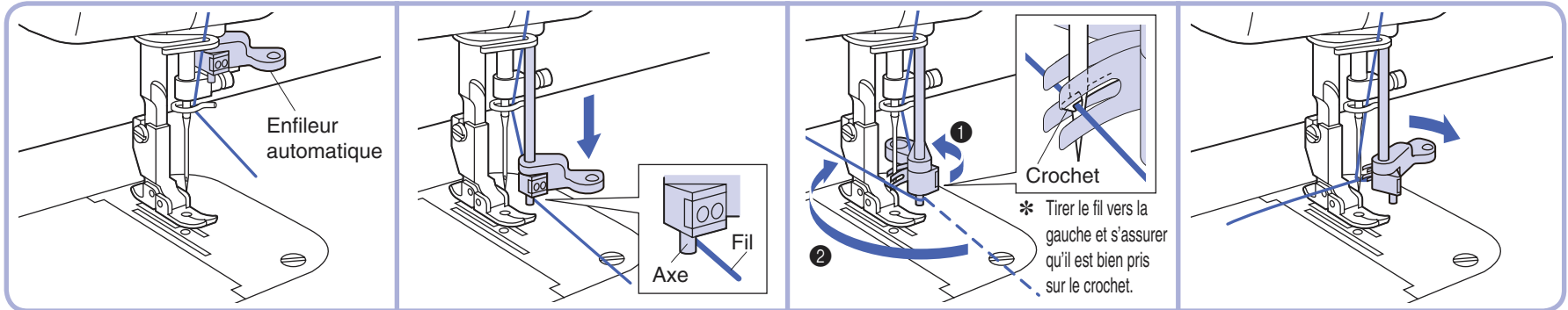
Ressort de relevage du fil



⚠ ATTENTION

Mettez la machine hors tension avant d'utiliser l'enfileur automatique. Sinon, vous risquez de vous blesser si vous appuyez par inadvertance sur la pédale.

Utilisation de l'enfileur automatique

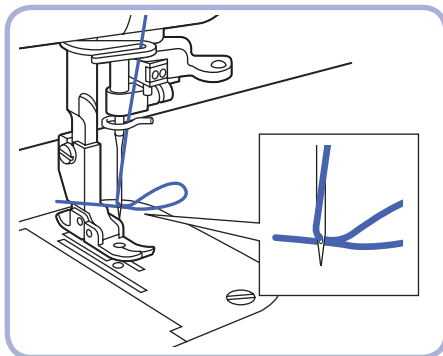


- ① Tourner la molette vers soi jusqu'à ce que l'aiguille soit complètement relevée, puis abaisser le pied-de-biche.
- ② Prendre le fil dans la main gauche et le tirer doucement vers l'avant.

- ③ Abaisser l'enfileur automatique.
 - * Tirer le fil sur la droite de l'axe.
 - * Ne pas abaisser de force l'enfileur plus bas que le chas de l'aiguille qui est sur la position de levage maximum.

- ④ Tourner le levier de l'enfileur à fond dans le sens ① et, lorsque le crochet passe par l'orifice de l'aiguille, tirer le fil dans le sens ② pour l'attraper sur le crochet.
 - * Tirer le fil vers la gauche et s'assurer qu'il est bien pris sur le crochet.

- ⑤ Tenir doucement le fil et replacer le levier de l'enfileur vers la droite. Pendant cette opération, le crochet qui a attrapé le fil se déplace également et tire une boucle de fil par le chas de l'aiguille.

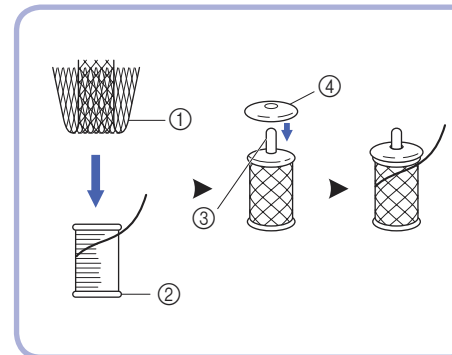


- ⑥ Avant de coudre, tirer la boucle de fil vers la droite et diriger la queue du fil vers l'arrière de la machine tout en suivant l'ouverture du pied-de-biche.

Aiguille (HLX5)	Fil
#9	#20 #30 #50 #60
#11	#20 #30
#14	#20 #30
#16	#20

- Certaines combinaisons de fil et d'aiguille ne permettent pas d'utiliser l'enfileur automatique, comme indiqué dans le tableau ci-dessus. Un fil de nylon transparent pourra être utilisé indépendamment des indications du tableau, à condition d'utiliser une aiguille #14 ou #16.

Utilisation du filet de la bobine



Lorsque vous utilisez des fils en nylon transparent, métalliques ou autres fils épais, placez le filet de la bobine inclus sur la bobine avant de coudre.

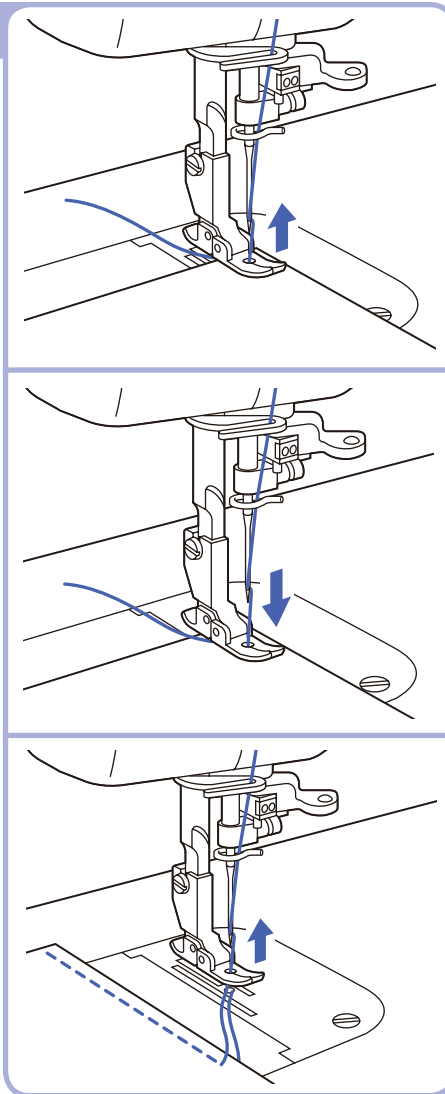
Si le filet de la bobine est trop long, pliez-le une fois pour qu'il soit de la même taille que la bobine avant de le placer sur la bobine.

- ① Filet de la bobine
- ② Bobine de fil
- ③ Porte-bobine
- ④ Couvercle de bobine

Points d'essai et tableau d'aiguilles

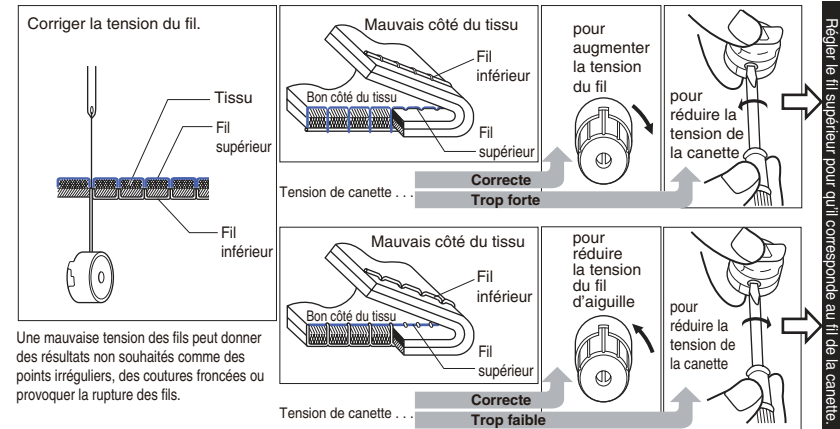
Points d'essai

- ① Régler le sélecteur de longueur de point sur la longueur de point voulue.
 - ② Veiller à tirer environ 15 cm (6 pouces) de fil supérieur sous le pied-de-biche et vers l'arrière de la machine. L'aiguille étant en position relevée, mettre un morceau de tissu sous le pied-de-biche pour faire un essai.
 - ③ Abaisser le pied-de-biche.
 - ④ Tourner la molette vers soi pour abaisser l'aiguille et la piquer dans le tissu puis appuyer doucement sur la pédale pour commencer à coudre.
 - ⑤ Tourner la molette vers soi pour relever complètement l'aiguille et le levier d'enfilage.
 - ⑥ Relever le pied-de-biche, enlever le tissu et couper le fil manuellement à l'aide du coupe-fil à gauche de la tête de la machine ou à l'aide d'une paire de ciseaux.
- * Si on utilise les ciseaux :
- ⑤ Appuyer sur le bouton du coupe-fil pendant que le levier du pied-de-biche est abaissé.
 - ⑥ Relever le pied-de-biche et enlever le tissu.



Tension des fils

- * Le fil de canette doit être alimenté régulièrement. Régler le fil de canette en fonction de la tension du fil supérieur. (Si le fil de canette est trop serré, le tissu risque de se plisser.)



Une mauvaise tension des fils peut donner des résultats non souhaités comme des points irréguliers, des coutures froncées ou provoquer la rupture des fils.

● Sélectionner l'aiguille qui convient pour le tissu et le fil

- * Le tableau ci-dessous concerne différentes combinaisons de tissus, de fils et d'aiguilles.

	Combinaisons tissu-fil-aiguille			HLX5	Schmetz 130/705H
	Tissu	Fil	Aiguille (HLX5)		
Tissu spécial	Velours	Soie, polyester #30 – #50	#11 – #14	#9	#65
	Quilting (Courtpointe)	Polyester #20 – #50	#11 – #16	#11	#75
	Daim synthétique	Polyester #20 – #50		#14	#90
	Jersey	Polyester #20 – #50		#16	#100
	Revêtement	Polyester #50	#11 – #14	#18	#110
Tissu léger	Batiste	Coton #80	#9		
	Tricot	Polyester #60			
	Soie Georgette	Soie #50			
	Laine Georgette	Soie, polyester #50	#11		
Tissu moyen	Vichy	Coton #60 – #80	#11 – #14		
	Tricot léger, jersey	Polyester #60	#11		
	Gabardine, flanelle	Soie #50			
Tissu lourd	Jeans	Coton #20 – #50	#14 – #18		
	Jersey	Polyester #20 – #50	#11 – #16		
	Tweed	Soie #20 – #50			

* Il est recommandé d'utiliser des aiguilles HLX; toutefois, on pourra également utiliser des aiguilles Schmetz 130/705H dans des conditions normales d'utilisation.

* Régler le sélecteur de pression et le bouton des griffes d'entraînement en fonction du tableau repris sur la machine à coudre.

* Avec des tissus comme du jersey ou des tricotés, utiliser une aiguille à bille ou toute autre aiguille spécialement conçue pour les tricotés.

* Pour obtenir les meilleurs résultats avec des fils métalliques, utiliser un fil de bonne qualité, régler la tension supérieure sur 2, et utiliser une aiguille métallique.

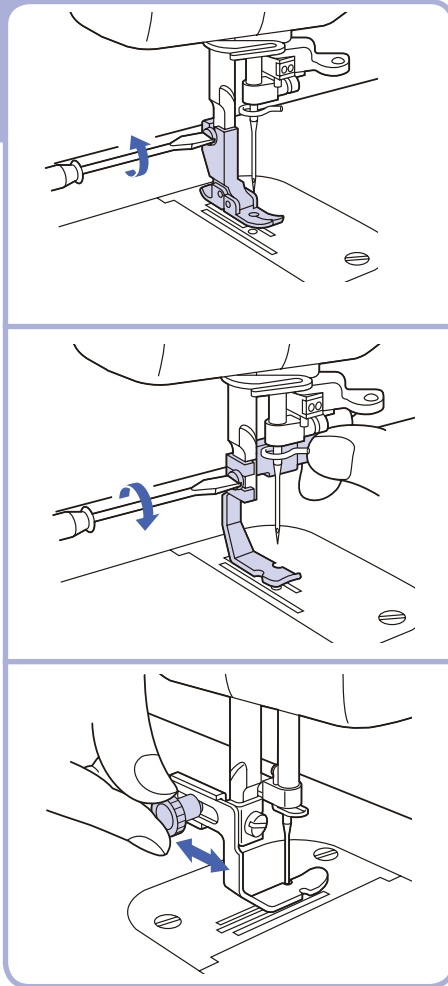
Changement du pied-de-biche

⚠ ATTENTION

Bien éteindre la machine avant de changer le pied-de-biche.

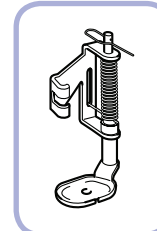
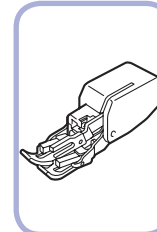
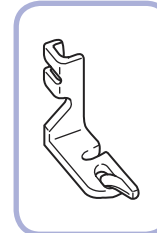
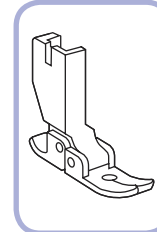
Changement du pied-de-biche (Pied pour fermeture à glissière)

- 1 Relever le pied-de-biche et relever l'aiguille à la position maximale.
 - 2 Desserrer la vis à l'aide d'un tournevis et la retirer.
 - 3 Fixer le pied pour fermeture à glissière et resserrer la vis.
- * Procéder de la même façon pour fixer l'autre pied fourni avec votre machine.
 - * Pour le sens de fixation du pied à double entraînement, voir page 50.
 - * Utiliser le bouton de position au dos du pied pour fermeture à glissière pour régler la position du pied par rapport à l'aiguille.
 - * Seul le pied pour fermeture à glissière possède un bouton de position. On peut commencer à coudre avec tous les autres pieds-de-biche dès que le pied est fixé.



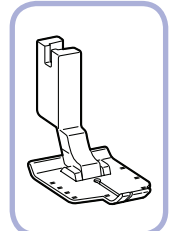
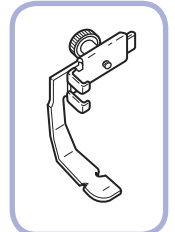
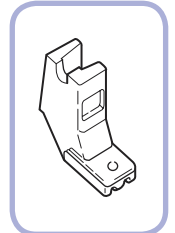
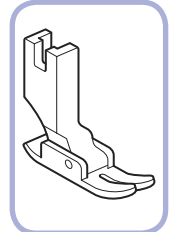
Les différents pieds-de-biche

- **Pied à réaction souple**
Pour obtenir des points parfaits sur des tissus difficiles comme le velours, le cuir et le daim.
- **Pied pour ourlet rouleauté**
S'utilise sur les bords du tissu, comme sur les ourlets de chemises de soirée, pour plier le bord en trois pendant la couture.
- **Pied à double entraînement**
Entraîne le tissu fin ou épais pour éviter le fronçage. Très utile pour le quilting (courtepointe).
- **Pied pour quilting (courtepointe) à mouvement libre**
Pour raccommoder, réaliser des quiltings (courtepointes) ou des broderies en mouvement libre.



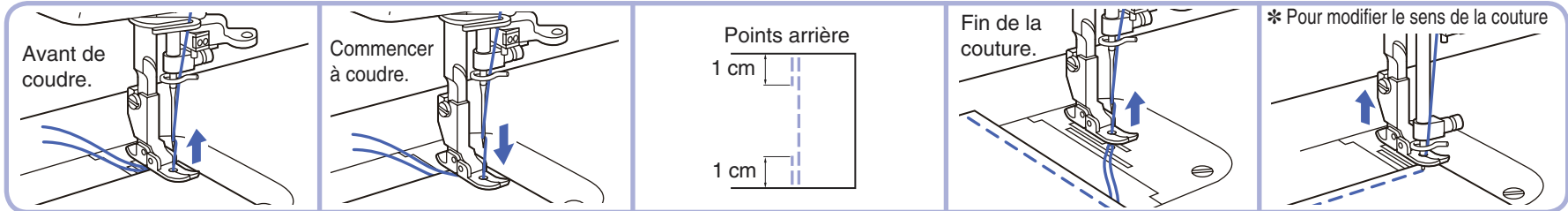
* Utilisez uniquement les pieds fournis avec votre machine. Chaque pied a été spécialement conçu pour cette machine et possède au dos l'espace nécessaire pour la tige. L'utilisation d'autres pieds-de-biche risque d'endommager ou de casser le mécanisme d'entraînement par ergot.

- **Pied à usage général**
Ce pied convient pour la plupart des travaux de couture. (Sert également pour les tissus lourds et les coutures.)
* Lors de la couture d'ourlets épais, guider légèrement le tissu en plaçant la main à l'envers de la couture.
* Peut également être utilisé avec un entraînement par ergot.
- **Pied pour fermeture à glissière invisible**
Permet de fixer des fermetures à glissière dissimulées.
- **Pied pour fermeture à glissière**
Permet de fixer des fermetures à glissière autres que les fermetures dissimulées. Vous pouvez également utiliser le pied-de-biche pour maintenir le passepoil en place lors de la couture. Utilisez le côté du pied le plus proche de l'aiguille pour s'appuyer contre le bord du passepoil lors de la couture.
- **Pied 1/4"**
Pour la couture de quilting (courtepointe) et de patchwork avec un déplacement de 1/4 pouce et 1/8 pouce.



Couture de base (1)

Couture de base



① Relever le pied-de-biche, sortir environ 15 cm (6 pouces) de fil supérieur et de fil de canette et les faire passer en dessous et derrière le pied-de-biche, puis placer le tissu sous le pied-de-biche.

② Abaisser le levier pour abaisser le pied-de-biche.
③ Tourner la molette vers soi pour abaisser l'aiguille et la piquer dans le tissu puis appuyer légèrement sur la pédale pour commencer à coudre.

* Au début et à la fin d'une couture, appuyer sur le levier de point arrière et coudre en marche arrière sur environ 1 cm (3/8 pouce).

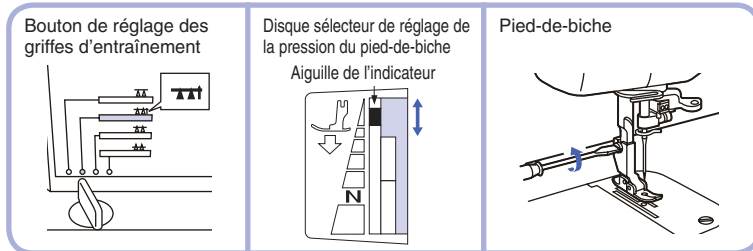
④ Relever l'aiguille au maximum.
⑤ Relever le pied-de-biche, retirer le tissu et couper le fil.
* Si on utilise le coupe-fil :
④ Appuyer sur le bouton du coupe-fil (le fil supérieur et le fil de canette se coupent automatiquement et l'aiguille s'arrête en position relevée).
⑤ Relever le pied-de-biche et retirer le tissu.

① S'assurer que l'aiguille a complètement traversé le tissu.
② Relever le pied-de-biche et tourner le tissu en utilisant l'aiguille comme axe.
③ Abaisser le pied-de-biche et continuer à coudre.

Entraînement par ergot (pour les tissus difficiles à manipuler)

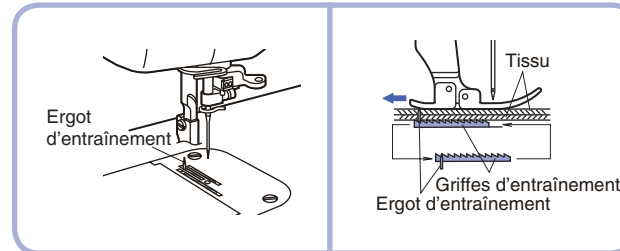
Il est possible de parfaitement raccorder des tissus comme le velours, le tissu pour quilting (courtepointe), le daim synthétique, les jerseys, etc. en activant le mécanisme d'entraînement par ergot.

● Configuration de la machine pour l'entraînement par ergot



① Mettre le bouton de réglage d'entraînement sur la position d'entraînement par ergot.
② Régler le sélecteur de pression jusqu'à ce que l'indicateur d'aiguille se trouve sur la position correcte dans la zone codée de correspondance des couleurs.
③ Fixer le pied-de-biche à réaction souple pour obtenir des points de couture parfaits sur des tissus comme le velours, le cuir et le daim.

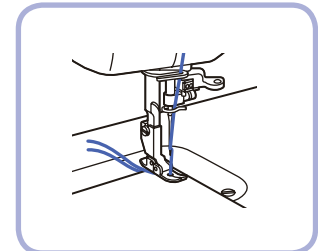
● Mécanisme d'entraînement par ergot



L'ergot d'entraînement remonte de façon à traverser toutes les épaisseurs de tissu et il se déplace sous l'effet du mouvement des griffes d'entraînement de manière à entraîner le tissu de façon uniforme.

* Pour des raisons de sécurité, l'ergot d'entraînement s'abaisse automatiquement quand on relève le pied-de-biche.

● Commencer à coudre



Tirer délicatement sur le fil jusqu'à ce que l'ergot d'entraînement attrape le tissu, et coudre.

ATTENTION

Lorsque le levier du pied-de-biche est abaissé, l'ergot d'entraînement est positionné en haut sur les griffes d'entraînement. Éloignez vos mains de l'ergot d'entraînement.

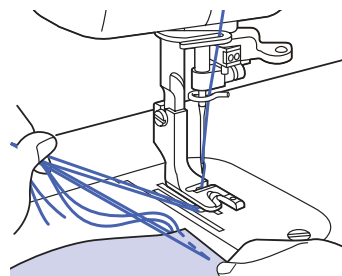
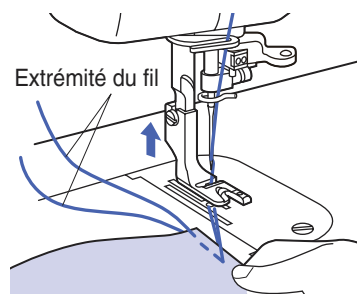
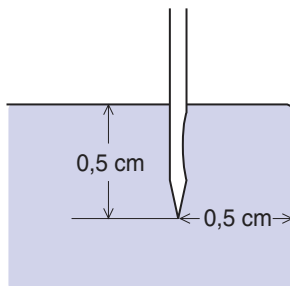
Couture de base (2)

⚠ ATTENTION

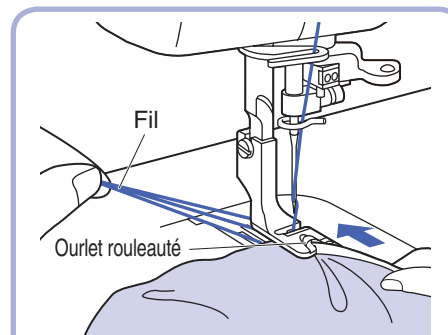
Bien éteindre la machine avant de changer le pied-de-biche.

Pied pour ourlet rouleauté

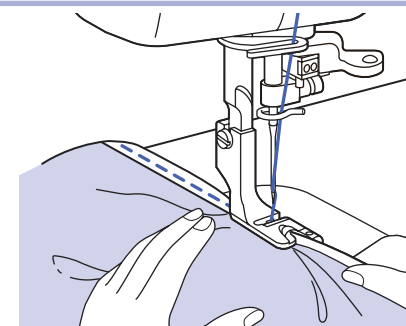
- ① Fixer le pied pour ourlet rouleauté.
 - * Pour le changement des pieds-de-biche, voir page 45.
- ② Placez le tissu (l'envers vers le haut) sous le pied-de-biche. Insérer l'aiguille à environ 0,5 cm (3/16 pouce) du bord du tissu et coudre 2 points.
- ③ Tourner la molette vers soi pour relever l'aiguille, relever le pied-de-biche puis tirer le tissu vers l'avant.
 - * Veillez à ne pas désefiler le tissu lorsque vous le tirez vers l'avant.
- ④ Tenir les 4 fils de la main gauche.



- ⑤ De la main droite, placer le bord de l'ourlet roulotté sous le pied-de-biche, au point où les fils ressortent. Puis insérer le bord de façon qu'il se trouve juste sous l'aiguille. Abaisser le pied-de-biche.



- ⑥ Tirer délicatement sur les fils de la main gauche pendant que l'on coud les 3 ou 4 premiers points de façon qu'ils restent en place.
- ⑦ Replier l'ourlet sur environ 0,5 cm (3/16 pouce) et continuer à faire avancer l'ourlet replié sous le pied tout en cousant vers le guide recourbé du pied.



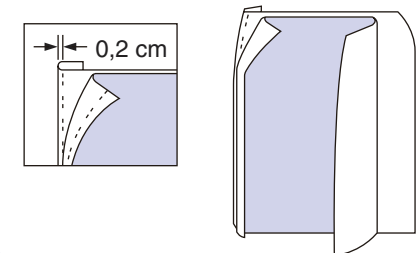
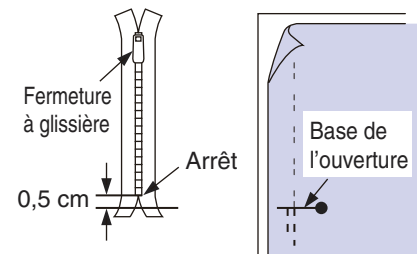
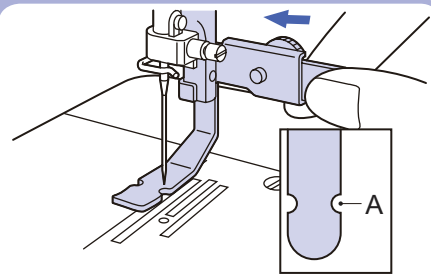
Couture de base (3)

⚠ ATTENTION

- Bien éteindre la machine avant de changer le pied-de-biche.
- Pour coudre une fermeture à glissière sur un tissu extensible, utiliser la méthode d'entraînement par ergots, et régler la pression du pied en conséquence.
- Le pied pour fermeture à glissière peut également servir de guide lors de la fixation de rouleaux au tissu.

Pied pour fermeture à glissière

- ① Fixer le pied pour fermeture à glissière.
- * Voir « Changement du pied-de-biche (Pied pour fermetures à glissière) » à la page 45.
- ② Tourner la molette vers soi pour abaisser l'aiguille et régler la position du pied par rapport à l'aiguille; utiliser la vis de réglage pour faire glisser le pied de la gauche vers la droite.
- ③ Placer la fermeture à glissière à l'endroit du tissu où elle doit être cousue, et marquer la base de l'ouverture sur le tissu. Elle devra se trouver à environ 0,5 cm (3/16 pouce) en dessous de l'arrêt de la fermeture à glissière. Coudre à partir du dessous de la base de l'ouverture.
- ④ Diviser la marge de la couture. Plier la marge de la couture avec la partie superposée de la fermeture à glissière au-dessous, à 0,2 cm (1/16 pouce) de l'extérieur du trait.



- ⑤ Faufiler la fermeture à glissière pour la fixer puis coudre le long du trait.

⚠ ATTENTION

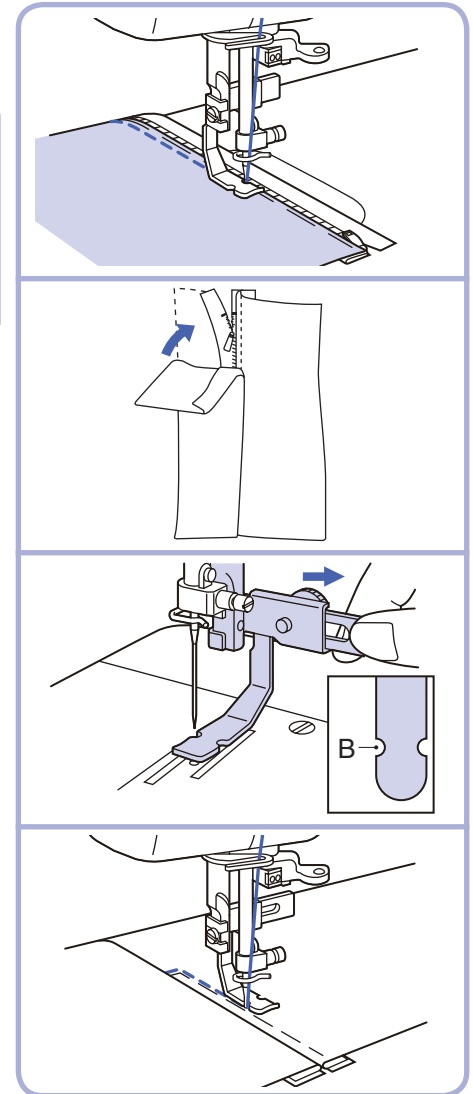
Veiller à ce que l'aiguille ne heurte pas la section métallique de la fermeture à glissière pendant la couture. L'aiguille pourrait se casser et provoquer des blessures.

- ⑥ Aligner l'ourlet replié à l'envers sur les points.

- ⑦ Changer la position du pied pour fermeture à glissière.
- ⑧ Tourner la molette pour abaisser l'aiguille et mettre le pied-de-biche en place.

- ⑨ Tourner l'endroit du tissu vers le haut, faufiler la fermeture à glissière sur le tissu puis coudre le bord du faufilage.

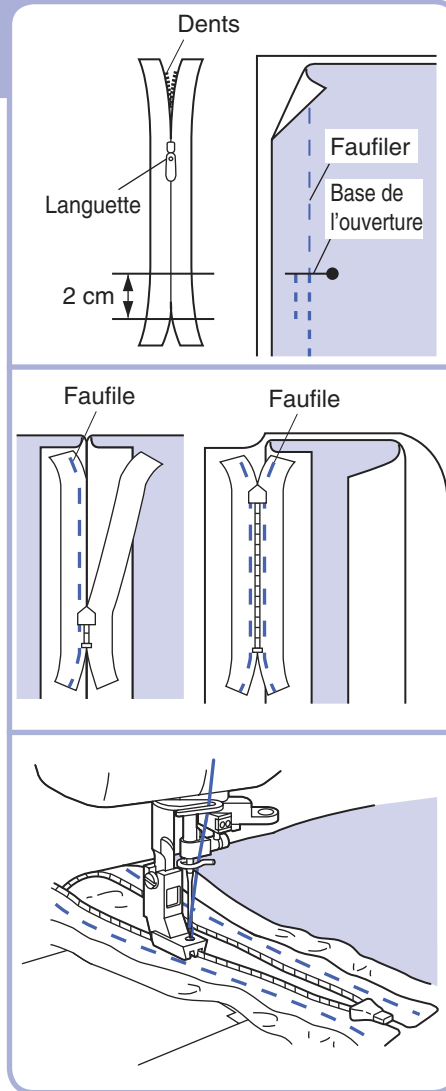
- * Renforcer la base de l'ouverture en la cousant deux fois.
- * Si la languette de la fermeture à glissière gêne la couture, enfoncer l'aiguille au maximum dans le tissu, relever le pied et déplacer la fermeture à glissière.



Pied pour fermeture à glissière invisible

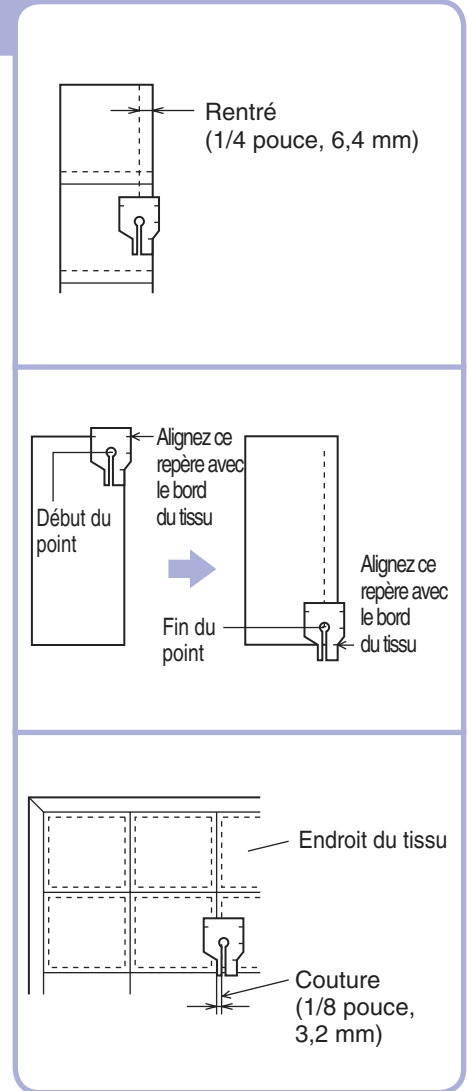
- ① Fixer le pied pour fermeture à glissière invisible.
- ② Disposer la fermeture à glissière sur le tissu. Marquer la base de l'ouverture à environ 2 cm (3/4 pouce) au-dessus de l'extrémité de la fermeture à glissière.
- ③ Faufile l'emplacement de la fermeture à glissière.
- ④ Séparer l'espace de la couture.
- ⑤ Lorsque la fermeture à glissière est en place, faufile uniquement la marge de la couture d'un côté de la fermeture à glissière.
- ⑥ Remonter la fermeture à glissière pour la fermer et faufile l'autre côté.
- ⑦ Retirer le faufile à l'emplacement de la fermeture à glissière.
- ⑧ Placer les dents de la fermeture à glissière dans la rainure du pied-de-biche, les guider pour éviter qu'elles ne sortent de la rainure, puis coudre jusqu'à la base de l'ouverture.

* Si l'on effectue la couture avec les dents de la fermeture sur la droite, le côté gauche du pied devra être aligné sur les dents gauches de la fermeture à glissière.



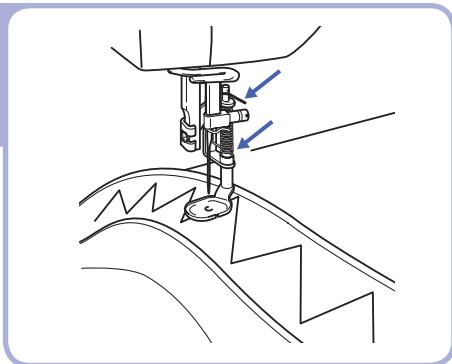
Pied 1/4"

- Réglages de la machine à coudre :
Longueur de point = 2 - 2,5 mm
- Vous pouvez piquer un rentré constant (1/4 pouce, 6,4 mm) quand vous cousez ensemble une ouate.
- Utiliser les repères de guidage pour commencer, terminer ou pivoter de 6,4 mm (1/4 pouce) du bord du tissu.
- Vous pouvez effectuer une deuxième couture droite à 3,2 mm (1/8 pouce) de la couture.



Pied pour quilting (courtepointe) à mouvement libre

Réduire la pression du pied-de-biche et tourner le sélecteur sur la machine en abaissant la griffe d'entraînement pour le quilting (courtepointe) en mouvement libre.



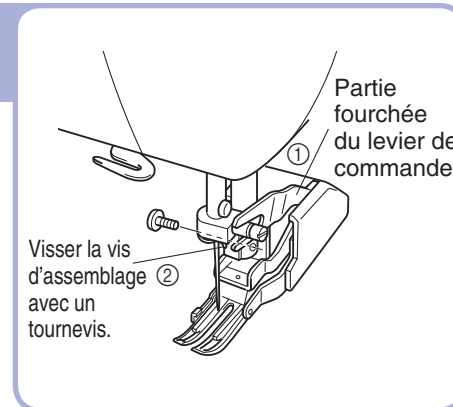
Remarque

- Si l'on utilise fréquemment le pied, bien appliquer une petite quantité d'huile environ une fois par mois à l'endroit indiqué par la flèche. (Si l'on a mis trop d'huile, essuyer l'excédent avec un chiffon.)
- Pour obtenir les meilleurs résultats avec des fils métalliques ou monofilament pour une quilting (courtepointe) à dessin libre, utiliser un fil de bonne qualité, régler la tension supérieure sur 1-2, et utiliser une aiguille métallique.

Pied à double entraînement

Remarque

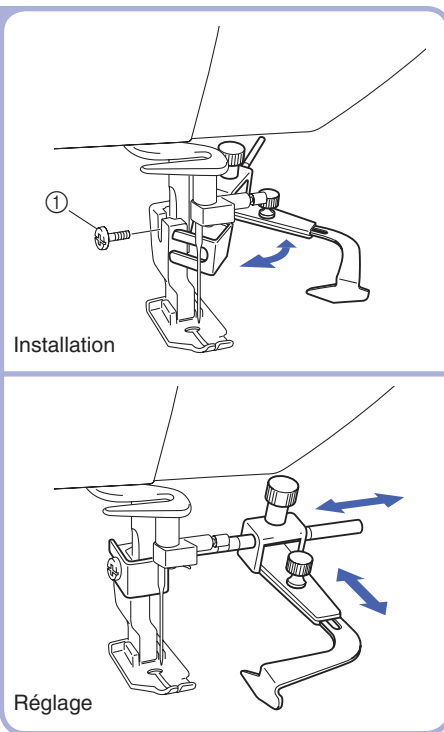
- Ne pas appuyer à fond sur la pédale.
Essayer de conserver une vitesse de couture lente (500 t/mn ou moins).
- Le tissu risque de ne pas être entraîné correctement si la vitesse de couture est trop élevée.
- Les griffes d'entraînement qui font avancer le tissu risquent de ne pas avancer si la pression du pied sur le tissu est trop forte. Utiliser le sélecteur de pression du pied-de-biche pour obtenir les résultats souhaités.
- Il n'est pas recommandé ni nécessaire d'utiliser le mode d'entraînement par ergots avec le pied à double entraînement.



- ① Lorsque le levier de commande est relevé à la verticale, insérer sa partie fourchée dans la vis située à droite de la barre à aiguille, comme illustré, puis insérer la vis d'assemblage.
- ② Serrer la vis avec un tournevis sinon elle pourrait se desserrer en raison des vibrations du pied et du levier de commande.

Guide de couture

- ① Serrer la vis avec un tournevis sinon elle pourrait se desserrer en raison des vibrations.



Tourner les vis de réglage comme suggéré par les flèches du schéma pour régler la position du pied du guide de couture.

Entretien de la machine à coudre

Nettoyage de la machine

ATTENTION

Bien éteindre la machine avant de procéder au nettoyage de la machine à coudre.

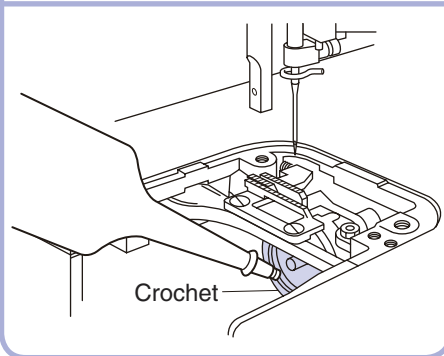
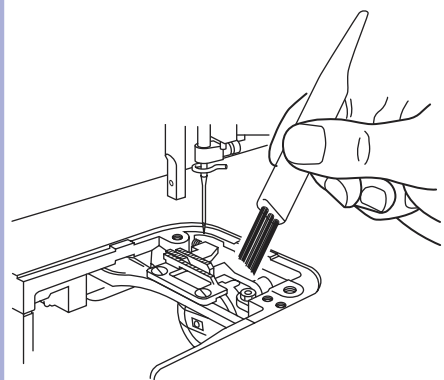
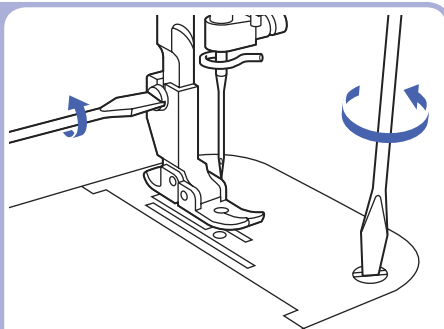
- ① Eteindre la machine.
- ② Retirer le pied-de-biche.
- ③ Retirer la plaque à aiguille.
- ④ Enlever la poussière et les restes de fil.

* Il est possible d'enlever les restes de fil par le volet de la canette.

- ⑤ Lorsque la section sous la plaque à aiguille est nettoyée, lubrifier le crochet du boîtier de la canette avec de l'huile de machine à coudre.

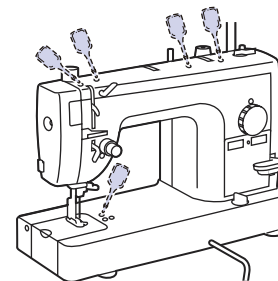
* Utiliser un chiffon pour essuyer l'excédent d'huile sur la machine.
* Utiliser exclusivement une huile de machine à coudre de qualité supérieure.

- ⑥ Remettre la plaque à aiguille et le pied-de-biche en place.



Points de graissage

- Lors d'un usage journalier de la machine, appliquer quelques gouttes d'huile* à chaque emplacement indiqué, deux fois par mois.
- * Utiliser un chiffon pour essuyer toute l'huile renversée sur la machine aux alentours des points de graissage.
- * Utiliser exclusivement une huile de machine à coudre de qualité supérieure.

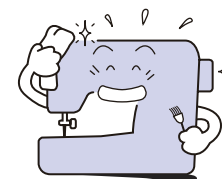


■ Maintenir la machine à coudre constamment propre

Enlever la saleté légère et la poussière avec un chiffon doux et sec. Si la machine est très sale, l'essuyer avec un chiffon trempé dans de l'eau tiède, ou de l'eau tiède contenant un détergent neutre. Puis, enlever tout reste de détergent et essuyer toute l'eau avec un chiffon sec.

■ Précautions

Eloigner la machine à coudre des sources de chaleur telles que fer à repasser et appareil de chauffage. Ne pas utiliser de produits chimiques tels que benzène ou diluant pour nettoyer la machine. Quand on ne se sert pas de la machine, la ranger à l'abri des rayons du soleil.



Élément	Spécification	
Vitesse de couture (maximum)	1500 points par minute	
Longueur de points (pas)	0 – 7 mm	
Course de l'aiguille	34,1 mm	
Course du levier de relevage du fil	64,7 mm	
Hauteur du pied-de-biche	Lavage du pied-de-biche	Un 6 mm
		Deux 9 mm
	Levier au genou	Plus de 10 mm

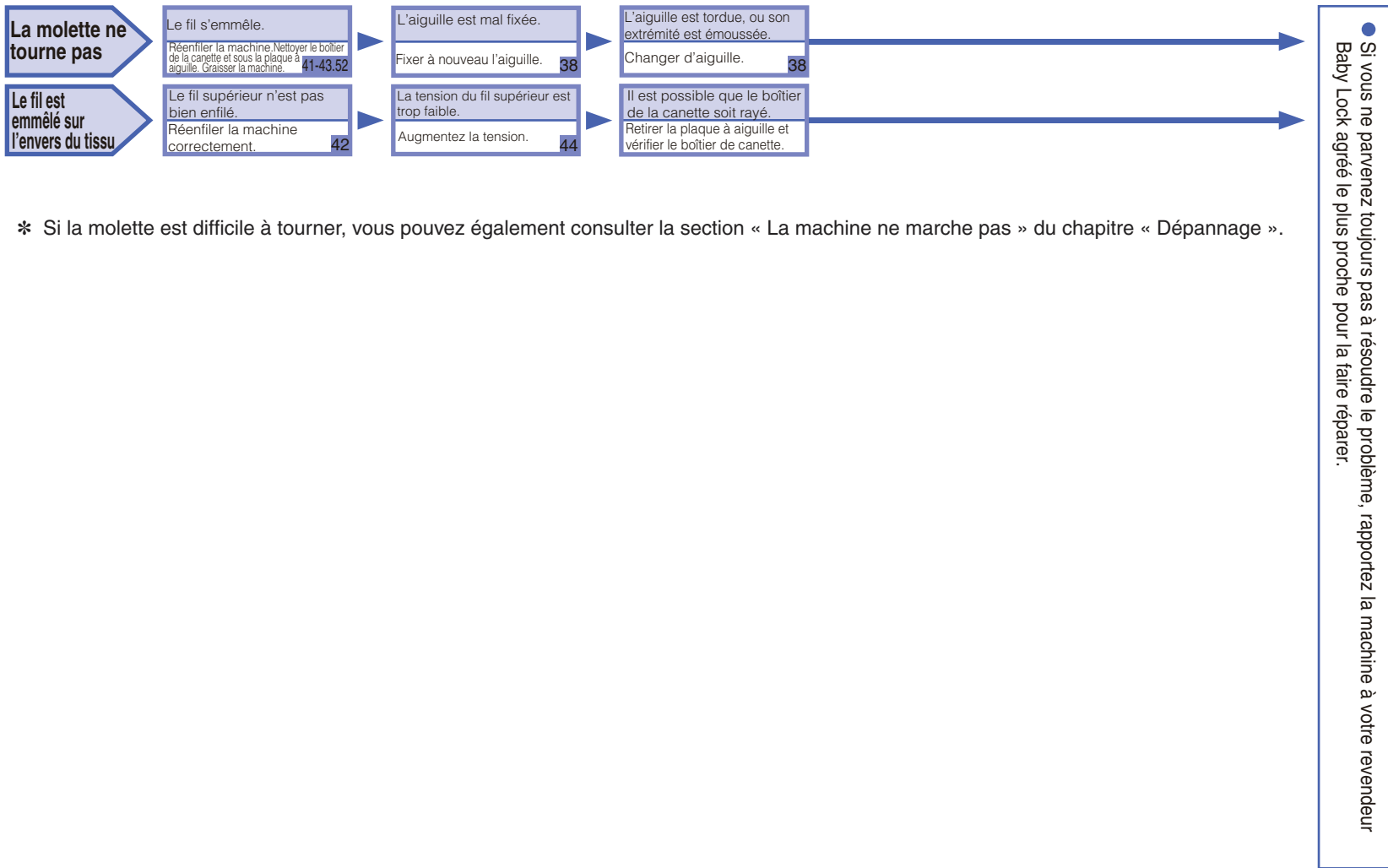
Élément	Spécification
Hauteur des griffes d'entraînement	0,7 mm, 1,1 mm
Hauteur d'aiguille inférieure	3 mm – 3,5 mm
Aiguilles qu'il est possible d'utiliser	HLX5#9 – #18 SCHMETZ 130/705H #65 – #110
Dimensions du lit	439 mm x 178 mm (17 1/4 pouces x 7 pouces)
Poids total	11 kg (24 1/4 lb)
Lampe de couture	Voyant lumineux (DÉL)
Surface de couture	595 mm x 285 mm (23 3/8 pouces x 11 1/4 pouces)

Dépannage

* Avant de faire réparer la machine à coudre, vérifiez le tableau suivant. Vous pouvez résoudre vous-même la plupart des problèmes.



● Si vous ne parvenez toujours pas à résoudre le problème, rappez la machine à votre revendeur Baby Lock agréé le plus proche pour la faire réparer.



* Si la molette est difficile à tourner, vous pouvez également consulter la section « La machine ne marche pas » du chapitre « Dépannage ».

English
French

884-T78

Printed in Taiwan



XH3170-001