

Wedge™ 72" Solid Surface Basin



Patented D841785

Model Shown: 9162-WD04 (2-Station) Basin
72" Wide Solid Surface Wedge Basin

- WALL MOUNTED 72" LENGTH SOLID SURFACE BASIN
- CAN BE USED WITH DYSON AIRBLADE WASH+DRY FAUCETS

- ADA COMPLIANT
(WHEN PROPERLY INSTALLED) 

- CSA COMPLIANT
(CANADIAN STANDARDS ASSOCIATION)

- MATERIAL OF CONSTRUCTION IS FLAME SPREAD AND SMOKE DEVELOPED RATED "CLASS A" PER THE FOLLOWING STANDARDS:

ASTM E84-10
UL723
ANSI/NFPA No. 255
UBC No. 8-1

- MATERIAL ALSO COMPLIES WITH CANADIAN REQUIREMENTS CAN/ULC-S102 FOR FLAME SPREAD AND SMOKE DEVELOPED.

- MATERIAL OF CONSTRUCTIONS PHYSICAL PROPERTIES IN COMPLIANCE WITH:

CSA B45.5/IAPMO Z124
ANSI/ICPA SS-1

- CORTERRA® SOLID SURFACE POLYMER FIXTURE COMPLIES WITH IAPMO IGC 156, CSA B45 SERIES, ASME A112.18.1/CSA B125.1V



Member of
U.S. Green
Building
Council



Recyclable
Product



APPROVAL FOR MANUFACTURE

COMPANY: _____

PROJECT NAME: _____

SIGNEE'S NAME PRINTED CLEARLY: _____

DATE: _____

AUTHORIZED SIGNATURE: _____

DESCRIPTION	MODEL/OPTION #
A ORIENTATION - Required Selection	INIT. _____
 <input checked="" type="checkbox"/> Wall Mounted Basin (Standard Mounting)	9162
B BASIN COLOR SELECTION - Required Selection	INIT. _____
Corterra® Solid Surface Color Color: _____ (Refer to https://www.neo-metro.com/luxury-solid-surface for available colors)	
C FAUCET AND CONFIGURATION - Required Selection	INIT. _____
<input type="checkbox"/> No Faucet Hole For wall mounted faucet	- H0
<input type="checkbox"/> Single Hole ø1-3/8" Centered Hole	- H1
<input type="checkbox"/> 8" Centerset ø1-3/8" Centerset Holes	- H38
<input type="checkbox"/> WD04 Dyson Airblade Wash+Dry Deck Mounted Faucet (Recommend ASSE 1070 Valve)	
<input type="checkbox"/> WD06 Dyson Airblade Wash+Dry Wall Mounted Faucet (Recommend ASSE 1070 Valve)	
D PRODUCT OPTIONS Optional Selection	INIT. _____
<input type="checkbox"/> MXTP (ASSE 1070 Tempering Valve)	-ST70CP-12
<i>NOTE: Recommend One (1) Mixing Valve Per Station. Valve Specs: 4.5 GPM (17 LPM) @ 45 PSI (310 kPa)</i>	
<input type="checkbox"/> P-Trap Waste (Must Specify Type)	-PT
<input type="checkbox"/> Plastic P-Trap <input type="checkbox"/> Brass P-Trap	
<input type="checkbox"/> Integral Overflow	-OF
E P-TRAP COVER ENVIRO-GLAZE® COLOR Satin Finish Standard- Optional Selection	INIT. _____
Enviro-Glaze Color Color: _____ (Refer to https://www.neometro.com/uploads/filelibrary/AE-enviroglaze-colorchart-high_6-09-14.pdf for available colors)	

Customer is required to submit Faucet spec sheet to confirm compatibility with Neo-Metro's Faucet drilling.

Wedge™ 72" Solid Surface Basin

Integral Basin is intended to be mounted to accommodate ADA. Basin is constructed of Corterra® solid surface polymer resin and combines the look of granite and the feel of commercial-grade designer Basins. Adequate wall backing is required to support this wall mount, off-floor Basin fixture. When mounted 33" at finished floor, fixture will comply with OBC requirements. When mounted 34" at finished floor, fixture will comply with ANSI, UFAS and ADA requirements. Alternatively, the fixture may be mounted at the height to comply with ADA requirements for children. Compliance is subject to the interpretation and requirements of the local code authority.

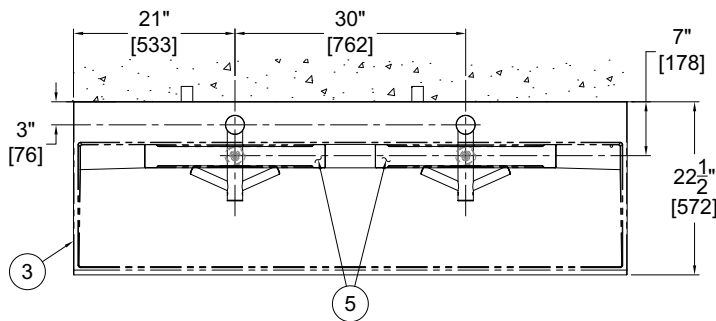
P-Trap Enclosure is included to conceal hot & cold Mixing Valve, Supply and Waste connections. Enclosure is fabricated of 18 gage, type 304 stainless steel with a satin finish and engineered to provide a profile that complies with both ADA & OBC.

 **Wedge Basin** is constructed of Corterra® solid surface polymer resin. Fixture includes Grid Strainer.

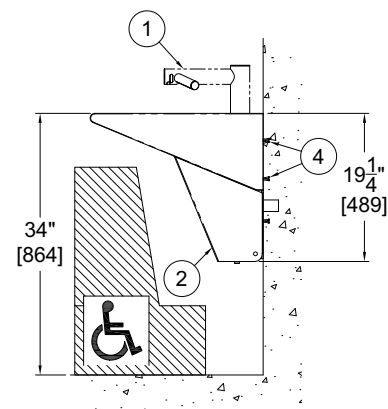
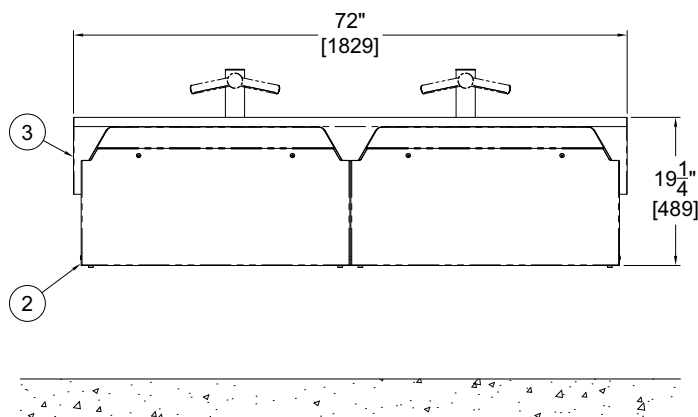
Mounting Bracket is included and fabricated of 11 gage stainless steel with rear Anchoring Slots. Adequate wall backing is required.

Optional Valve is available; ASSE 1070 compliant Valve delivers constant water flow by compensating for temperature and pressure fluctuations. Valve is factory set to 105° Fahrenheit and includes integral Checks and Strainer to prevent cross-flow and contamination. Maximum operating pressure 125 PSI.

Dyson Airblade Wash+Dry Faucet is optionally available. Also available (-H1) a 1-3/8" (34.9mm) hole can be drilled in a pre-configured single-hole per station and (-H0) a no hole option for wall mounted Faucets by others. Neo-Metro requires customers to submit specification sheet of Faucet to confirm compatibility. Custom Faucet configurations may be specified by submitting a completed and signed Faucet Drilling Worksheet. Neo-Metro stainless steel commercial Faucets are available and sold separately.



- ① OPTIONAL WD04 DYSON AIRBLADE™ WASH+DRY DECK MOUNTED FAUCET SHOWN
- ② P-TRAP & PIPING HINGED ENCLOSURE
- ③ CORTERRA® SOLID SURFACE WEDGE BASIN
- ④ MOUNTING HARDWARE, BY OTHERS
- ⑤ REMOVABLE GRATE COVER



Model Shown: 9162 (2-Station) Basin
72" Wide Solid Surface Wedge Basin

All dimensions are subject to manufacturer's tolerance of plus or minus 1/2" nominal and subject to change without notice. Neo-Metro assumes no responsibility for use of void or superseded data. Neo-Metro, City of Industry, CA, Member of Morris Group International. Please visit www.neo-metro.com for most current specifications.

When properly installed, the Basin is ADA compliant.



INSTALLATION INSTRUCTIONS ARE AVAILABLE