



FinishPro™ HVLP 7.0/9.0/9.5

3A4967E
EN

For professional use only. For portable spray applications of fine finish coatings. Not approved for use in explosive atmospheres or hazardous locations.

FinishPro HVLP 7.0/9.0 Standard
 FinishPro HVLP 7.0/9.0/9.5 ProContractor
 FinishPro HVLP 9.5 ProComp
 See page 3 for additional model information

10 psi (0.07 MPa, 0.7 bar) Maximum Working Pressure
 ProComp Models: 50 psi (0.35MPa, 3.5 bar) Maximum Fluid Working Pressure



Important Safety Instructions

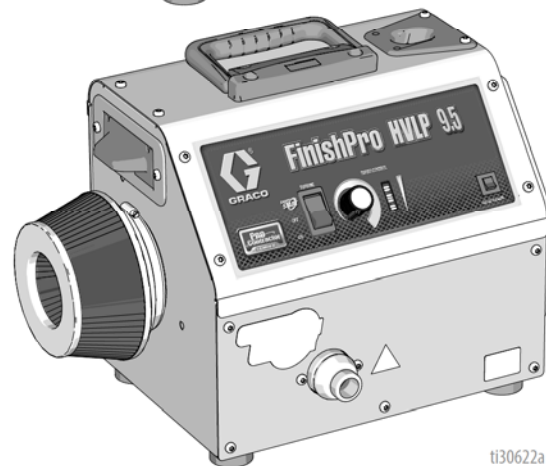
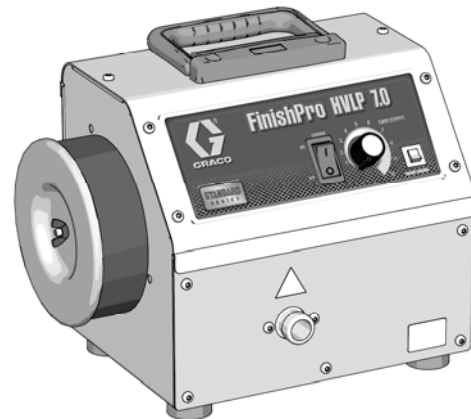
Read all warnings and instructions in this manual and in related manuals. Be familiar with the controls and the proper usage of the equipment. Save these instructions.

Related Manuals:	
3A4980	Gun

WARNING

FIRE AND EXPLOSION HAZARD

- The turbine motor generates sparks. Keep sprayer at least 20 feet (6m) from spray area. Use additional hose if necessary.
- Spraying flammable or combustible materials in a factory or fixed location must comply with NFPA 33 and OSHA 1910.94(c) requirements in the USA and with all similar local regulations in other countries.



??
??

SERVICE to every customer, every time
 www.graco.com/techsupport

ti30622a

Table of Contents




Table of Contents

Models	3
Key Features	3
Warnings	4
Know Your Sprayer	7
Standard Models	7
ProContractor Models	8
ProComp Models	9
Pressure Relief Procedure	10
Setup	11
Fluid and Work Piece Preparation	12
Fluid Set Selection	12
Startup	13
Fill FlexLiner System	13
Fill Remote Cup (ProComp Models only)	14
Startup	16
Cup Over Installation	17
How to Spray	19
Spray Techniques	19
Triggering Gun	19
Aiming Gun	20
Refilling FlexLiner	20
Refilling Remote Cup	20
Cleanup	21
Troubleshooting	27
Parts	30
Standard Models	30
Parts List - Standard Models	31
Parts	32
ProContractor Models	32
Parts List - ProContractor Models	33
Parts	34
ProComp Models	34
Parts List - ProComp Models	35
Parts - Power Cords & Accessories	36
Parts List - Power Cords & Accessories	37
Wiring Diagrams (Standard)	38
Wiring Diagrams (Standard)	39
Wiring Diagrams (ProContractor)	40
Wiring Diagrams (ProComp)	41
Technical Specifications	42
Graco Standard Warranty	46
Graco Information	47

Models

Key Features

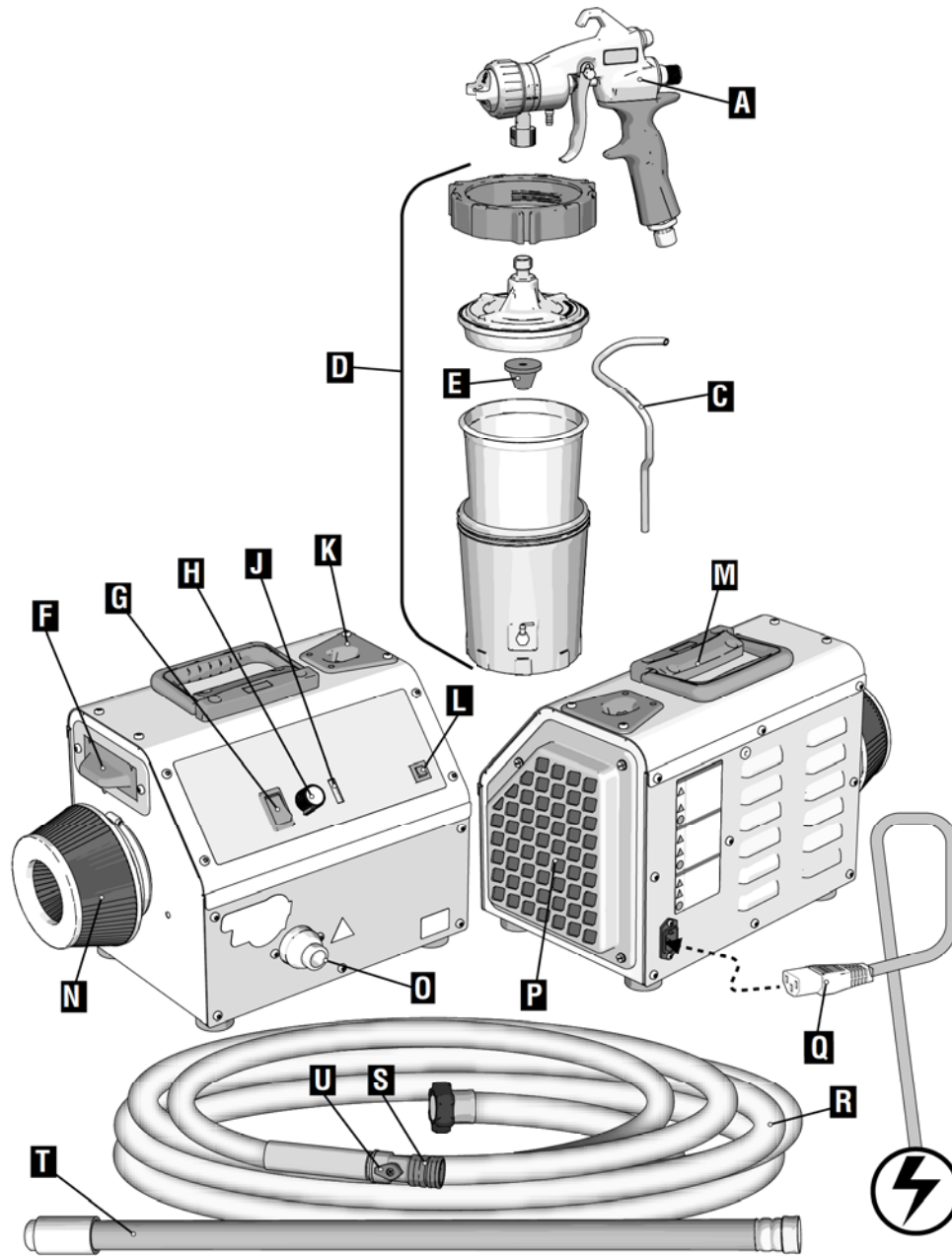
TurboControl - Not available on all models	<ul style="list-style-type: none"> Allows user to adjust sprayer performance to match application needs. Use at lowest setting that provides desired finish. Reduces heat buildup and job site noise.
SmartStart - Available only on ProContractor and ProComp models	<ul style="list-style-type: none"> Sprayer automatically turns off after no spraying activity; trigger gun to re-start sprayer. Reduces heat buildup and job site noise. Turn switch to ON if SmartStart is not desired.
FlexLiner System - Not available on all models	<ul style="list-style-type: none"> Allows user to spray gun at any angle without cup adjustment. Reduces cleaning time with no siphon tube and disposable liner. Quick change cup connection.

	VAC	Model	Part Number	Hose			Spray Gun		Fluid Sets		
				20-ft	30-ft	4-ft Whip	Edge II	Edge II Plus	#3	#4	#5
	120 USA	7.0 Standard	17U105								
		7.0 Standard	17N263	✓			✓		✓		
		9.0 Standard	17N264	✓			✓		✓		
		7.0 ProContractor	17N265		✓			✓	✓		
		9.0 ProContractor	17N266		✓			✓	✓	✓	
		9.5 ProContractor	17N267		✓	✓		✓	✓	✓	✓
		9.5 ProComp	17N269		✓	✓		✓*	✓	✓	✓
	230 CEE 7/7	7.0 Standard	17P528	✓			✓		✓		
		7.0 Standard	17T980	✓			✓		✓		
		9.0 Standard	17P529	✓			✓		✓		
		7.0 ProContractor	17P530		✓	✓		✓	✓		
		9.0 ProContractor	17P531		✓	✓		✓	✓	✓	
		9.5 ProContractor	17P532		✓	✓		✓	✓	✓	✓
		9.5 ProContractor	17T982		✓	✓		✓	✓	✓	✓
		9.5 ProComp	17P533		✓	✓		✓*	✓	✓	✓
	230 Europe Multi / UK	7.0 Standard	17P534	✓			✓		✓		
		9.0 Standard	17P535	✓			✓		✓		
		7.0 ProContractor	17P536		✓	✓		✓	✓		
		9.0 ProContractor	17P537		✓	✓		✓	✓	✓	
		9.5 ProContractor	17P538		✓	✓		✓	✓	✓	✓
		9.5 ProComp	17P539		✓	✓		✓*	✓	✓	✓
	230 Asia / ANZ / SCA	7.0 Standard	17R074	✓			✓		✓		
		9.0 Standard	17R075	✓			✓		✓		
		7.0 ProContractor	17R078		✓			✓	✓		
		9.0 ProContractor	17R079		✓			✓	✓	✓	
		9.5 ProContractor	17R080		✓	✓		✓	✓	✓	✓
		9.5 ProComp	17R081		✓	✓		✓*	✓	✓	✓

*ProComp Models - Edge II Plus spray gun for remote cup. FlexLiner System Conversion Kit included.

Know Your Sprayer

ProContractor Models

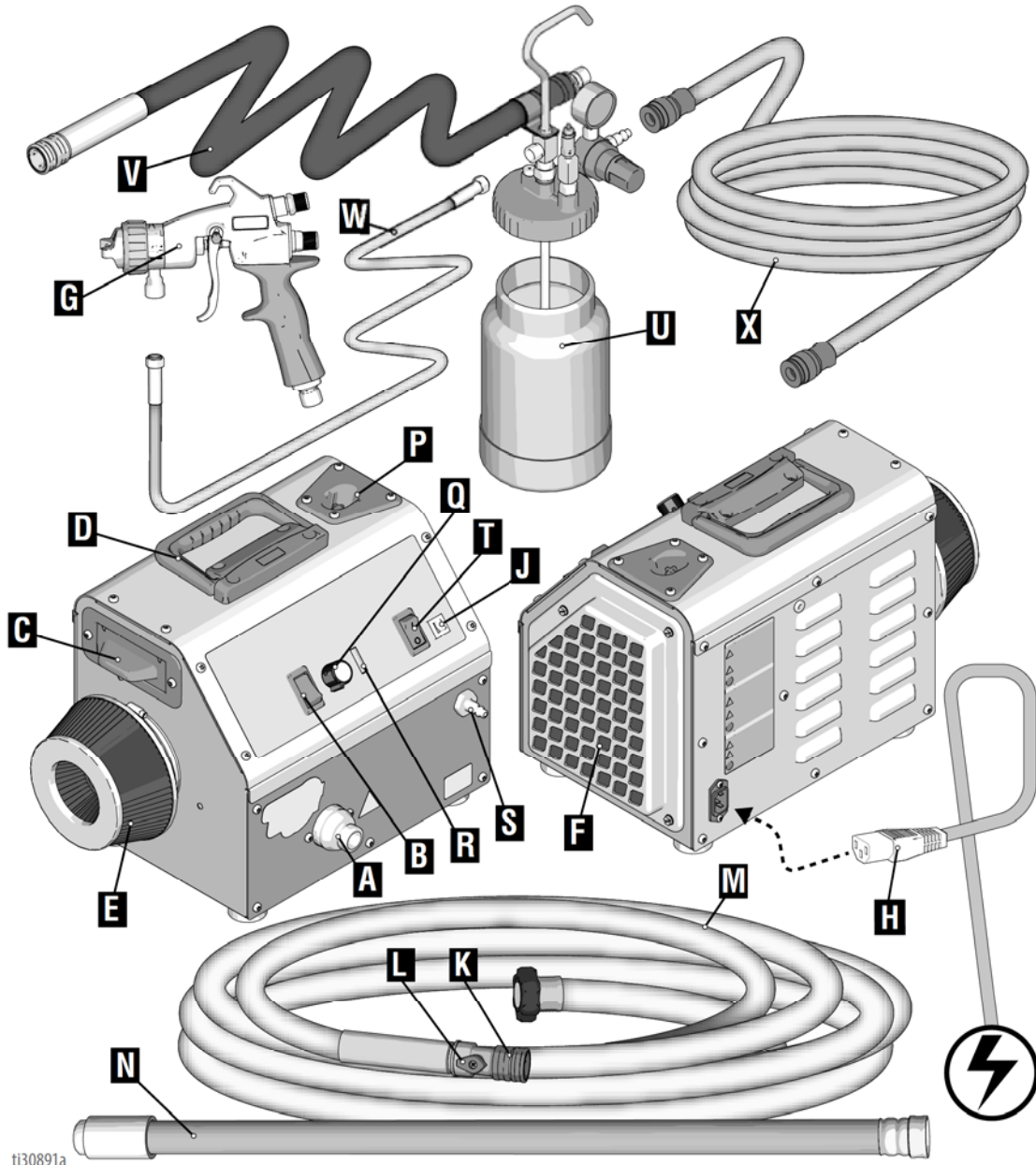


ti30754a

A	Edge II Plus Spray Gun
C	Spray Gun Tubing
D	FlexLiner System
E	Material Strainer
F	Fluid Set Storage
G	ON/OFF/SmartStart Switch
H	TurboControl
J	TurboControl LED Indicator
K	Spray Gun Holder
L	Resettable Circuit Breaker

M	Sprayer Handle
N	Turbine Air Filter
O	Air Outlet
P	Motor Air Filter
Q	Power Cord
R	Sprayer Air Hose
S	Quick Connect
T	Whip Hose (select models)
U	Air Valve

ProComp Models



ti30891a

A	Air Outlet
B	ON/OFF/SmartStart Switch
C	Fluid Set Storage
D	Sprayer Handle
E	Turbine Air Filter
F	Motor Air Filter
G	Edge II Plus Spray Gun
H	Power Cord
J	Resettable Circuit Breaker
K	Quick Connect
L	Air Valve

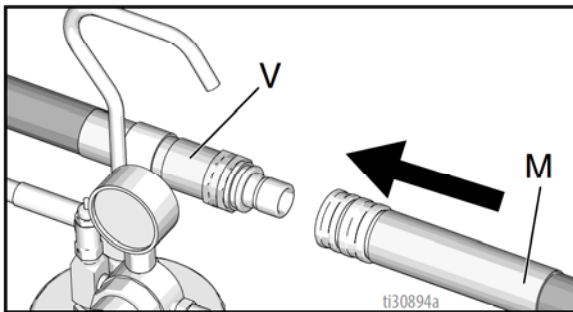
M	Sprayer Air Hose
N	Whip Hose
P	Spray Gun Holder
Q	TurboControl
R	TurboControl LED Indicator
S	Compressor Outlet
T	Compressor ON/OFF Switch
U	Remote Cup, 2-qt
V	Gun Air Hose, 5-ft
W	Remote Cup Fluid Hose, 5-ft
X	Remote Cup Air Hose, clear

Setup

When unpacking sprayer for the first time or after long term storage, perform setup procedure.

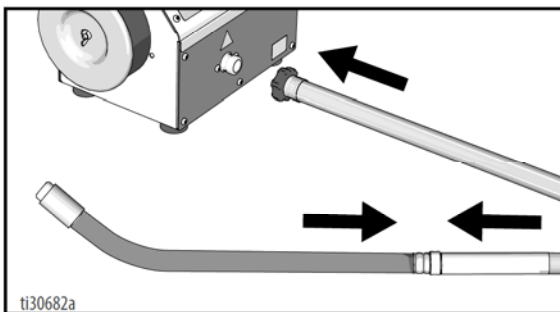
1. Connect air hose to sprayer. Hand tighten.
2. If using a ProComp Model with remote cup:

Connect gun air hose (V) to end of sprayer air hose (M).



NOTICE

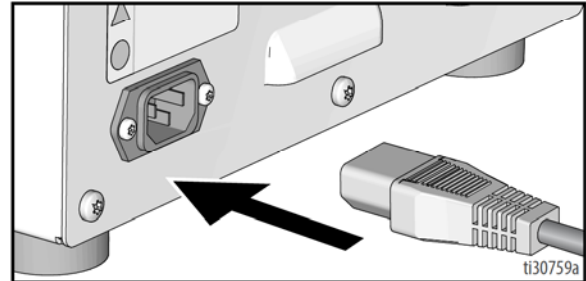
For units with a whip hose, do not connect whip hose directly to sprayer. Connect whip hose to gun end .



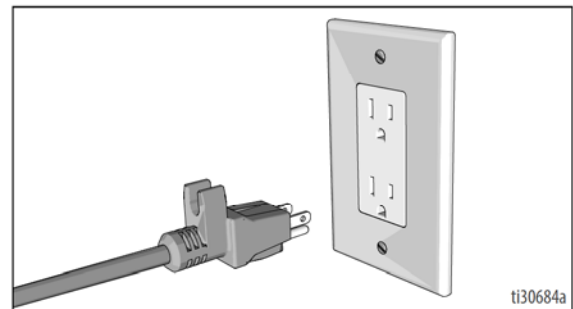
NOTICE

The SmartStart feature on ProContractor and ProComp models relies on an air tight system. Use components provided with sprayer and Edge II Plus gun. Ensure all hose connections are secure to avoid air leakage.

3. Connect power cord to sprayer power connection.



4. Plug sprayer power cord into grounded outlet.

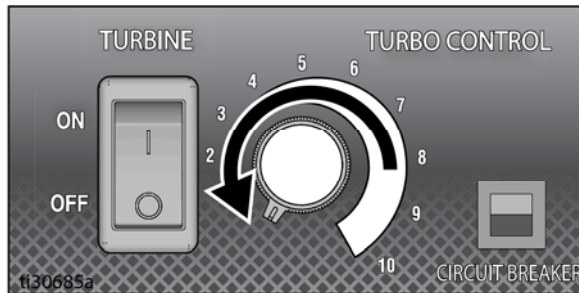


Startup

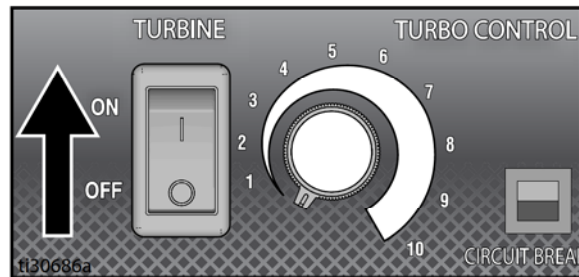
Startup

TurboControl allows for performance adjustment of the sprayer. To reduce over-spray, always start at lowest setting and increase to the minimum setting required to provide the desired finish.

1. Turn TurboControl to lowest setting.

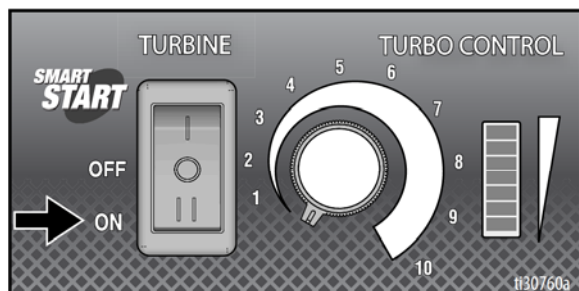


2. Turn ON/OFF switch to **ON** position.



NOTE: ProContractor and ProComp models in SmartStart setting will automatically turn off when not actively spraying. Sprayer will start upon re-triggering of HVLP Edge II Plus gun. Turn switch to ON position if SmartStart is not desired. In ON mode, unit will still shutdown after 3 minutes of non-use. Sprayer will start upon re-triggering of gun.

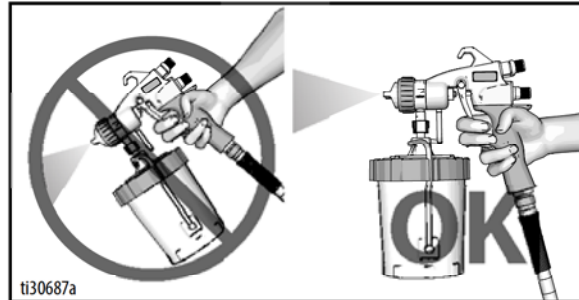
NOTE: For SmartStart to function, use components provided with sprayer and Edge II Plus gun. For replacement parts, see pages 32-37.



If using FlexLiner System:

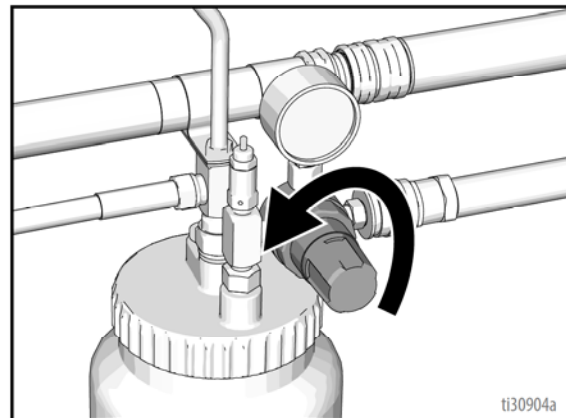
3. Point gun into a waste area. Evacuate air from FlexLiner System by holding gun vertically and pull trigger open until a continuous spray pattern is observed.

NOTE: Tilt gun back and forth to help in evacuation of air.

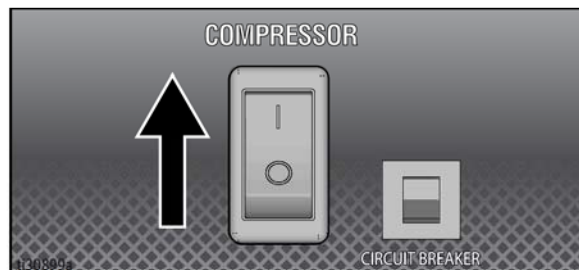


If using remote cup with ProComp Model:

4. Turn pressure regulator to lowest setting.



5. Turn compressor ON/OFF switch to ON position.



NOTE: If experiencing low remote cup pressure, disconnect clear air hose from compressor outlet (see step 2, page 15) and allow compressor to run for 10 seconds. Reconnect air hose.

Troubleshooting



1. Follow **ProComp Models**, page 9, before checking or repairing.
2. Check all possible problems and causes before disassembling the unit.

Problem	Cause	What to Do
Sprayer not starting	No Power	Check electrical outlet for power. Cycle ON/OFF switch. Check that correct power cord is used and plugged in. Check circuit breaker. Push to reset.
	Sprayer automatically shut-off while in SmartStart setting (ProContractor and ProComp models only)	Verify air valve prior to gun is open. Trigger gun.
No fluid delivery	No material	Check cup for material. See Fill FlexLiner System , page 13.
	No cup pressurization	Check for leaks in the FlexLiner System. See "FlexLiner System" section, page 28.
		ProComp:
		Check for air leaks from the remote cup cover and gasket. Tighten cover if loose. Clean or replace gasket as necessary.
		Check for air flow from male quick-disconnect at ProComp outlet.
		Turn pressure regulator on remote cup clockwise. Look for pressure on gauge. If no pressure, check air line fittings.
	Check hole in remote cup cover at needle valve for blockage or dirt. Clean if necessary.	
Gun tubing clogged	Check for obstructions in gun tubing. Clean or replace gun tubing if necessary.	
Fluid inlet clogged	FlexLiner System: Check for obstructions in material strainer and inlet fitting.	
	ProComp:	
	Check if fluid pickup tube in remote cup is loose. Tighten. Blow out and clear material hose.	
Trigger pin in UNLOCK position	Check trigger pin location. Must be in SPRAY position.	

Troubleshooting

Problem	Cause	What to Do
Poor atomization	Dirty gun	Clean gun. See Cleaning HVLP Edge II Gun , page 25.
	Dirty air filters	Clean turbine and motor air filters. Replace as necessary. See Cleaning Filters , page 21.
	Extension cord too long	Extension cord must be a 3-wire, 12 AWG (2.5mm ²) minimum, 50 ft (15 m) maximum length.
	Air hose too long	Replace with shorter hose, no shorter than 20 ft (6,1 m)
	Leaking air hose connections	Disconnect and securely connect all hose connections.
Circuit breaker trips	Dirty air filters	Clean turbine and motor air filters. Replace as necessary. See Cleaning Filters , page 21.
	Incorrect power supply voltage	Verify power supply voltage is correct for sprayer model.
	High ambient temperature	Move sprayer to cooler area.
	Excessive current draw	Return to authorized service center.
TurboControl LED Indicator blinks (ProContractor and ProComp models only)	Dirty air filters	Clean turbine and motor air filters. Replace as necessary. See Cleaning Filters , page 21.
Sprayer shutoff while spraying	Circuit breaker	See "Circuit breaker trips" section above.
	Dirty air filters (Blinking TurboControl LED Indicator - ProContractor and ProComp models only)	Clean turbine and motor air filters. Replace as necessary. See Cleaning Filters , page 21.
	SmartStart active (ProContractor and ProComp models only)	Release gun trigger and re-trigger gun. Turn switch to ON position if SmartStart is not desired.
Sprayer does not automatically shut-off while in SmartStart setting (ProContractor and ProComp models only)	Leaking air hose connections	Verify air hose and attached components are those shipped with the sprayer.
		Disconnect air hoses. Verify o-ring is present inside connection fitting at turbine end of hose. If using a whip hose, verify gasket is present inside connection fitting. Securely connect all hose connections.
		Replace with Graco HVLP accessories, if necessary. See pages 36 and 37.
	Gun leaking air	Verify use of Edge II Plus gun. If SmartStart functions when air valve at end of hose is closed, clean gun. See Cleaning HVLP Edge II Gun , page 25. See separate HVLP Edge II Gun manual.
FlexLiner System:		