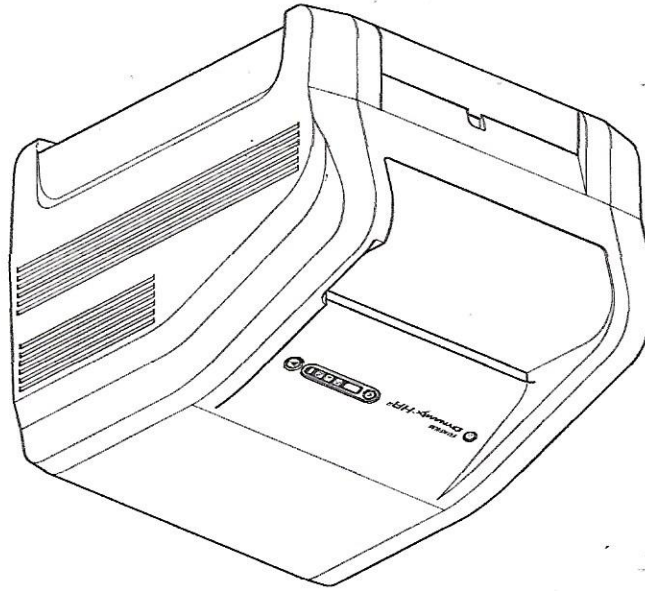


FUJIFILM Corporation

This Operation Manual describes details on how to operate the Dynamix HR² (CR-IR 385) and cautions to be observed when operating it.
Please read the Operation Manual thoroughly before actually operating the Dynamix HR² (CR-IR 385) system. After reading this manual, store it nearby the Dynamix HR² (CR-IR 385) so that you can see it whenever necessary.



FUJIFILM

Fujifilm Computed Radiography **DYNAMIX™ HR²**

(CR-IR 385)

Operation Manual

6th Edition February 2019

For Safe
Operation

Product
Overview

Basic
Operation

Troubleshooting

Care and
Maintenance

Appendix

Periodic
Maintenance

Index