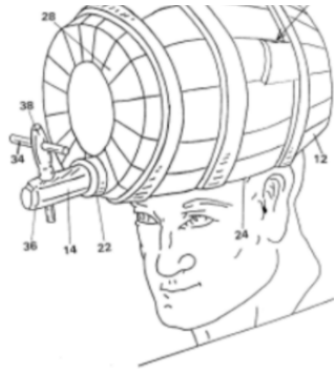


ADVENTURES[™]

LATEST STORIES AND INSIGHTS



Wacky Patent: Substance Dispensing Headgear

[Read More →](#)

Oct 14, 2020

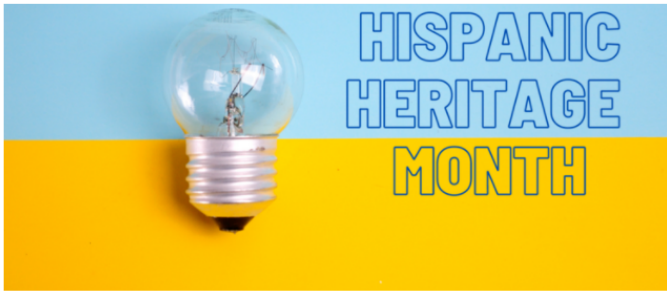


Patent Filings for the Edible Cannabis Industry Are Getting High

[Read More →](#)

Oct 6, 2020

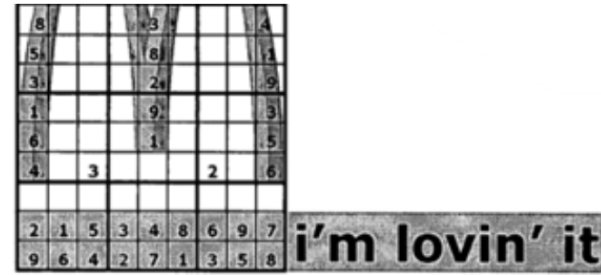




Hispanic Inventors that have Revolutionized their Fields

[Read More →](#)

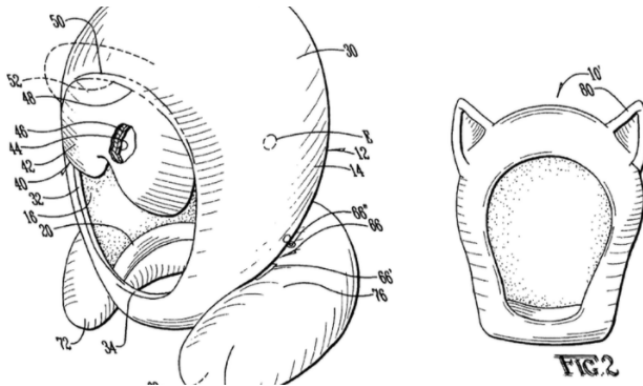
Sep 16, 2020



Wacky Patent: Promotional Methods Using Sudoku Puzzles

[Read More →](#)

Sep 9, 2020



Wacky Patent: The Wearable Pillow

[Read More →](#)

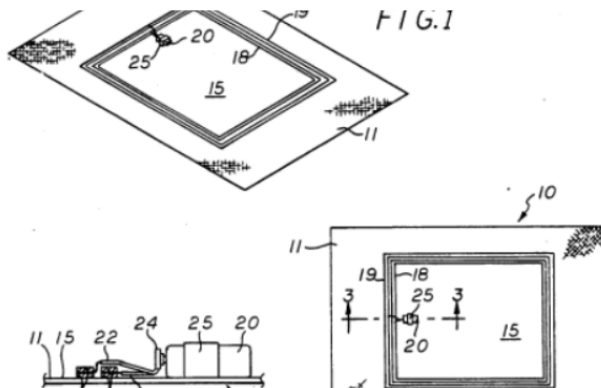
Sep 2, 2020



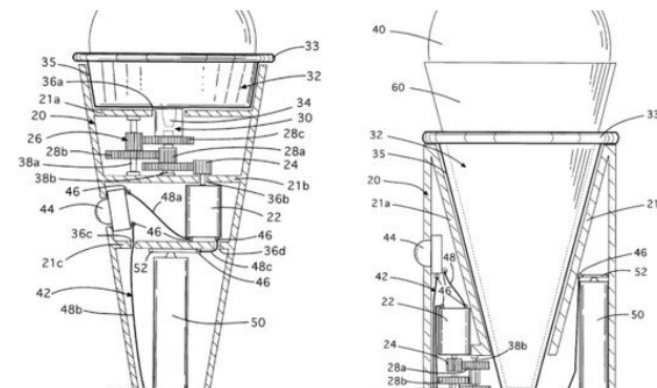
New Professionals Join Advent

[Read More →](#)

Aug 31, 2020



Wacky Patent: Electrified Table Cloth



Wacky Patent: Motorized Ice Cream

[Read More →](#)

Aug 26, 2020



Advent Celebrates 10 Years of Reshaping the IP Business Model

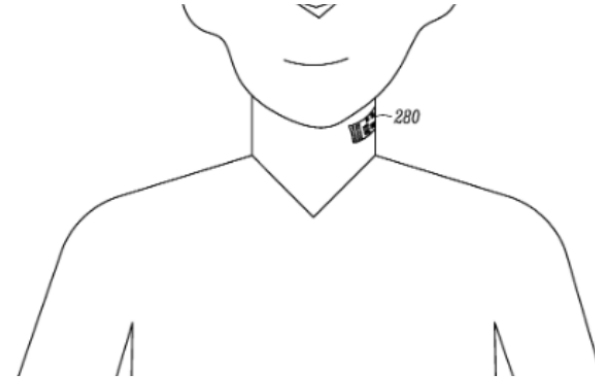
[Read More →](#)

Aug 17, 2020

Cone

[Read More →](#)

Aug 19, 2020



Wacky Patent: Coupling an Electronic Skin Tattoo to a Mobile Communication Device

[Read More →](#)

Aug 12, 2020

ADVENT®

THE ADVENT BUILDING

17838 Burke Street, Suite 200
Omaha, NE 68118

PH: 402.502.1020

FX: 402.504.1636

© 2020 ADVENT, LLP

[home](#)

[our model](#)

[focus](#)

[team](#)

[diversity & inclusion](#)

[ADVENTURES™](#)

[FAQs](#)

[careers](#)

[contact](#)



10/23/2020 2:06:32 PM

<https://www.adventip.com/our-insights>