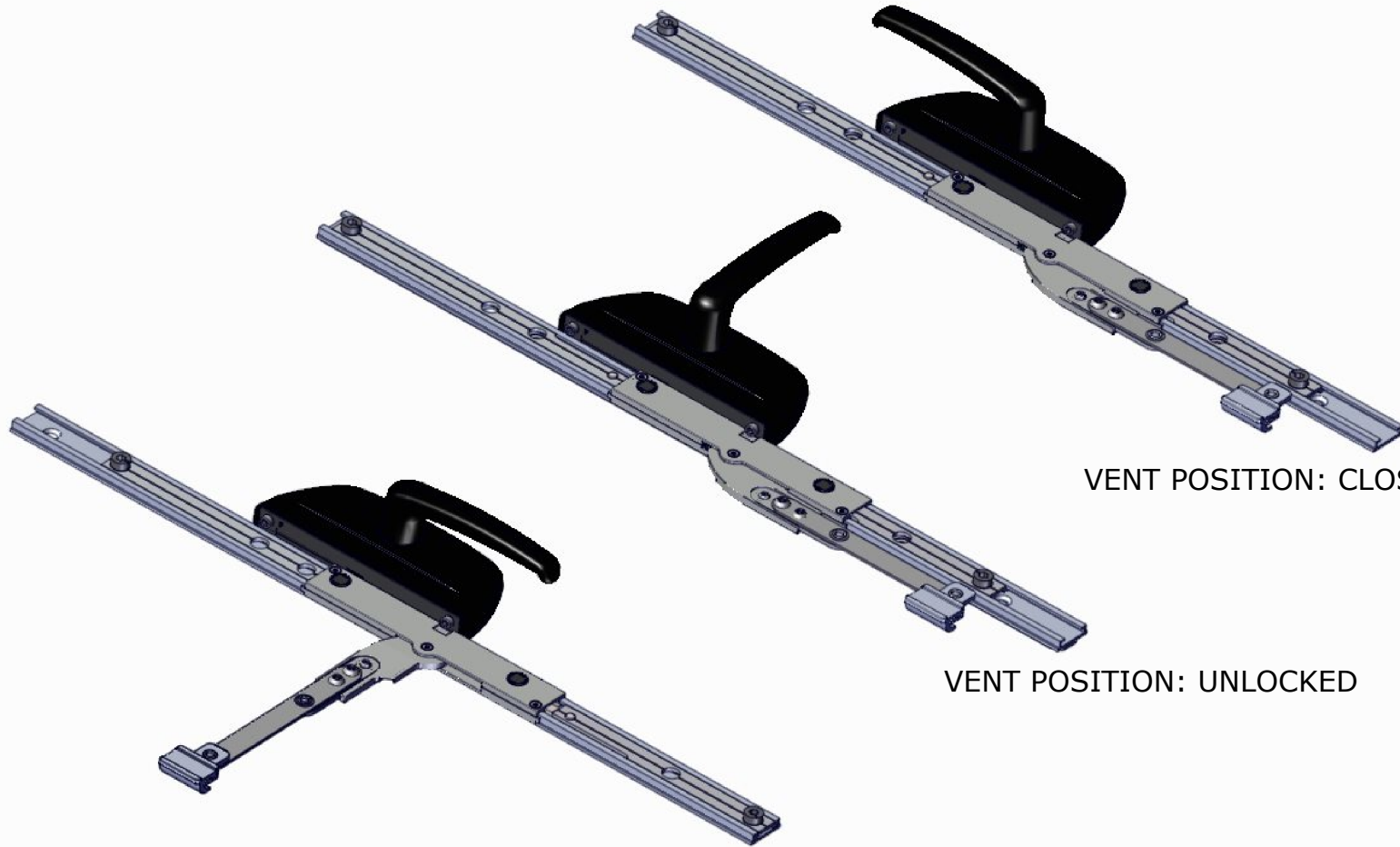




OMNI DRIVE™

Operational Procedure

SYSTEM SHOWN:
-Single OMNI DRIVE™
-2 Lock Points



VENT POSITION: CLOSED / LOCKED

VENT POSITION: UNLOCKED

VENT POSITION: OPEN

CSL-00018 Sht. 1 of 1 10/1/2018