



# P.L. LIGHT SYSTEMS

THE LIGHTING KNOWLEDGE COMPANY

T: 905.563.4133  
 Toll Free: 1.800.263.0213  
 F: 905.563.0445  
 www.plight.com

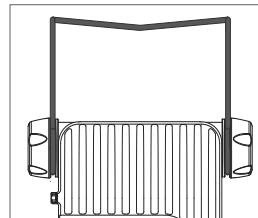


NXT2 – Beta Reflector

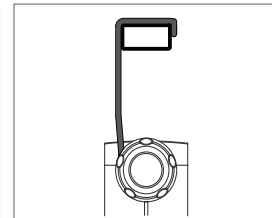
FIXTURE	HSE NXT II
Project	
Notes	



NXT2 – Asymmetric Reflector



Wire Bracket – Side View



Wire Bracket – End View



C US

TECHNICAL SPECIFICATIONS†					
	600W		1000W		
RATED MAIN VOLTAGE	277V	347V	277V	347V	400V
Input Current	2.29A	1.86A	3.77A	3.01A	2.58A
Power Factor	>0.98		>0.98		
Input Frequency	50/60Hz		50/60Hz		
Actual Input Power	630W	630W	1,045W	1,045W	1,032W
Lamp Type	HPS 600W	400V Electronic	HPS / MH*	1,000W	400V Electronic

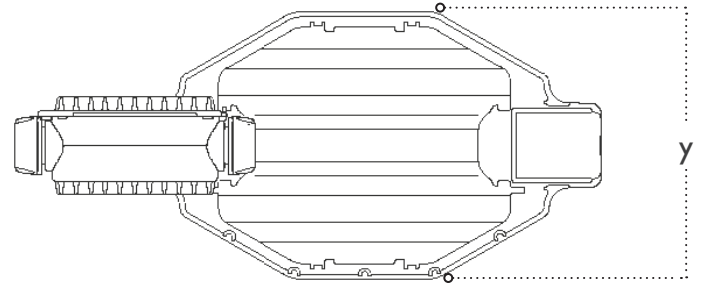
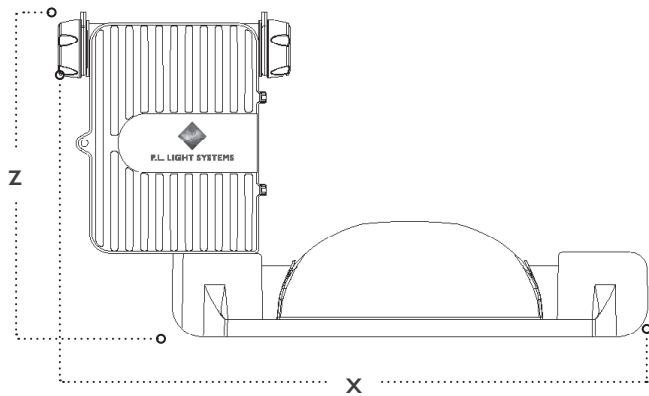
†Accurate to ± 10%

\*Note: Given the volatility of MH gas, MH lamps will exhibit slightly higher failure rates vs. HPS lamps.

SPECIFICATION						
1. FIXTURE	2. FIXTURE WATTAGE	3. VOLTAGE	4. LIGHT SOURCE	5. REFLECTOR	6. CORD / PLUG	7. MOUNTING
NXT2 NXT2 RST	600W 1,000 Watts	277V 347V 400V*	600W USHIO HPS DBL 1,000W PL Light HPS DBL 1,000W Philips HPS DBL 1,000W USHIO HPS DBL 1,000W USHIO MH DBL*	Alpha Beta Asymmetric	Consult Factory	2" x 1" NXT2 Truss Bracket 2" x 2" NXT2 Truss Bracket 1-5/8" x 1-5/8" NXT2 Track Bracket Custom Hanging Bracket

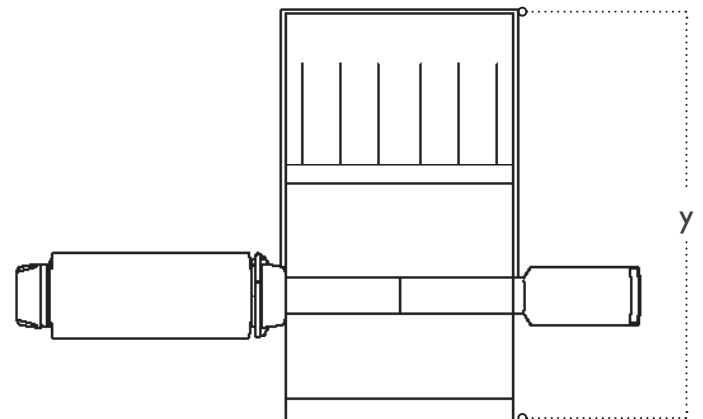
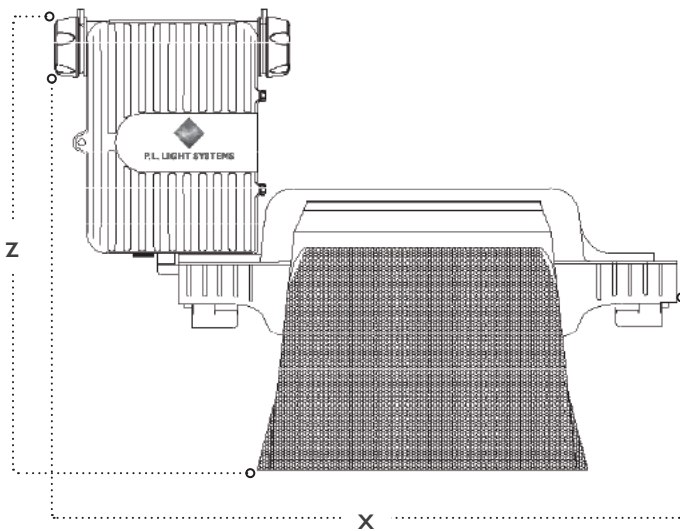
Warranty Terms: Fixtures warranted for three (3) years; electronic drivers three (3) years; HPS Lamps : four (4) years or 10,000 burning hours / MH Lamps: one (1) year or 6,000 burning hours, whichever comes first.

# DIMENSIONS



with Alpha / Beta Reflector

x = length	23.375 in. (59.4cm)
y = width	10.25 in. (26cm)
z = height	12.0 in. (30.48cm)
weight	8.82 lbs (4.0kg)



with Asymmetric Reflector

x = length	22.75 in. (57.79 cm)
y = width	14.00 in. (35.56 cm)
z = height	13.25 in. (33.66 cm)
weight	9.48 lbs (4.3 kg)