

GENERAL GUIDELINES

- All wiring must meet NEC or local codes.
- 20/2 solid wire is strongly recommended, from power supply to fixtures, and between fixtures.
- Wire length is maximum of 30 feet from power supply to fixtures.
- Maximum of 60 watts of sempriaLED lighting is allowed per zone.
- Place switches on the 120V side of power supply.
- If other than Task specified dimmers are desired, call Task Lighting for instructions.
- **Improper installation or applying improper voltage to fixture will void warranty.**
See TaskLighting.com for full warranty info.

POWER SUPPLIES

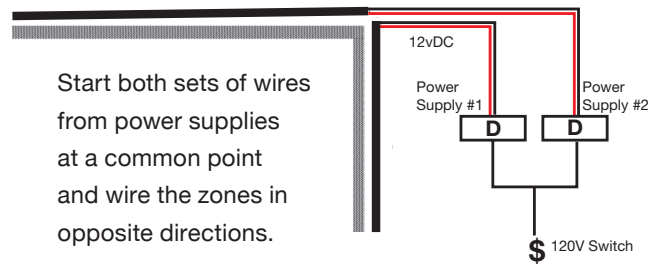
- **A 12 VOLT DC POWER SUPPLY MUST BE USED!**
- Power Supply must be accessible; the sink base or top of cabinet are common locations.
- Do not locate power supply in attic.
- Some power supplies may be concealed within our TR Series Angle Power Strip or Lighted Power Strip.

PRE-WIRING

Run separate wire from power supply location to each zone. If total wattage of sempriaLED fixtures in zone exceeds 60 watts, use a second power supply and run additional 20/2 solid wire for additional zone. When using two power supplies, start both sets of wires from a common point and wire the zones in opposite directions. Wiring may start at either end of fixture. (Option: separate wire may be run from power supply to each fixture.)

SEE POWER SUPPLY INSTALLATION INSTRUCTIONS FOR INSTALLING POWER SUPPLY

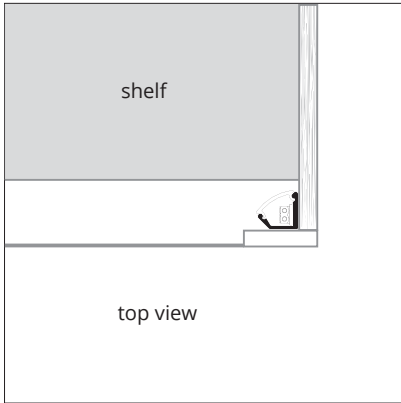
WHEN USING TWO POWER SUPPLIES:



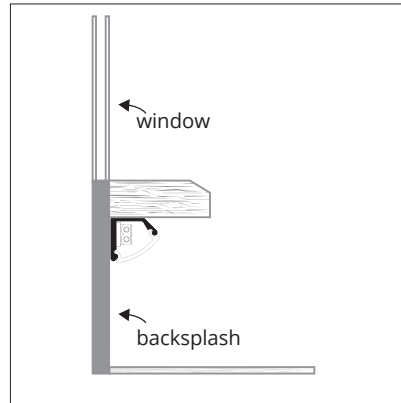
INSTALLATION

1. Remove lens from fixture.
2. Select side of fixture that will attach to mounting surface. Using 1/8" bit, drill two mounting holes one near each end of fixture (location is indicated by BLACK mark on end of fixture.) DO NOT pierce or damage LED board. Deburr metal.
3. Apply foam double-stick tape squares to same side of fixture, avoiding the mounting holes.
4. Strip 1/4" from RED 20/2 solid wire; push wire straight into terminal block opening with RED mark. Strip BLACK 20/2 solid wire; push wire straight into terminal block opening with BLACK mark.
(If using 20/2 stranded wire, ends must be tinned. Depress terminal block tab with ball point pen and insert wire.)
5. Cut wires to fit between adjacent fixtures. Insert wires into terminal blocks, maintaining polarity (RED wire to RED terminal, BLACK wire to BLACK terminal.)
6. If fixture does not light, reverse wires. Gently depress terminal block tab and carefully pull wires straight out.
7. Mounting surface must be finished and dust/residue free. Peel backing from tape squares and press firmly into place.
8. Using screws provided, secure fixture in place. DO NOT pierce LED strip with screws, nails, staples or any other mechanical device.
9. Snap lens back into place.

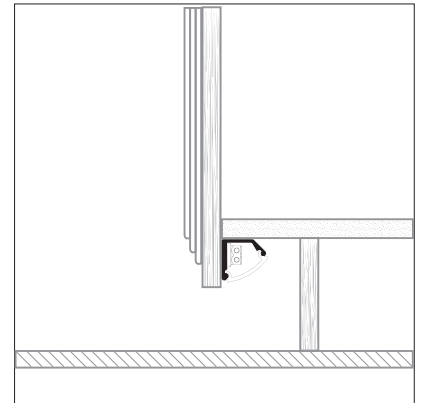
Interior Cabinet-Vertical



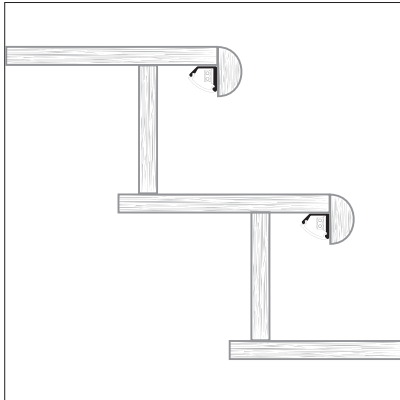
Window Sill



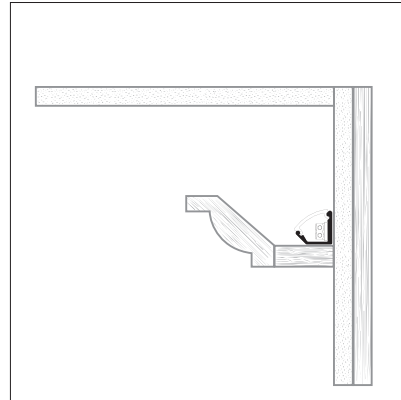
Toe Kick



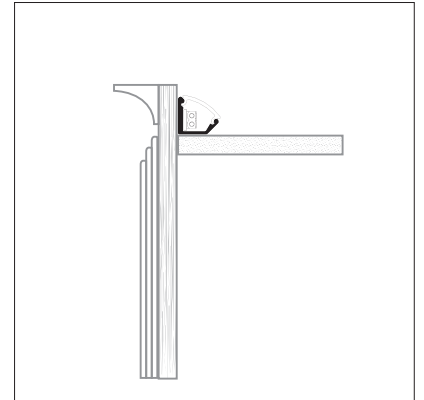
Stairs



Cove



Soffit-Above Cabinet



Deck Rail

