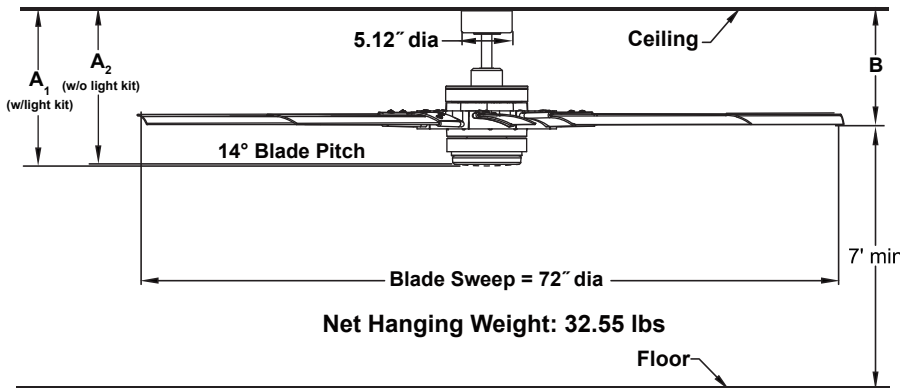
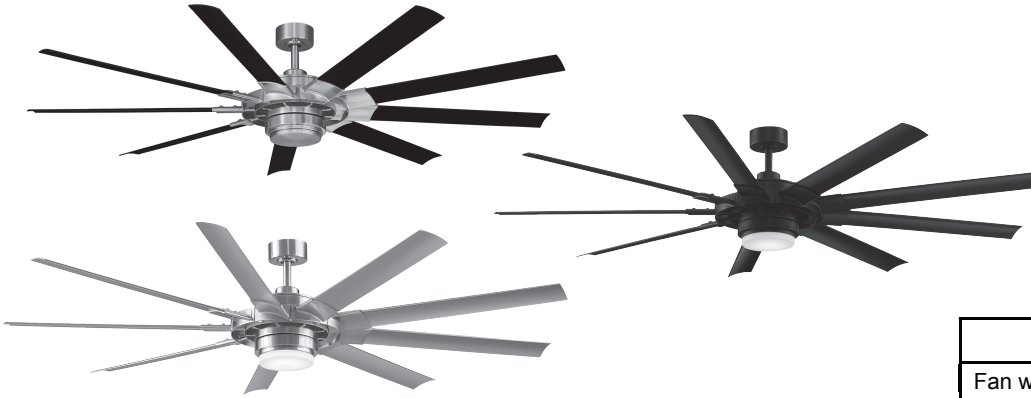




SLINGER™ v2

LP8147SLBN
(Lowes Item #581598)

LP8147S**
72" Ceiling Fan



	A ₁	A ₂	B
Fan w/ 6" downrod	15.65"	15.34"	11.52"
Fan w/12" downrod	21.65"	21.34"	17.52"
Fan w/18" downrod	27.65"	27.34"	23.52"
Fan w/24" downrod	33.65"	33.34"	29.52"
Fan w/36" downrod	45.65"	45.34"	41.52"
Fan w/48" downrod	57.65"	57.34"	53.52"
Fan w/60" downrod	69.65"	69.34"	65.52"
Fan w/72" downrod	81.65"	81.34"	77.52"

Available Finishes	
LBN	Brushed Nickel with Gray Blade and Opal Frosted Glass / Steel Cap
LBNBL	Brushed Nickel with Black Blade and Opal Frosted Glass / Steel Cap
LBL	Black with Black Blade and Opal Frosted Glass / Steel Cap

INSTALLATION REQUIREMENTS:

Fan must be attached to a securely anchored electrical junction box capable of withstanding a load of at least 35 lbs.

ELECTRICAL REQUIREMENTS:

Requires a grounded electrical supply line of 120 volts AC, 60 Hz, 15 amp circuit.

MOTOR SPECS:

DC-165NM sensorless DC motor is designed for optimal performance with this fan. Fan is Energy Star Rated.

BLADES:

A set of nine 29" plastic blades is included.

CONTROL OPTIONS:

TR29S hand-held DC fan remote control is included. Push button remote control has 6 fan speeds, fan off, infinite light levels and reverse button.

LIGHTING OPTIONS:

One 18-watt LED included.

DOWNROD OPTIONS:

Fan comes with a 1" Dia. x 6" downrod (DRT1-6). Optional downrods are available in 12", 18", 24", 36", 48", 60" and 72". For installations requiring a longer downrod, a downrod coupler is available. Fan must use 18" or longer downrod, and can be mounted on a sloped ceiling up to 19°. Optional sloped ceiling kits (SCK1-52) are available for up to 42°. Call technical support for more information.

LOCATION USE:

Fan is rated for dry and damp locations.

Airflow / Energy Efficiency Info (120V)					
Fan Speed	Max RPM	CFM	CFM / Watts	Amps	Watts
I	31	2211	1111	0.04	2
II	45	3970	939	0.07	4
III	57	5374	679	0.13	8
IV	70	6433	449	0.22	14
V	85	7621	305	0.34	25
VI	91	8210	272	0.43	30

Energy Guide FTC			
Power (Wave)	Total Air Delivery (CFMave)	Estimated Yearly Energy Cost (\$)	Ceiling Fan Efficiency (CFM/W)
19	5398	5	279

Light Bulb Information (120V)					
Bulb Type	Watts	QTY	Lumens Amount	Color Temp	CRI
LED	18	1	1440	3000	80%