

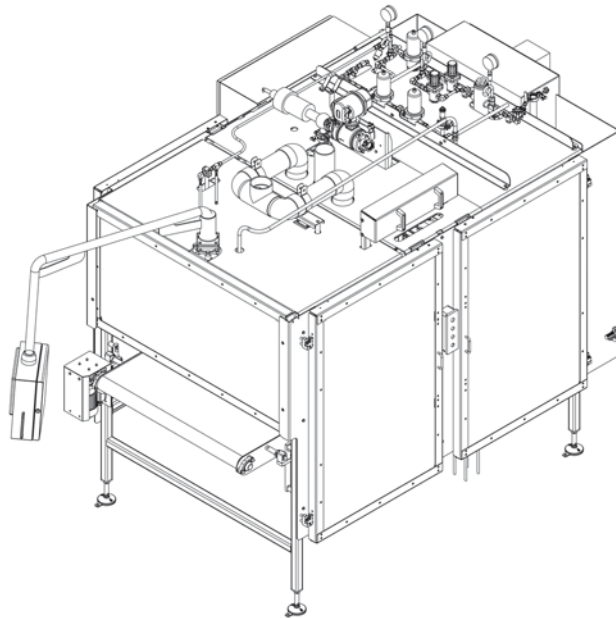


Scholle IPN

SUREFILL

ASEPTIC

User Manual



Revised: April 3, 2019
