

The logo for Allied, featuring the word "Allied" in a bold, black, sans-serif font. The letters are contained within a stylized frame consisting of a horizontal bar above the letters and a trapezoidal shape below them, resembling a table or a base.

STYLE NO: B 05BF  
QUANTITY: 1 PCS  
PO#: 106395  
Made in China



# Allied

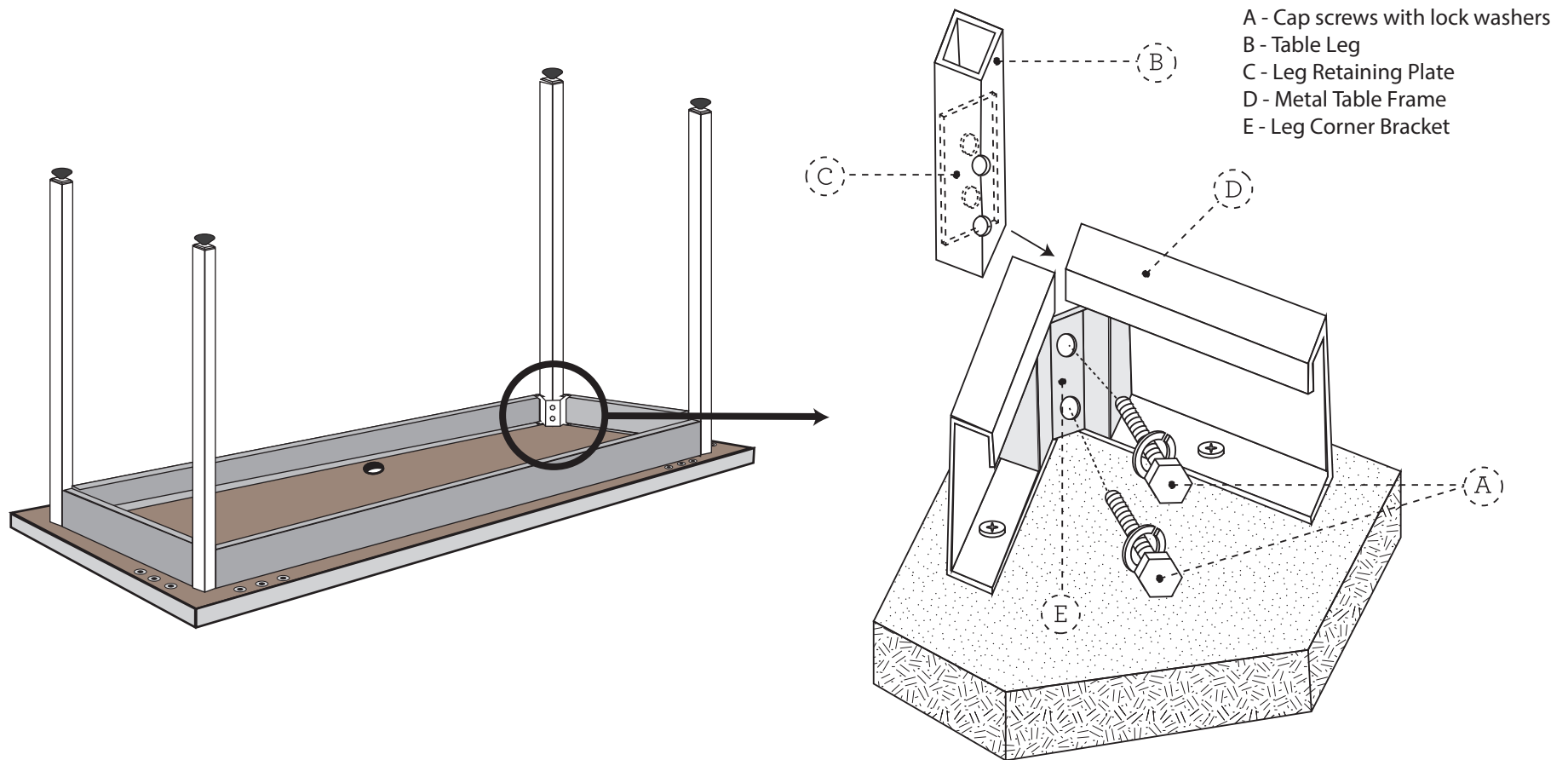
## 30-Year Warranty

Allied Plastics Co., Inc. warrants for a period of 30 years to the original purchaser that every Allied product is free from defects in workmanship and material, under normal use and service. All moving parts, to include but not limited to glides, casters, hinges and revolving platforms, etc. are warranted for 5 years against defects in workmanship or manufacture under normal use and service. Allied's obligation under this warranty is limited to the replacement or repair, at Allied's option, completely without charge for material or labor, of any part found defective by Allied. Shipping charges remain the responsibility of the purchaser.

This warranty is in lieu of all other warranties expressed or implied, and any representations or promises inconsistent with or in addition to this warranty are unauthorized and shall not be binding upon Allied. In no event shall Allied be liable for any special or consequential damages, whether or not foreseeable.

This warranty shall be void if the product has been subjected to misuse or has been damaged by negligence or accident, or if it has been repaired or altered by other than authorized agents of Allied

# 360 Program 8000 Series Table Assembly Instructions for 60" Tables



- 1) Place table bottom side up on a surface that will not scratch the top.
- 2) Position the Leg Retaining Plate inside The Table Leg being sure to align the holes
- 3) Place the Leg into the corner of the table frame.
- 4) Align the holes in the Leg Corner Bracket with the holes in the Table Leg and the Leg Retaining Plate.
- 5) Insert the Cap Screw with the Lock Washer through the holes in the Leg Corner Bracket and the Table Leg and tighten securely into the Leg Retaining Plate.
- 6) Repeat Procedure with the remaining legs.



For customer service call Allied at  
1-800-999-0386  
Ask for Vernon or Bill

Contact Allied Plastics Co. for a dealer near you at **1-800-999-0386**

- [Conformity](#)
- • [Order Tracking](#)
- • [FAQ](#)

*Top quality, custom crafted furniture since 1945*

Search By Model



- [Home](#)
- [Furniture](#) ▾
  - [School](#)
    - [Computer](#)
    - [Seating](#)
    - [Activity](#)
    - [Student Desks](#)
    - [Science](#)
    - [Study Carrels](#)
    - [Library](#)
    - [Art](#)
    - [Utility](#)
  - [Office](#)
    - [Game Tables](#)
    - [Seating](#)
    - [Computer](#)
    - [Utility](#)
  - [Food Service](#)
    - [Table Tops](#)
    - [Table Bases](#)
    - [Seating](#)
    - [Outdoor Elements](#)
    - [Utility](#)
    - [Game Tables](#)
    - [Lunchroom and Conference](#)
  - [Allied Digital Library](#)
- [Blog](#)
- [About Us](#)
- [Videos](#)
- [Find A Dealer](#)
- [Contact Us](#)

Allied Plastics Co. Inc., the Table Company headquartered in Jacksonville, Florida, manufactures tables, table tops and table legs for the school, office and food service industries. In business since 1945, and under third generation family ownership, Allied has served these industries by providing a wide range of top-of-the line, custom-crafted tables backed by superior customer service. Today, we sell our products through a diverse, non-exclusive network of distributors throughout the United States and internationally.



Allied's custom orders and ready-to-ship inventory includes a full range of school activity tables (pre-K through adult) as well as library tables, science tables, folding tables, computer tables and workstations, food service tables, conference tables, training tables and classroom furniture. And with Allied's full [30 year warranty](#) on all products, you can be sure that Allied is the clear choice for your school, office and food service table needs.

[Allied](#)

© 2019 Allied Plastics Co., Inc. All rights reserved.

Contact us today for dealer a near you at **1-800-999-0386**

Contact Allied Plastics Co. for a dealer near you at **1-800-999-0386**

- [Conformity](#)
- • [Order Tracking](#)
- • [FAQ](#)

*Top quality, custom crafted furniture since 1945*

Search By Model



- [Home](#)
- [Furniture](#) ▾
  - [School](#)
    - [Computer](#)
    - [Seating](#)
    - [Activity](#)
    - [Student Desks](#)
    - [Science](#)
    - [Study Carrels](#)
    - [Library](#)
    - [Art](#)
    - [Utility](#)
  - [Office](#)
    - [Game Tables](#)
    - [Seating](#)
    - [Computer](#)
    - [Utility](#)
  - [Food Service](#)
    - [Table Tops](#)
    - [Table Bases](#)
    - [Seating](#)
    - [Outdoor Elements](#)
    - [Utility](#)
    - [Game Tables](#)
    - [Lunchroom and Conference](#)
  - [Allied Digital Library](#)
- [Blog](#)
- [About Us](#)
- [Videos](#)
- [Find A Dealer](#)
- [Contact Us](#)



## 1. [Science Tables](#) ▾

2. [Activity Tables ▶](#)
3. [Art Tables](#)
4. [A+ Collaboration Stations](#)

## Delta Desk by Allied Plastics

The perfect solution for 21st century educators.



**[NEW! 2018 Allied Table Colors and Shapes Brochure NEW!](#)**

**[Download Colors and Shapes Brochure](#)**

[Allied 2017 Digital Library](#)

## About Us

Allied Plastics Co., Inc., headquartered in Jacksonville, Florida, manufactures tables, table tops and table legs for the school, office and food service, industries. Since 1945, Allied has served these industries by providing a wide range of top-of-the line, custom-crafted tables backed by superior customer service. Today, we sell our products through a diverse, non-exclusive network of distributors throughout the United States and internationally.

[More about us ▶](#)

## From the Blog

**[Every Teacher Knows](#)**

Teachers know what works for them in their classroom. They use their experience in making the most of class make up, personalities, physical location and space limitations to create an atmosphere that is just right for learning.

[Read full article ▶](#)

## Find An Allied Dealer

To find your Authorized Allied Dealer, please email [FindYourDealer@alliedplasticsco.com](mailto:FindYourDealer@alliedplasticsco.com).



[Allied](#)

© 2019 Allied Plastics Co., Inc. All rights reserved.

Contact us today for dealer a near you at **1-800-999-0386**



Contact Allied Plastics Co. for a dealer near you at 1-800-999-0386

- [Conformity](#)
- • [Order Tracking](#)
- • [FAQ](#)

*Top quality, custom crafted furniture since 1945*

Search By Model



- [Home](#)
- [Furniture](#) ▾
  - [School](#)
    - [Computer](#)
    - [Seating](#)
    - [Activity](#)
    - [Student Desks](#)
    - [Science](#)
    - [Study Carrels](#)
    - [Library](#)
    - [Art](#)
    - [Utility](#)
  - [Office](#)
    - [Game Tables](#)
    - [Seating](#)
    - [Computer](#)
    - [Utility](#)
  - [Food Service](#)
    - [Table Tops](#)
    - [Table Bases](#)
    - [Seating](#)
    - [Outdoor Elements](#)
    - [Utility](#)
    - [Game Tables](#)
    - [Lunchroom and Conference](#)
    - [Allied Digital Library](#)
- [Blog](#)
- [About Us](#)
- [Videos](#)
- [Find A Dealer](#)
- [Contact Us](#)



### School Furniture

Allied Plastics Co., Inc. offers a complete line of tables for a range of school, educational and office uses. Our ready-to-ship inventory includes tables and desks for use in preschools, elementary schools, middle schools and high schools, as well as adult training facilities, colleges and universities. Custom orders area also available.

With a wide color selection, a full range of shapes and sizes and unbeatable options and accessories, you'll find Allied is your one-stop-shop for school table needs. Click on a category for more information on our school and office tables.



**Office Furniture**

Allied Plastics Co., Inc. offers a complete line of tables for a range of school, educational and office uses. Our ready-to-ship inventory includes tables and desks for use in preschools, elementary schools, middle schools and high schools, as well as adult training facilities, colleges and universities. Custom orders area also available.

With a wide color selection, a full range of shapes and sizes and unbeatable options and accessories, you'll find Allied is your one-stop-shop for school table needs. Click on a category for more information on our school and office tables.



### Food Service Furniture

Allied Plastics Co., Inc. offers a complete line of tables for restaurants, cafeterias, food courts and lunchroom environments. We have ready to ship products in the most popular sizes and laminates. Several different substrate materials can be ordered, and we use can provide the full range of Wilsonart, Formica and Pionite laminate offerings. Allied can also provide custom sizes and shapes, as well as custom designed digitally printed tops for that extra-special look.

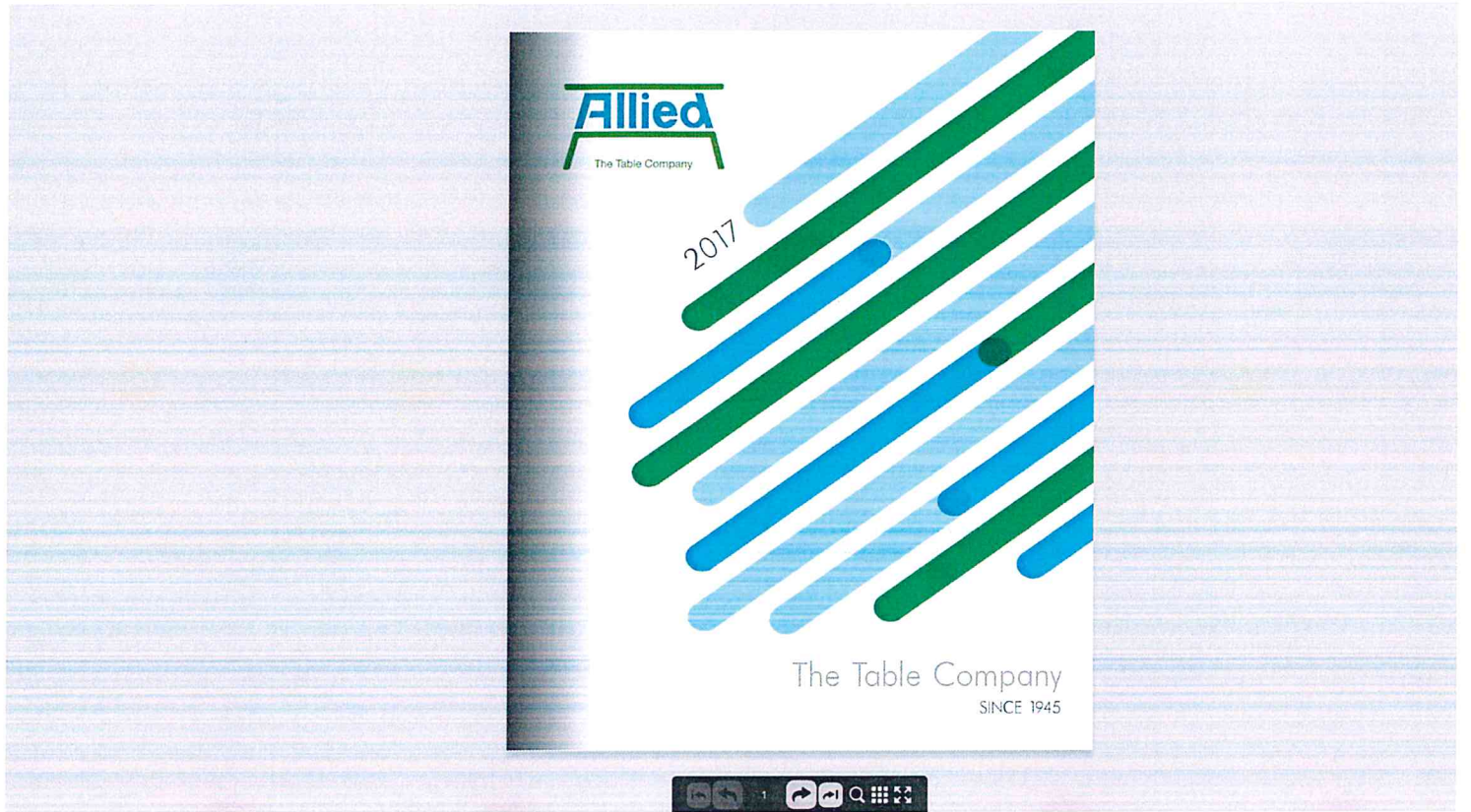
### Allied

© 2019 Allied Plastics Co., Inc. All rights reserved.

Contact us today for dealer a near you at 1-800-999-0386

<https://www.alliedplasticsco.com/furniture/>





## F5 Series – Multi-Purpose Tables

The Allied F5 Series is considered the "Gold Standard" in the industry. Superior materials and workmanship bring you a value packed table that will look great and last for years. These tables are designed to exceed your highest expectations for durability. Ideal in classrooms, meeting rooms, and community rooms.

### FEATURES

**TOPS:**  
1 1/2" thick, 45 lb. density particleboard with premium quality high-pressure stain and scratch resistant laminate. Blanket sheet for balanced construction. Custom laminate colors are available by special quote.

**LEGS:**  
Tapered, heavy duty tubular steel, the F5 Series comes standard with adjustable legs with a range of 20 1/2" to 29 1/2" with nylon base swivel floor glides. Low range legs – 15" - 24 1/2" and ADA compliant high range legs – 26 1/2" - 32 1/2" are also available.

**EDGE:**  
Heavy duty, safety black vinyl. Tackling seal and finish the table top edges.

### SHAPES & SIZES:

F5743G	24 x 36"	Rectangular
F5244B	24 x 38"	Rectangular
F5244A	24 x 40"	Rectangular
F5304B	30 x 48"	Rectangular
F5306G	30 x 60"	Rectangular
F5307Z	30 x 72"	Rectangular
F5309A	36 x 60"	Rectangular
F5309Z	36 x 72"	Rectangular
F5485B	42 x 60"	Rectangular

F5424B	44"	Square
F5424Z	47"	Square
F5484B	48"	Square

F540CR	36"	Circle
F542CR	42"	Circle
F548CR	48"	Circle
F560CR	60"	Circle

F543RH	24 x 48"	Half Round
--------	----------	------------

F548TH	48"	Hexagon
F548CL	48"	Circle
F560FL	60"	Flower
F548OT	48"	Octagon

F524TP	24 x 24 x 46"	Trapezoid
F530TP	30 x 30 x 46"	Trapezoid

F5472K	36 x 72"	Trapezoid
F5472K	48 x 72"	Trapezoid
F5484K	48 x 96"	Trapezoid

F560RH	60 x 60"	Hexagon
--------	----------	---------

### OPTIONS

- Bookbox:**  
Black, Steel 12" x 12" x 4 1/2"
- Grommet:**  
2" Diameter
- Wire Management:**  
Steel Channel, 7" High, 2" x 3"

### TOP COLORS

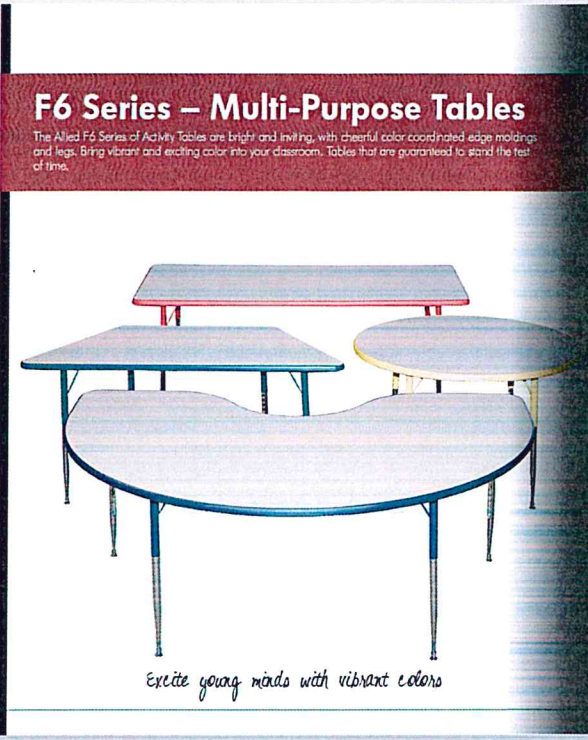
- 
- 
- 
- 
- 
- 
- 
- 
- 
- 
- 

### EDGE COLOR

-

200 WALNUT STREET, JACKSONVILLE, FLORIDA 32206 | WWW.ALLIEDPLASTICSCO.COM





# F6 Series – Multi-Purpose Tables

The Allied F6 Series of Activity Tables are bright and inviting, with cheerful color coordinated edge moldings and legs. Bring vibrant and exciting color into your classroom. Tables that are guaranteed to stand the test of time.

*Excite young minds with vibrant colors*



### FEATURES

#### TOPS:

1 1/2" thick, 45 lb. density particleboard with premium quality high-pressure stain and scratch resistant laminate. Spill-resistant for balanced construction.

#### LEGS:

Tapered, heavy duty tubular steel, the F6 Series comes standard with adjustable legs with a range of 20 1/2" - 29 1/2", with nylon base swivel floor glides. Low range legs - 15" - 24 1/2" and ADA compliant high range legs - 26 1/2" - 35 1/2" are also available. Leg supports and table top Vinyl Trimold are color coordinated.

#### EDGE:

Heavy-duty safety color coordinated vinyl Trimolding finishes all table edges.

### OPTIONS

**Bookbox:**  
Black, Steel 15" x 12" x 4 1/2"

**Grommet:**  
2" Diameter

**Wire Management:**  
Steel Channel, 7" High, 2" x 3"

### SHAPES & SIZES:

F61032	15" x 36"	Rectangular
F61036	15" x 36"	Rectangular
F61036	24" x 36"	Rectangular
F61042	24" x 42"	Rectangular
F62445	24" x 45"	Rectangular
F62465	24" x 60"	Rectangular
F63036	30" x 36"	Rectangular
F63048	30" x 48"	Rectangular
F63060	30" x 60"	Rectangular
F63072	30" x 72"	Rectangular
F63048	36" x 48"	Rectangular
F63072	36" x 72"	Rectangular
F64250	42" x 60"	Rectangular
F63030	30"	Square
F63036	36"	Square
F64242	42"	Square
F64838	48"	Square
F62424	24"	Circle
F62424	24"	Circle
F62424	24"	Circle
F64838	24" x 48"	Half Round
F64838	48"	Octagon
F64838	48"	Heagon
F62424	24" x 24" x 45"	Trapezoid
F62424	30" x 30" x 60"	Hexagon
F63726	36" x 72"	Kidney
F63726	48" x 72"	Kidney
F64242	48" x 72"	Kidney
F65624	24" x 60"	Horseshoe
F64030	40"	Circle
F62424	60"	Circle

### TOP COLORS

- GREY
- NEELA
- FLUSH
- AMBLE

### EDGE COLORS

- RED
- SPARKLE
- BLACK
- BLUE
- TEAL
- YELLOW
- GREEN
- ORANGE
- TEAL
- PURPLE
- BLACK
- MAZE
- FLATFAM





## GB Series – GameBoard Table

The new GB Series of GameBoard™ Tables are being used in recreation centers, guidance offices, lunchrooms, classrooms, libraries and break-rooms – anywhere that quiet relaxation and stimulating mind exercises would be welcome.



### FEATURES

#### TOPS:

45 lb. density 1 1/2" thick particleboard. Custom imprinted decorative stain and scratch resistant high-pressure laminate surfaces, and safety vinyl T-mold edges complete this exceptional table too. Backer sheet for balanced construction.

#### LEGS:

**Center Column Version** - 30" Base Spread  
 Heavy Duty Cast Iron Construction • Adjustable Self Leveling Glides • 2" Diameter Black Steel Column 8 1/2" x 8 1/2" Square 11 Gauge Heavy Duty Top Mounting Plate • Extra Heavy 1/2" Diameter Mounting Securely Welded To The Bottom Of The Column For Easy And Quick Assembly To The Base  
 Standard Height: 29 1/2"  
 33 1/2" Wheelchair Accessible Height (Optional)  
 41" Stand-Up Height (Optional)

**Four Legged Version** L2000K Series Adjustable  
 Black Upper Chrome Lower • 13 Gauge Triangle Plate • 1 1/2" Tubing, 13 Gauge Upper  
 1 1/2" Tubing, 13 Gauge Inset  
 1" Wire Braces • Nylon Swivel Glide  
 L2000K: 20 1/2" • 29 1/2" Standard  
 L2000K: 18" • 24 1/2" Low Range  
 L20HR: 26 1/2" • 35 1/2" High Range  
 Wheelchair Accessible

### SIZES:

MODEL#	SIZE	STYLE
L7000/GB	36" X 60"	Center Column Version
F2000/GB	36" X 60"	4 Legged Version



2001 WALNUT STREET, JACKSONVILLE, FLORIDA 32225 | WWW.ALLIEDPLASTICCO.COM

51



# 8000 Series

Our 8000 Series Utility Table is a staple in many settings due to its inherent design characteristics. Steel frames and strong 1/2" thick particleboard top covered in high pressure laminate insure that these tables live up to their "utility" name.



*Great for classrooms  
and utility rooms*



### FEATURES

#### TOPS:

1 1/2" thick particleboard top, 45 lb. density particleboard with premium quality high pressure stain and scratch resistant laminate. Backers sheet for balanced construction. With black or grey vinyl trimoid edges.

#### LEGS:

Fixed Height 27 1/2"  
1 1/2" Square Steel Legs  
3/4" High, 16 Gauge Formed Steel Apron  
14 Gauge Formed Corner Bracket  
Enamel Finish

### OPTIONS

**Electrical / Ethernet Connections:**  
3 Power Outlets • 2 Ethernet Connection Ports  
Flush Swivel Design Hides When Not In Use  
UL Listed

**Book Bag Hook:**  
Heavy Gauge Steel • Chrome  
For Use On Most Allied Tables

**Grommet Hole:**  
Standard 2" Hole • Plastic Polyurethane Insert  
Custom Grommets And Hole Placement Per  
Your Specifications

### SHAPES & SIZES

800648	35 x 48"	Rectangular
800649	35 x 60"	Rectangular
800672	35 x 72"	Rectangular
800680	24 x 48"	Rectangular
800854	28 x 54"	Rectangular
800920	20 x 46"	Rectangular
800948	24 x 48"	Rectangular
800954	24 x 54"	Rectangular
800960	24 x 60"	Rectangular
800972	24 x 72"	Rectangular
800995	30 x 48"	Rectangular
800990	30 x 60"	Rectangular
800972	30 x 72"	Rectangular
800996	30 x 90"	Rectangular
800972	36 x 72"	Rectangular
800954	36"	Square
800948	48"	Square
800908	36"	Circle
800908	48"	Circle
800908	60"	Circle

### TOP COLORS



### FRAME COLOR



### EDGE COLORS




2001 WALNUT STREET, JACKSONVILLE, FLORIDA 32209 | WWW.ALLIEDPLASTICS.CO



## SC Series Study Carrels

The SC Series of study carrels comes with two legs styles. Choose either T-Pedestal legs or Four Corner Legs. Both have stand alone design which allows for classroom configurations in a myriad of layouts to fit efficiently and neatly in virtually any classroom. Side-by-side in rows, back-to-back in groups, along the wall and stand-alone are just a few common room setups.



*Great for classrooms and testing environments*



### FEATURES

#### TOPS:

1 1/4" thick, 45 lb. density polyfoam with premium quality high pressure stain resistant laminate. T-mold edges for safety and security. Backer sheet for balanced construction.

#### LEGS:

##### SC/L2000 4 Legged Version:

Tapered heavy duty tubular steel, the SC Series comes standard with adjustable legs with a range of 20 1/2" - 29 1/2" with nylon base swivel floor glides. Low range legs - 20" to 24 1/2" and ADA compliant high range legs - 26 1/2" - 28 1/2" are also available.

##### SC/L1005 T-Pedestal Version:

Adjustment Range: 22 1/2" - 30 1/2"  
 Black Upper, Chrome Lower  
 All Rectangular 16 Gauge Tubing  
 Full Width Slatbar Bar  
 Black Enamel Upper Section  
 Chrome Plated Lower Section  
 Adjustable Rubber Cushioned Self-Leveling Glides

### SHAPES & SIZES:

SC/L2000	24" x 36"
SC/L1005	24" x 36"

### TOP COLORS



### EDGE COLOR



2001 WALNUT STREET, JACKSONVILLE, FLORIDA 32206 | WWW.ALLIEDPLASTICSCO.COM

43

