

# SECTION 6 SHELVING

**Multi-function Shelves 6.2**

---

---

**Center Shelves - Adjustable Angle 6.3**

---

---

**Corner Shelves - Laminate with Brackets 6.4**

---

---

**Storage Shelves - High and Low 6.5**

---

---

**HD Shelving 6.6**

---

---

**Roll-out Shelves 6.7**

---

---

**Shelf Dividers 6.8**

---

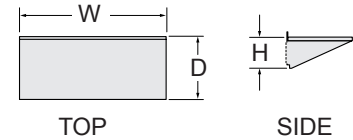
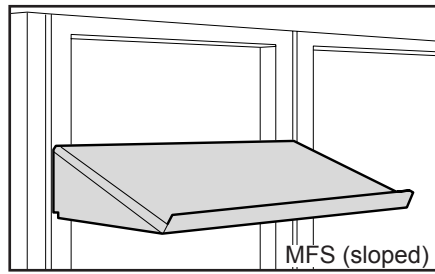
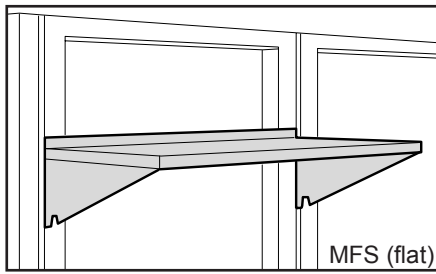
---

**Shelf Add-on Lip 6.9**

---

---

# MULTI-FUNCTION SHELVES



## DESCRIPTION

- Shelves provide general storage in workstations.
- Assemblies each include two steel support brackets and one shelf with a 1/2" raised edge that can be positioned in the front or back. No hardware or tools are needed for assembly.
- Shelves mount flat or in a sloped position.
- Dissipative shelves each include an ESD Cable Kit Assembly for grounding.
- Load capacity 200 lbs. evenly distributed.

## NOTES

- Shelf Depth      Shelf Slope
 

11"	24°
15"	17°
18"	21°
24"	15°
- When mounted on Fabric or Laminate Panels in the flat position, there is a 3/8" gap between the back of each shelf and the Panel limiting the amount of space for cord drops.
- Greenlee Manual Round Knockout Punches can be purchased for field installation of shelf grommets. Contact them at [www.greenlee.textron.com](http://www.greenlee.textron.com) for a distributor near you.
- Shelf Add-on Lip sold separately; see page 6.9.

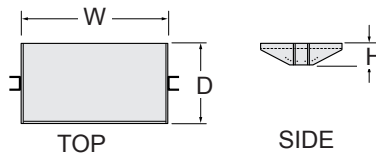
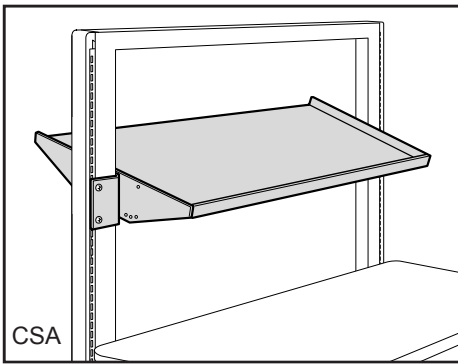
## TO ORDER, SPECIFY:

- 1) Product Number
- 2) Finish Standard or Dissipative
  - Standard Finishes:
    - BK Black
    - BT Black Texture\*
    - GL Grey Light Smooth
    - GT Grey Light Texture\*
    - NW Neutral White
    - ST Sand Texture\*
  - Dissipative Finish:
    - DG Dissipative Grey Light Smooth

\* Paint upcharge applies

## PRODUCT DIMENSIONS

Product Number	Height in. [mm]	Width in. [mm]	Depth in. [mm]	Weight lb. [kg]
MFS1124	5 1/2 [140]	24 [610]	11 1/2 [292]	15 [7]
MFS1130	5 1/2 [140]	30 [762]	11 1/2 [292]	17 [8]
MFS1136	5 1/2 [140]	36 [914]	11 1/2 [292]	19 [9]
MFS1148	5 1/2 [140]	48 [1219]	11 1/2 [292]	21 [10]
MFS1160	5 1/2 [140]	60 [1524]	11 1/2 [292]	25 [11]
MFS1172	5 1/2 [140]	72 [1829]	11 1/2 [292]	30 [14]
MFS1524	5 1/2 [140]	24 [610]	15 [381]	17 [8]
MFS1530	5 1/2 [140]	30 [762]	15 [381]	20 [9]
MFS1536	5 1/2 [140]	36 [914]	15 [381]	23 [10]
MFS1548	5 1/2 [140]	48 [1219]	15 [381]	27 [12]
MFS1560	5 1/2 [140]	60 [1524]	15 [381]	32 [15]
MFS1572	5 1/2 [140]	72 [1829]	15 [381]	37 [17]
MFS1824	7 1/2 [191]	24 [610]	18 1/2 [470]	18 [8]
MFS1830	7 1/2 [191]	30 [762]	18 1/2 [470]	22 [10]
MFS1836	7 1/2 [191]	36 [914]	18 1/2 [470]	24 [11]
MFS1848	7 1/2 [191]	48 [1219]	18 1/2 [470]	28 [13]
MFS1860	7 1/2 [191]	60 [1524]	18 1/2 [470]	35 [16]
MFS1872	7 1/2 [191]	72 [1829]	18 1/2 [470]	41 [29]
MFS2424	7 1/2 [191]	24 [610]	24 [610]	20 [19]
MFS2430	7 1/2 [191]	30 [762]	24 [610]	24 [11]
MFS2436	7 1/2 [191]	36 [914]	24 [610]	28 [13]
MFS2448	7 1/2 [191]	48 [1219]	24 [610]	36 [16]
MFS2460	7 1/2 [191]	60 [1524]	24 [610]	46 [20]



## DESCRIPTION

- Shelves provide general storage in workstations.
- Shelves mount within the openings of Ultra Frames and can be center mounted or offset 4" to the front or back of the frames.
- Assemblies each include two steel support brackets and one shelf with a 1/2" raised edge that can be positioned in the front or back. Positioning of the brackets provides raised edges on the left and right sides when mounted.
- Shelves mount flat or in one of two sloping positions, 8° or 16°. Slopes are set with threaded fasteners.
- Dissipative shelves each include an ESD Cable Kit Assembly for grounding.
- Load capacity 200 lbs. evenly distributed.

### TO ORDER, SPECIFY:

- 1) Product Number
  - 2) Finish Standard or Dissipative
- Standard Finishes:
- BK Black
  - BT Black Texture\*
  - GL Grey Light Smooth
  - GT Grey Light Texture\*
  - NW Neutral White
  - ST Sand Texture\*
- Dissipative Finish:
- DG Dissipative Grey Light Smooth
- \* Paint upcharge applies

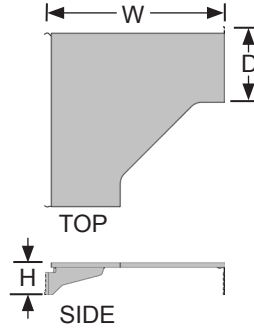
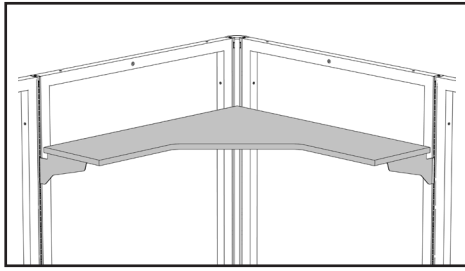
### NOTES

- Center Shelves cannot be mounted on ErgoStat™ Riser Spines.

## PRODUCT DIMENSIONS

Product Number	Height in. [mm]	Width in. [mm]	Depth in. [mm]	Weight lb. [kg]
CSA24	4 <sup>3</sup> / <sub>4</sub> [121]	18 [457]	24 [610]	19 [9]
CSA30	4 <sup>3</sup> / <sub>4</sub> [121]	24 [610]	24 [610]	23 [10]
CSA36	4 <sup>3</sup> / <sub>4</sub> [121]	30 [762]	24 [610]	25 [11]
CSA48	4 <sup>3</sup> / <sub>4</sub> [121]	42 [1067]	24 [610]	30 [14]
CSA60	4 <sup>3</sup> / <sub>4</sub> [121]	54 [1372]	24 [610]	37 [17]

# CORNER SHELVES - LAMINATE WITH BRACKETS



## DESCRIPTION

- Shelves provide general storage in corner workstation configurations.
- The 1" high double-sided laminate shelves include matching vinyl Edge-band.
- Assemblies each include three steel support brackets which are notched to allow for the routing of cables.
- Symbiote dissipative surfaces are manufactured with Nevamar® Static Dissipative Laminates (SDL). Nevamar SDL is manufactured to have a point to point and point to ground resistance of  $1 \times 10^6$  to  $1 \times 10^9$  ohms @ 10-60% relative humidity. Nevamar® Static Dissipative Laminates conform to ESD Association Standard ESD-S4.1.
- Dissipative shelves are manufactured using dissipative laminate on the top side with matching non-dissipative laminate on the underside and each include a Laminate Grounding Terminal Kit.
- Load capacity 200 lbs. evenly distributed.

## NOTES

- To order, specify laminate finish first, support finish second. For example, CSL1548GLGT specifies Grey Light laminate shelf with Grey Light Texture supports.
- Corner Shelves are predrilled for attachment of Universal Cable Trays; see page 9.5.
- 36" and 48" wide shelves are predrilled for Shelf Mount Light Brackets for 32" wide High Performance Task Lights; see page 8.12.
- Other dissipative laminates available upon request; consult factory for ordering information.
- Customers are responsible for specifying ESD surface requirements; corporate ESD standards must be consulted prior to ordering.

## TO ORDER, SPECIFY:

- 1) Product Number
- 2) Laminate Standard or Dissipative

### Standard Laminates:

- GF Grey Fleck
- GL Grey Light
- NW Neutral White
- SA Sand
- SF Sand Fleck
- WF White Fleck
- BK Black

### Dissipative Laminates:

- DG Dissipative Grey Light
- DNW Dissipative Neutral White
- DS Dissipative Sand
- DBK Dissipative Black

- 3) Support Finish Standard or Dissipative

### Standard Finishes:

- BT Black Texture\*
- GL Grey Light Smooth
- GT Grey Light Texture\*
- NW Neutral White
- ST Sand Texture\*

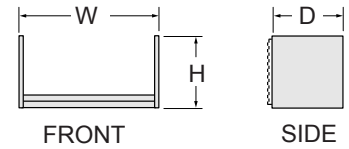
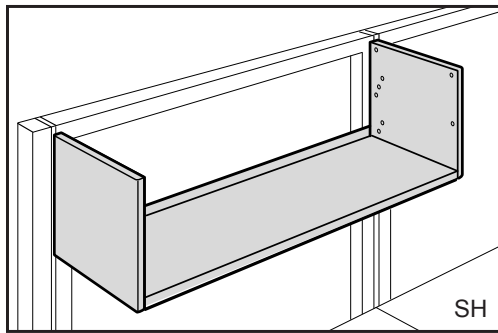
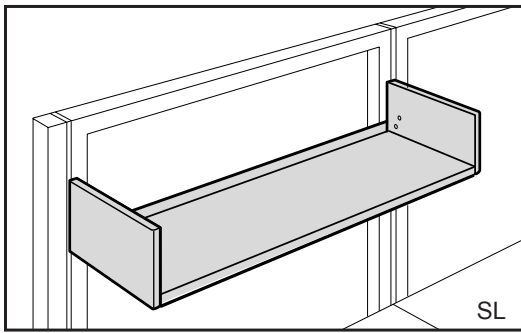
### Dissipative Finish:

- DG Dissipative Grey Light Smooth

\* Paint upcharge applies

## PRODUCT DIMENSIONS

Product Number	Description	Height in. [mm]	Width in. [mm]	Depth in. [mm]	Weight lb. [kg]
CSL1524	standard	6.5 [203]	24 [610]	15 [381]	20 [9]
CSL1530	standard	6.5 [203]	30 [762]	15 [381]	28 [13]
CSL1536	standard	6.5 [203]	36 [914]	15 [381]	41 [19]
CSL1548	standard	6.5 [203]	48 [1219]	15 [381]	70 [32]
CSL1824	standard	6.5 [203]	24 [610]	18½ [470]	22 [10]
CSL1830	standard	6.5 [203]	30 [762]	18½ [470]	30 [14]
CSL1836	standard	6.5 [203]	36 [914]	18½ [470]	43 [20]
CSL1848	standard	6.5 [203]	48 [1219]	18½ [470]	72 [33]
CSD1524	dissipative	6.5 [203]	24 [610]	15 [381]	20 [9]
CSD1530	dissipative	6.5 [203]	30 [762]	15 [381]	28 [13]
CSD1536	dissipative	6.5 [203]	36 [914]	15 [381]	41 [19]
CSD1548	dissipative	6.5 [203]	48 [1219]	15 [381]	70 [32]
CSD1824	dissipative	6.5 [203]	24 [610]	18½ [470]	22 [10]
CSD1830	dissipative	6.5 [203]	30 [762]	18½ [470]	30 [14]
CSD1836	dissipative	6.5 [203]	36 [914]	18½ [470]	43 [20]
CSD1848	dissipative	6.5 [203]	48 [1219]	18½ [470]	72 [33]



## DESCRIPTION

- Shelves provide general storage in workstations.
- Assemblies each include two steel shelf ends and one bottom shelf with a 1/2" raised edge that can be positioned in the front or back.
- Shelves mount flat or in one of two sloping positions, 8° or 16°. Slopes are set with threaded fasteners.
- Dissipative shelves each include an ESD Cable Kit Assembly for grounding.
- Load capacity 200 lbs. evenly distributed.

### TO ORDER, SPECIFY:

- 1) Product Number
- 2) Finish Standard or Dissipative

#### Standard Finishes:

- BK Black
- BT Black Texture\*
- GL Grey Light Smooth
- GT Grey Light Texture\*
- NW Neutral White
- ST Sand Texture\*

#### Dissipative Finish:

- DG Dissipative Grey Light Smooth

\* Paint upcharge applies

### NOTES

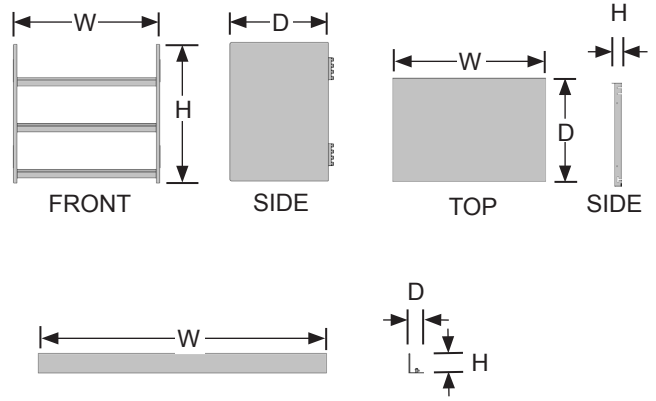
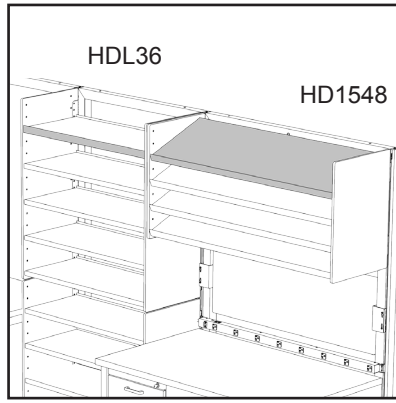
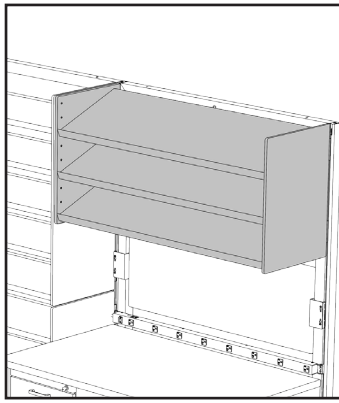
- When mounted on closed Fabric or Laminate Panels in the flat position, there is a 3/8" gap between the back of each shelf and the panel limiting the amount of space for cord drops.

## PRODUCT DIMENSIONS

Product Number		Height in. [mm]	Width in. [mm]	Depth in. [mm]	Weight lb. [kg]
SL1524	low	7 1/2 [191]	24 [610]	15 [381]	19 [9]
SL1530	low	7 1/2 [191]	30 [762]	15 [381]	21 [10]
SL1536	low	7 1/2 [191]	36 [914]	15 [381]	22 [10]
SL1548	low	7 1/2 [191]	48 [1219]	15 [381]	25 [11]
SL1560	low	7 1/2 [191]	60 [1524]	15 [381]	28 [13]
SH1524	high	15 1/2 [394]	24 [610]	15 [381]	26 [12]
SH1530	high	15 1/2 [394]	30 [762]	15 [381]	28 [13]
SH1536	high	15 1/2 [394]	36 [914]	15 [381]	29 [13]
SH1548	high	15 1/2 [394]	48 [1219]	15 [381]	32 [15]
SH1560	high	15 1/2 [394]	60 [1524]	15 [381]	35 [16]

# HIGH DENSITY SHELVES

## SHELVING



### DESCRIPTION

- High density shelves mount on a frame, panel or wall strips.
- Shelves are vertically adjustable in 2 1/2" increments and can be installed in three positions (flat, 11 and 22 degrees).
- Available as a three shelf or five shelf unit.
- Load capacity is 200 lbs. per unit (both three and five shelf units).
- Add-on shelves and front shelf lips also available.

### TO ORDER, SPECIFY:

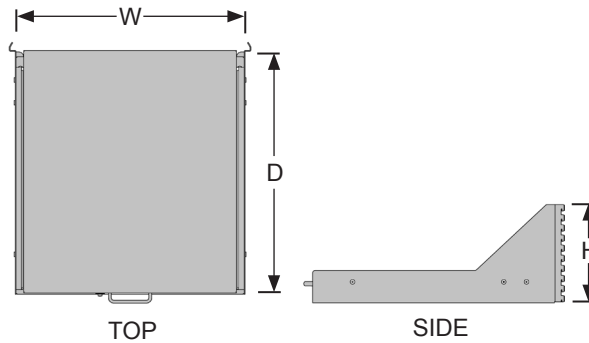
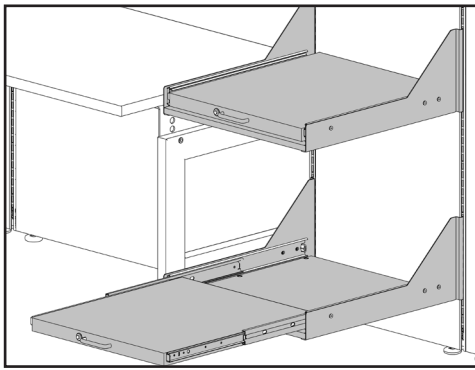
- 1) Product Number
  - 2) Finish
- Standard Finishes:  
 BK Black  
 GL Grey Light Smooth  
 NW Neutral White

### NOTES

- End panels are constructed of MDF board and are powder coated.
- Mounting brackets and shelves are metal and color matched.

### PRODUCT DIMENSIONS

Product Number	Description	Height in. [mm]	Width in. [mm]	Depth in. [mm]	Weight lb. [kg]
HDB1524	shelf, three unit	22 <sup>3</sup> / <sub>4</sub> [578]	24 [610]	16 [406]	37 [17]
HDB1530	shelf, three unit	22 <sup>3</sup> / <sub>4</sub> [578]	30 [762]	16 [406]	42 [19]
HDB1536	shelf, three unit	22 <sup>3</sup> / <sub>4</sub> [578]	36 [914]	16 [406]	48 [22]
HDB1548	shelf, three unit	22 <sup>3</sup> / <sub>4</sub> [578]	48 [1219]	16 [406]	59 [27]
HDB1560	shelf, three unit	22 <sup>3</sup> / <sub>4</sub> [578]	60 [1524]	16 [406]	71 [32]
HDC1524	shelf, five unit	37 <sup>3</sup> / <sub>4</sub> [958]	24 [610]	16 [406]	60 [27]
HDC1530	shelf, five unit	37 <sup>3</sup> / <sub>4</sub> [958]	30 [762]	16 [406]	69 [31]
HDC1536	shelf, five unit	37 <sup>3</sup> / <sub>4</sub> [958]	36 [914]	16 [406]	79 [36]
HDC1548	shelf, five unit	37 <sup>3</sup> / <sub>4</sub> [958]	48 [1219]	16 [406]	98 [44]
HDC1560	shelf, five unit	37 <sup>3</sup> / <sub>4</sub> [958]	60 [1524]	16 [406]	117 [53]
HD1524	add-on shelf	1 [25]	22 <sup>1</sup> / <sub>2</sub> [572]	15 <sup>1</sup> / <sub>4</sub> [387]	8 [4]
HD1530	add-on shelf	1 [25]	28 <sup>1</sup> / <sub>2</sub> [724]	15 <sup>1</sup> / <sub>4</sub> [387]	10 [5]
HD1536	add-on shelf	1 [25]	34 <sup>1</sup> / <sub>2</sub> [876]	15 <sup>1</sup> / <sub>4</sub> [387]	12 [6]
HD1548	add-on shelf	1 [25]	46 <sup>1</sup> / <sub>2</sub> [1181]	15 <sup>1</sup> / <sub>4</sub> [387]	15 [7]
HD1560	add-on shelf	1 [25]	58 <sup>1</sup> / <sub>2</sub> [1486]	15 <sup>1</sup> / <sub>4</sub> [387]	19 [9]
HDL24	lip	1 <sup>1</sup> / <sub>2</sub> [38]	22 <sup>1</sup> / <sub>2</sub> [572]	1 [25]	1 <sup>1</sup> / <sub>2</sub> [1]
HDL30	lip	1 <sup>1</sup> / <sub>2</sub> [38]	28 <sup>1</sup> / <sub>2</sub> [724]	1 [25]	2 [1]
HDL36	lip	1 <sup>1</sup> / <sub>2</sub> [38]	34 <sup>1</sup> / <sub>2</sub> [876]	1 [25]	2 <sup>1</sup> / <sub>2</sub> [1]
HDL48	lip	1 <sup>1</sup> / <sub>2</sub> [38]	46 <sup>1</sup> / <sub>2</sub> [1181]	1 [25]	3 [2]
HDL60	lip	1 <sup>1</sup> / <sub>2</sub> [38]	58 <sup>1</sup> / <sub>2</sub> [1486]	1 [25]	4 [2]



**DESCRIPTION**

- Shelves provide general storage in workstations.
- Shelves roll out for easy access to the backside of the shelf and lock in the closed position using the push-button release adjacent to the handle of the front of the shelf.
- Assemblies each include full-extension ball-bearing slides, two steel support brackets, a stretcher and a shelf with a single handle and push-button release allowing one-handed operation of the shelf lock.
- Shelves extend from the front of the 21<sup>7</sup>/<sub>8</sub>" brackets when fully extended. Handle extends 1<sup>1</sup>/<sub>4</sub>" from the front of the shelf.
- Load capacity 150 lbs. evenly distributed.

**TO ORDER, SPECIFY:**

- 1) Product Number
- 2) Finish Standard or Dissipative

Standard Finishes:

- BK Black
- BT Black Texture\*
- GL Grey Light Smooth
- GT Grey Light Texture\*
- NW Neutral White
- ST Sand Texture\*

Dissipative Finish:

- DG Dissipative Grey Light Smooth

\* Paint upcharge applies

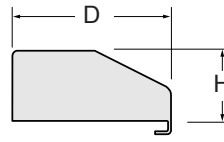
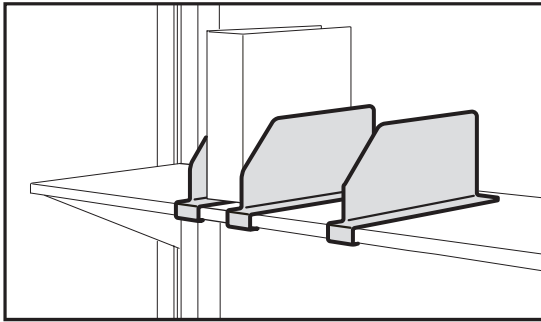
**NOTES**

- Roll-out Shelves cannot be mounted next to C Legs that are attached to the same Ultra Frames; Connector Posts with C Legs or return frames must be used for support.
- No more than one loaded Roll-out Shelf should be extended at the same time.
- Extended C Legs or 30" wide return frames are recommended for use with Roll-out Shelves. Consult factory for design uses.

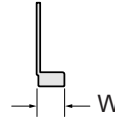
**PRODUCT DIMENSIONS**

Product Number	Description	Height in. [mm]	Width in. [mm]	Depth in. [mm]	Weight lb. [kg]
RSM2424	roll-out shelf	9 <sup>3</sup> / <sub>4</sub> [248]	22 <sup>1</sup> / <sub>2</sub> [572]	24 <sup>1</sup> / <sub>4</sub> [616]	46 [21]
RSM2430	roll-out shelf	9 <sup>3</sup> / <sub>4</sub> [248]	28 <sup>1</sup> / <sub>2</sub> [724]	24 <sup>1</sup> / <sub>4</sub> [616]	53 [24]

# SHELF DIVIDERS



SIDE



FRONT

## DESCRIPTION

- Dividers vertically separate paper, folders, books and binders on shelves.
- Dividers mount to Multi-function, Low Profile, General Purpose, Center and Storage Shelves in the flat position only.
- Scored mounting tabs allow for easy bending to hold Shelf Dividers in place once installed on shelves.
- Dividers are sold in packages of 5.

### TO ORDER, SPECIFY:

- 1) Product Number
  - 2) Finish Standard or Dissipative
- Standard Finishes:
- BK Black
  - BT Black Texture\*
  - GL Grey Light Smooth
  - GT Grey Light Texture\*
  - NW Neutral White
  - ST Sand Texture\*
- Dissipative Finish:
- DG Dissipative Grey Light Smooth

\* Paint upcharge applies

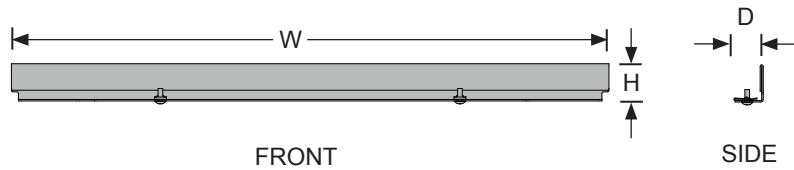
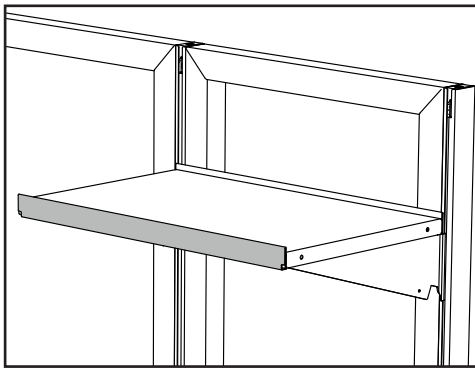
### NOTES

- Shelf Dividers will not mount on Corner, Wire, Roll-out Shelves or Storage Cabinets.

## PRODUCT DIMENSIONS

Product Number	Height in. [mm]	Width in. [mm]	Depth in. [mm]	Weight lb. [kg]
SDV511	5½ [140]	1¾ [45]	11 [279]	6 [3]





**DESCRIPTION**

- Shelf add-on lip mounts to the front of Multi-Function Shelves.
- One-piece steel assembly provides a lip to secure contents.

**TO ORDER, SPECIFY:**

- 1) Product Number
- 2) Finish Standard or Dissipative

Standard Finishes:

- BK Black
- BT Black Texture\*
- GL Grey Light Smooth
- GT Grey Light Texture\*
- NW Neutral White
- ST Sand Texture\*

Dissipative Finish:

- DG Dissipative Grey Light Smooth

\* Paint upcharge applies

**NOTES**

- Multi-Function Shelf sold separately; see page 6.2.

**PRODUCT DIMENSIONS**

Product Number	Height in. [mm]	Width in. [mm]	Depth in. [mm]	Weight lb. [kg]
MFSL24	1½ [38]	24 [610]	1⅞ [29]	2 [1]
MFSL30	1½ [38]	30 [762]	1⅞ [29]	2 [1]
MFSL36	1½ [38]	36 [914]	1⅞ [29]	3 [1]
MFSL48	1½ [38]	48 [1219]	1⅞ [29]	3 [1]
MFSL60	1½ [38]	60 [1524]	1⅞ [29]	4 [2]
MFSL72	1½ [38]	72 [1829]	1⅞ [29]	5 [2]