

SECTION 12

# MATERIAL HANDLING

**Bin and Bin Rails - Frame & Arm Mount 12.2**

---

**Dispensing Rails 12.3**

---

**Subcontainers & Subdividers 12.4**

---

**Totes 12.5**

---

**Tote Bearers and Rails 12.6**

---

**Tote Holders 12.7**

---

**Mobile Tote Frames 12.8**

---

**Mobile Carts 12.9**

---

**Mobile Cart Handles & End Covers 12.10**

---

**Mobile Cart Bases 12.11**

---

**Spool Holders & Spindles 12.12**

---

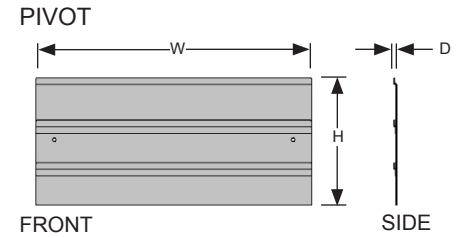
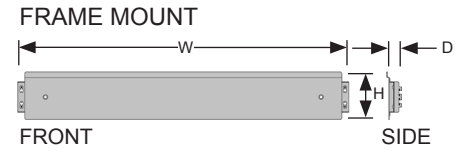
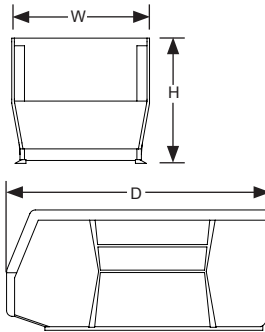
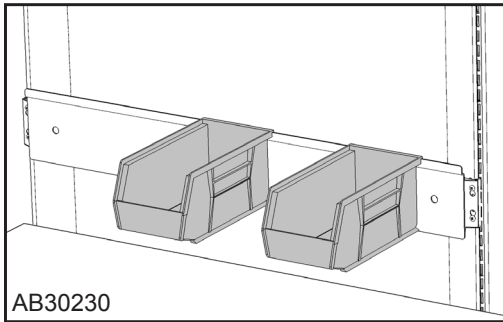
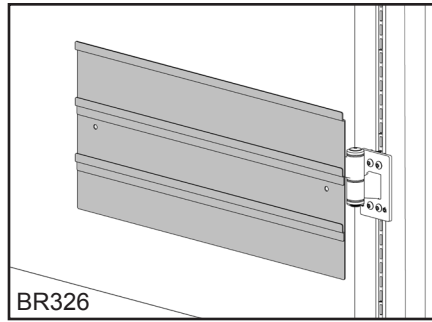
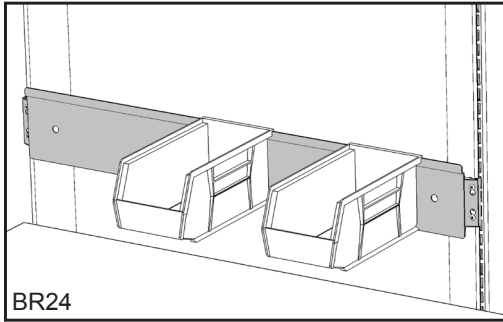
**Holdings 12.13**

---

**Overhead Tool Travelers 12.14**

---

# BIN AND BIN RAILS - FRAME & ARM MOUNT



## DESCRIPTION

### Bin Rails, Frame Mount

- Rails provide hanging support for generic parts bins.
- Rails mount to frames and adjust vertically in 1" increments.
- Load capacity 40 lbs. evenly distributed.

### Bin Rail, Pivoting Arm Mount

- Rails provide articulating support for up to 3 rows of generic parts bins.
- Rails attach to Flat Screen / Accessory Arms.
- Load capacity 12 lbs. evenly distributed.

### Bin

- Bins provide storage and organization of small items.
- Made from a heavy-duty industrial grade polymer, Bins hang from Bin Rails or stack together.
- Load capacity is 30 lbs.
- Sold in packages of 5; available in blue (BL) or clear (CL).

### TO ORDER, SPECIFY:

- 1) Product Number
- 2) Finish Standard or Dissipative

Standard Finishes:

- BK Black
- BT Black Texture\*
- GL Grey Light Smooth
- GT Grey Light Texture\*
- NW Neutral White
- ST Sand Texture\*

Dissipative Finish:

- DG Dissipative Grey Light Smooth

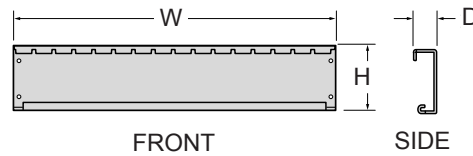
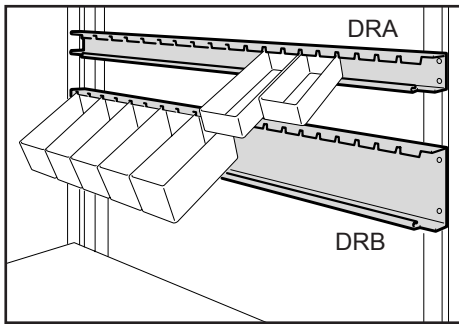
\* Paint upcharge applies

### NOTES:

- Dissipative Bin Rails each include an ESD Cable Kit Assembly for grounding.
- Flat Screen/Accessory Arms sold separately; see pages 11.6-11.8.

## PRODUCT DIMENSIONS

Product Number	Description	Height in. [mm]	Width in. [mm]	Depth in. [mm]	Weight lb. [kg]
BR24	frame mount	5 <sup>1</sup> / <sub>4</sub> [133]	24 [610]	<sup>3</sup> / <sub>4</sub> [19]	5 [2]
BR30	frame mount	5 <sup>1</sup> / <sub>4</sub> [133]	30 [762]	<sup>3</sup> / <sub>4</sub> [19]	6 [3]
BR36	frame mount	5 <sup>1</sup> / <sub>4</sub> [133]	36 [914]	<sup>3</sup> / <sub>4</sub> [19]	8 [4]
BR48	frame mount	5 <sup>1</sup> / <sub>4</sub> [133]	48 [1219]	<sup>3</sup> / <sub>4</sub> [19]	9 [4]
BR60	frame mount	5 <sup>1</sup> / <sub>4</sub> [133]	60 [1524]	<sup>3</sup> / <sub>4</sub> [19]	11 [5]
BR72	frame mount	5 <sup>1</sup> / <sub>4</sub> [133]	72 [1829]	<sup>3</sup> / <sub>4</sub> [19]	14 [6]
BR326	arm mount	12 [305]	26 [660]	<sup>1</sup> / <sub>2</sub> [13]	8 [4]
AB30230BL	bin	5 [128]	5 <sup>1</sup> / <sub>2</sub> [140]	10 <sup>7</sup> / <sub>8</sub> [277]	<sup>1</sup> / <sub>2</sub> [.2]
AB30230CL	bin	5 [128]	5 <sup>1</sup> / <sub>2</sub> [140]	10 <sup>7</sup> / <sub>8</sub> [277]	<sup>1</sup> / <sub>2</sub> [.2]



## DESCRIPTION

- Dispensing Rails provide hanging support for Symbiote Subcontainers.
- Subcontainers hang at a 20° slope when mounted on Dispensing Rails.
- A-size Subcontainers hang on A-size Dispensing Rails and B size Subcontainers hang on B-size rails.
- Dissipative Dispensing Rails each include an ESD Cable Kit Assembly for grounding.
- Load capacity 50 lbs. evenly distributed.

### TO ORDER, SPECIFY:

- 1) Product Number
- 2) Finish Standard or Dissipative

#### Standard Finishes:

- BK Black
- BT Black Texture\*
- GL Grey Light Smooth
- GT Grey Light Texture\*
- NW Neutral White
- ST Sand Texture\*

#### Dissipative Finish:

- DG Dissipative Grey Light Smooth

\* Paint upcharge applies

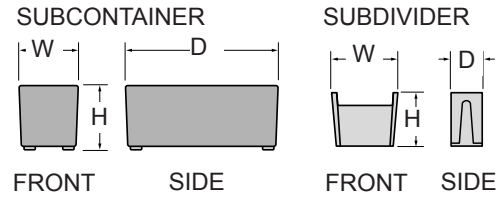
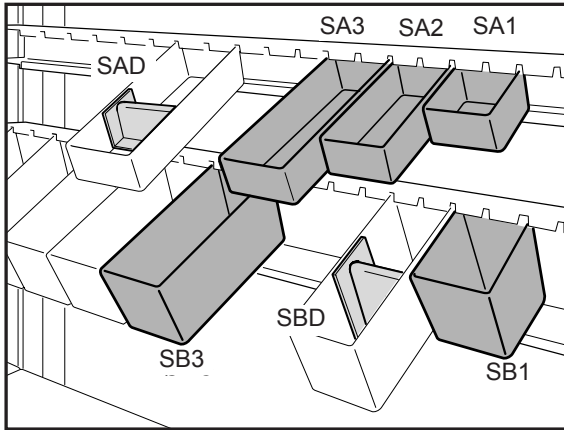
### NOTES:

- Subcontainers sold separately; see page 12.4.
- Description below denotes quantity of Subcontainers possible per Dispensing Rail.

## PRODUCT DIMENSIONS

Product Number	Description	Height in. [mm]	Width in. [mm]	Depth in. [mm]	Weight lb. [kg]
DRA24	A-size, 5 subcontainers	3 1/4 [83]	24 [610]	1 1/4 [32]	5 [2]
DRA30	A-size, 6 subcontainers	3 1/4 [83]	30 [762]	1 1/4 [32]	6 [3]
DRA36	A-size, 7 subcontainers	3 1/4 [83]	36 [914]	1 1/4 [32]	8 [4]
DRA48	A-size, 10 subcontainers	3 1/4 [83]	48 [1219]	1 1/4 [32]	10 [5]
DRA60	A-size, 12 subcontainers	3 1/4 [83]	60 [1524]	1 1/4 [32]	13 [6]
DRB24	B-size, 5 subcontainers	6 [152]	24 [610]	2 1/4 [57]	6 [3]
DRB30	B-size, 6 subcontainers	6 [152]	30 [762]	2 1/4 [57]	8 [4]
DRB36	B-size, 7 subcontainers	6 [152]	36 [914]	2 1/4 [57]	9 [4]
DRB48	B-size, 10 subcontainers	6 [152]	48 [1219]	2 1/4 [57]	12 [14]
DRB60	B-size, 12 subcontainers	6 [152]	60 [1524]	2 1/4 [57]	15 [7]

# SUBCONTAINERS & SUBDIVIDERS



## DESCRIPTION

### Subcontainers

- Subcontainers provide storage and organization of small items.
- Subcontainers hang from Dispensing Rails at a 20° slope or lay flat in Totes and Plan Drawers for organization.
- A-size Subcontainers are used with A-size Dispensing Rails, A-size Totes and Plan Drawers.
- B-size Subcontainers are used with B size Dispensing Rails and B-size Totes.
- Sold individually.

### Subdividers

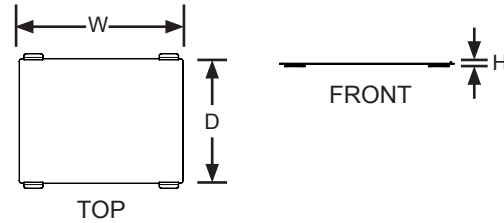
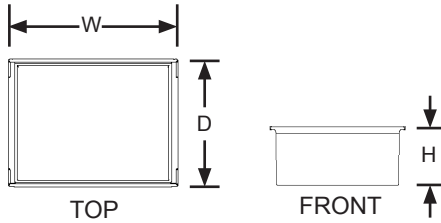
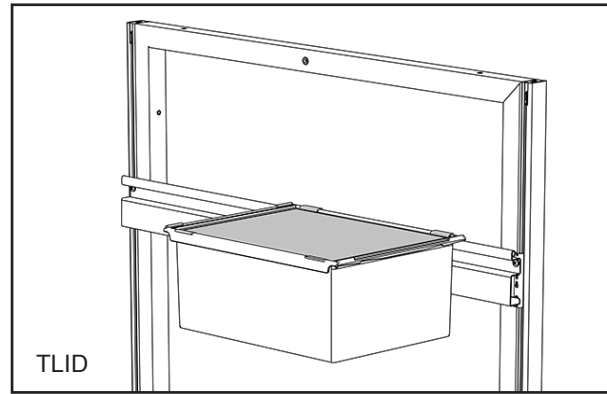
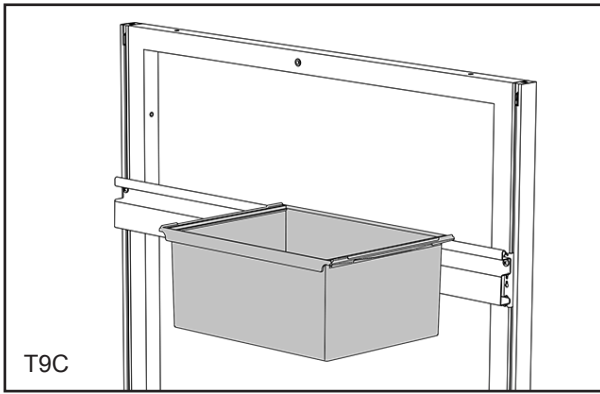
- Subdividers divide Subcontainers laterally.
- A-size Subdividers are used with A-size Subcontainers and B-size Subdividers are used with B-size Subcontainers.
- Sold in 10 unit packs.

### TO ORDER TOTE RAIL, SPECIFY:

- 1) Product Number
  - 2) Finish
- Standard Finishes:  
 GY Grey  
 LU Neutral White

## PRODUCT DIMENSIONS

Product Number	Description	Height in. [mm]	Width in. [mm]	Depth in. [mm]	Weight lb. [kg]
SA1	subcontainer A	2 <sup>1</sup> / <sub>4</sub> [57]	4 <sup>1</sup> / <sub>2</sub> [114]	4 <sup>1</sup> / <sub>2</sub> [114]	1/4 [.1]
SA2	subcontainer A	2 <sup>1</sup> / <sub>4</sub> [57]	4 <sup>1</sup> / <sub>2</sub> [114]	9 <sup>1</sup> / <sub>4</sub> [235]	1/4 [.1]
SA3	subcontainer A	2 <sup>1</sup> / <sub>4</sub> [57]	4 <sup>1</sup> / <sub>2</sub> [114]	13 <sup>3</sup> / <sub>4</sub> [349]	1/2 [.2]
SB1	subcontainer B	5 <sup>1</sup> / <sub>4</sub> [133]	4 <sup>1</sup> / <sub>2</sub> [114]	4 <sup>1</sup> / <sub>2</sub> [114]	1/2 [.2]
SB3	subcontainer B	5 <sup>1</sup> / <sub>4</sub> [133]	4 <sup>1</sup> / <sub>2</sub> [114]	13 <sup>3</sup> / <sub>4</sub> [349]	3/4 [.3]
SAD	subdivider A, 10 pack	1 <sup>3</sup> / <sub>4</sub> [44]	4 <sup>1</sup> / <sub>4</sub> [114]	2 [51]	1 [.5]
SBD	subdivider B, 10 pack	4 [102]	4 <sup>1</sup> / <sub>4</sub> [114]	2 [51]	1 [.5]



**DESCRIPTION**

- Totes provide storage and a means of transportation for materials in workstations.
- Totes hang from Tote Rails, mount beneath surfaces as drawers using Tote Bearers or slide into Tote Holders and Mobile Tote Frames for use as drawers.
- Load capacity 50 lbs. when used with Tote Rails and 25 lbs. when used with Tote Bearers, Tote Holders and Mobile Tote Frames.
- Tote finish is Ice.

**TO ORDER SPECIFY:**

- 1) Product Number

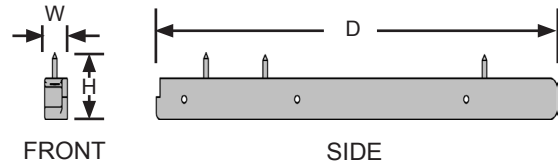
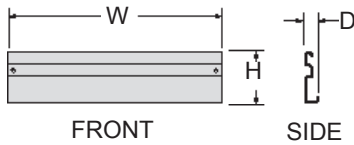
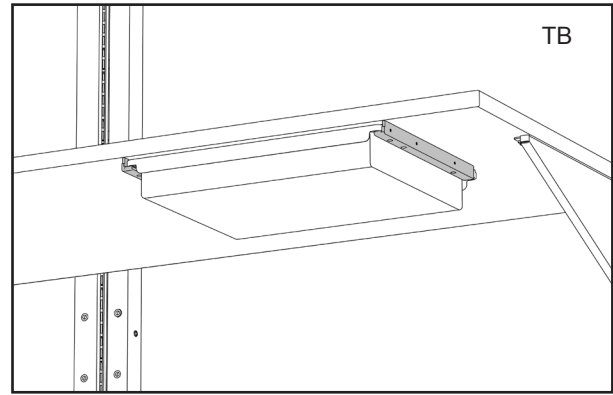
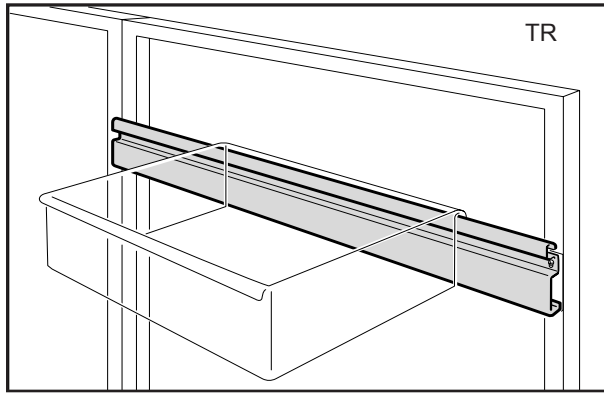
**NOTES:**

- Tote Rails, Tote Bearers, Tote Holders and Mobile Tote Frames sold separately; see pages 12.6, 12.7 and 12.8.

**PRODUCT DIMENSIONS**

Product Number	Description	Height in. [mm]	Width in. [mm]	Depth in. [mm]	Weight lb. [kg]
T3ACE	A Tote	3 [76]	20 <sup>5</sup> / <sub>8</sub> [524]	15 <sup>1</sup> / <sub>2</sub> [394]	3 [2]
T6BCE	B Tote	6 [152]	20 <sup>5</sup> / <sub>8</sub> [524]	15 <sup>1</sup> / <sub>2</sub> [394]	4 [2]
T9CCE	C Tote	9 [229]	20 <sup>5</sup> / <sub>8</sub> [524]	15 <sup>1</sup> / <sub>2</sub> [394]	5 [2]
T12DCE	D Tote	12 [305]	20 <sup>5</sup> / <sub>8</sub> [524]	15 <sup>1</sup> / <sub>2</sub> [394]	6 [3]
TLIDCE	Tote Lid	1 <sup>1</sup> / <sub>2</sub> [37]	18 <sup>7</sup> / <sub>8</sub> [478]	14 <sup>3</sup> / <sub>8</sub> [364]	1 [1]

# TOTE RAILS & BEARERS



## DESCRIPTION

### Tote Rails

- Tote Rails provide hanging support for Symbiote Totes and Co/Struc® products.
- Load capacity 200 lbs. evenly distributed.

### Tote Bearers

- Tote Bearers are compatible with Symbiote Totes and Co/Struc products.
- Bearers include an integral stop to prevent Totes from extending out of the track.
- Sold as a pair.
- Plastic finish is Dark Tone.

### TO ORDER TOTE RAIL, SPECIFY:

- 1) Product Number
- 2) Finish Standard or Dissipative

Standard Finishes:

- BK Black
- BT Black Texture\*
- GL Grey Light Smooth
- GT Grey Light Texture\*
- NW Neutral White
- ST Sand Texture\*

\* Paint upcharge applies

### TO ORDER TOTE BEARER, SPECIFY:

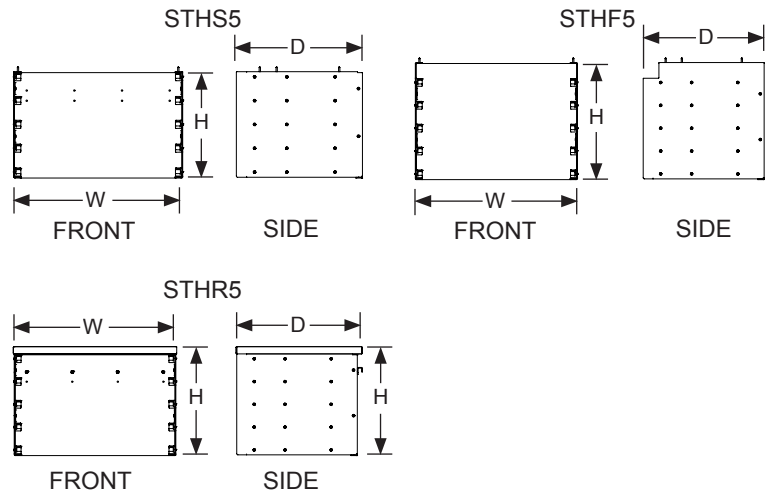
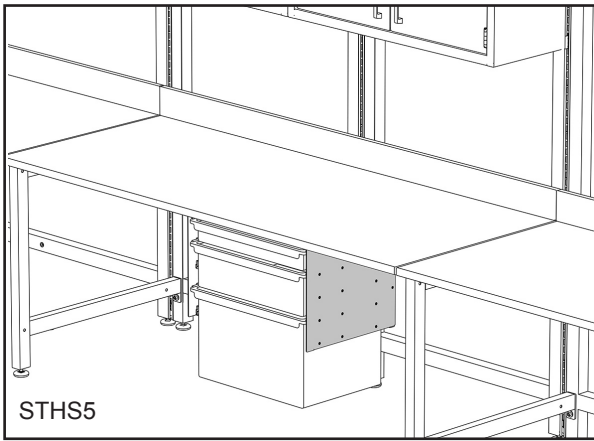
- 1) Product Number

### NOTES:

- Symbiote Totes sold separately; see page 12.5.
- Tote Drawers are available. Contact Symbiote customer service for pricing and availability.

## PRODUCT DIMENSIONS

Product Number	Description	Height in. [mm]	Width in. [mm]	Depth in. [mm]	Weight lb. [kg]
TR24	rail	4 <sup>3</sup> / <sub>4</sub> [121]	24 [610]	1 <sup>1</sup> / <sub>4</sub> [32]	6 [3]
TR30	rail	4 <sup>3</sup> / <sub>4</sub> [121]	30 [762]	1 <sup>1</sup> / <sub>4</sub> [32]	8 [4]
TR36	rail	4 <sup>3</sup> / <sub>4</sub> [121]	36 [914]	1 <sup>1</sup> / <sub>4</sub> [32]	10 [4]
TR48	rail	4 <sup>3</sup> / <sub>4</sub> [121]	48 [1219]	1 <sup>1</sup> / <sub>4</sub> [32]	12 [5]
TR60	rail	4 <sup>3</sup> / <sub>4</sub> [121]	60 [1524]	1 <sup>1</sup> / <sub>4</sub> [32]	15 [7]
TBDT	tote bearer, pair	3 <sup>3</sup> / <sub>4</sub> [19]	1 [25]	14 <sup>1</sup> / <sub>4</sub> [362]	1 [.5]



## DESCRIPTION

- Tote Holders provide storage for Symbiote Totes below a surface, 4-Legged Table or hanging on a Tote Rail.
- Steel units include five slots in 3" intervals for Tote storage. The rail-mount version also includes a 1" high standard laminate top with matching vinyl edge-band.
- Load capacity 125 lbs. total with a maximum capacity of 25 lbs. per Tote.

### TO ORDER, SPECIFY:

- 1) Product Number
- 2) Finish Standard or Dissipative

Standard Finishes:

- BK Black
- BT Black Texture\*
- GL Grey Light Smooth
- GT Grey Light Texture\*
- NW Neutral White
- ST Sand Texture\*

\* Paint upcharge applies

- 3) Laminate Standard or Dissipative

Standard Laminates:

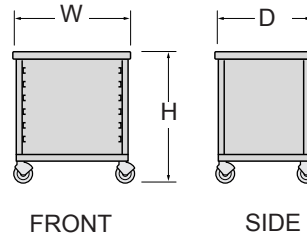
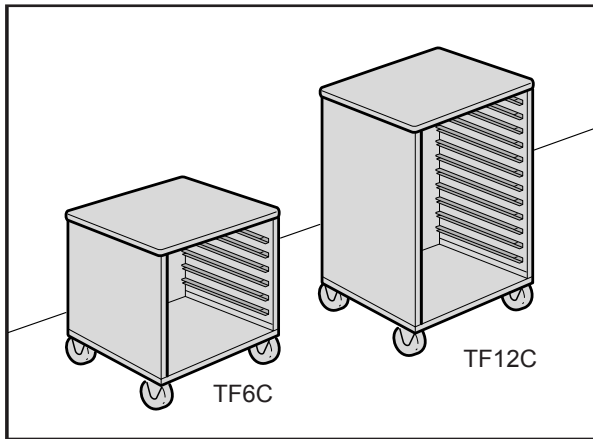
- GL Grey Light
- GF Grey Fleck
- NW Neutral White
- WF White Fleck
- SA Sand
- SF Sand Fleck
- BK Black

### NOTES:

- Rail-mount Tote Holder requires two Tote Rails mounted vertically sold separately; see page 12.6.
- Order Totes separately; see page 12.5.

## PRODUCT DIMENSIONS

Product Number	Description	Height in. [mm]	Width in. [mm]	Depth in. [mm]	Weight lb. [kg]
STHS5	surface-mount	13 <sup>3</sup> / <sub>8</sub> [340]	21 <sup>1</sup> / <sub>4</sub> [541]	15 <sup>7</sup> / <sub>8</sub> [403]	25 [11]
STHR5	rail-mount	14 <sup>3</sup> / <sub>8</sub> [364]	21 <sup>1</sup> / <sub>2</sub> [547]	16 <sup>3</sup> / <sub>4</sub> [423]	38 [17]
STHF5	4-Legged Table mount	15 <sup>3</sup> / <sub>8</sub> [390]	21 <sup>1</sup> / <sub>4</sub> [541]	15 <sup>7</sup> / <sub>8</sub> [403]	27 [12]



## DESCRIPTION

- Tote Frames provide mobile storage for Symbiote Totes.
- Steel units each include a 1" high standard or dissipative laminate top with matching vinyl Edge-band, four 3" twin-wheel braking casters and Tote slots.
- Slots are at 3" intervals. Six-slot Tote Frames provide 18" of useable height while eight slot-frames provide 24", and twelve slot frames provide 36".
- Symbiote dissipative surfaces are manufactured with Nevamar® Static Dissipative Laminates (SDL). Nevamar SDL is manufactured to have a point to point and point to ground resistance of  $1 \times 10^6$  to  $1 \times 10^9$  ohms @ 10-60% relative humidity. Nevamar Static Dissipative Laminates conform to ESD Association Standard ESD-S4.1.
- Dissipative units each include a Laminate Grounding Terminal Kit and Ground Chain.
- Load capacity 250 lbs. per unit with a maximum capacity of 25 lbs. per individual Tote.

### NOTES:

- To order, specify paint finish first and laminate finish second, i.e. TF8CGLGF has Grey Light paint and Grey Fleck laminate. If either paint or laminate is dissipative, use the dissipative price.
- Other dissipative laminates available upon request; consult factory for ordering information.
- Customers are responsible for specifying ESD surface requirements; corporate ESD standards must be consulted prior to ordering.
- Tote drawers are available. Contact Symbiote customer service for pricing and availability.

### TO ORDER, SPECIFY:

- 1) Product Number
- 2) Finish Standard or Dissipative  
Standard Finishes:  
BK Black  
BT Black Texture\*  
GL Grey Light Smooth  
GT Grey Light Texture\*  
NW Neutral White  
ST Sand Texture\*  
Dissipative Finish:  
DG Dissipative Grey Light Smooth

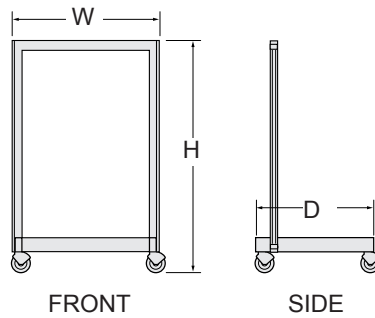
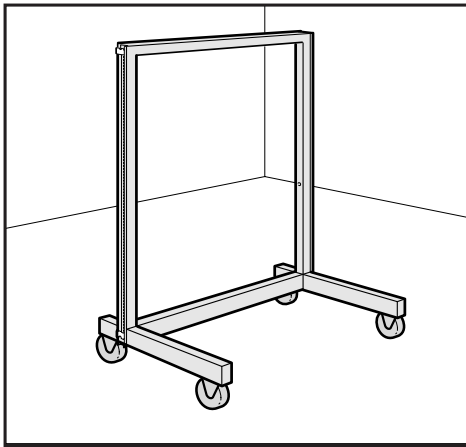
\* Paint upcharge applies

- 3) Laminate Standard or Dissipative  
Standard Laminates:  
GL Grey Light  
GF Grey Fleck  
NW Neutral White  
WF White Fleck  
SA Sand  
SF Sand Fleck  
BK Black  
Dissipative Laminates:  
DG Dissipative Grey Light  
DNW Dissipative Neutral White  
DS Dissipative Sand  
DBK Dissipative Black

## PRODUCT DIMENSIONS

Product Number	Description	Height in. [mm]	Width in. [mm]	Depth in. [mm]	Weight lb. [kg]
TF6C	6-slot	23½ [597]	22½ [527]	16½ [419]	36 [16]
TF8C	8-slot	29½ [749]	22½ [527]	16½ [419]	56 [25]
TF12C	12-slot	41½ [1054]	22½ [527]	16½ [419]	77 [35]





## DESCRIPTION

- Mobile Carts function as single-sided mobile workstations, assembly process carts or rack carts.
- 2" steel frames provide structural support for and permit vertical adjustment of components in 1" increments. 52" high carts provide 43" of useable hanger track while 66" high carts provide 57". Carts are equipped with connection points for end mounting of Flat Screen/Accessory Arms as well as attachment points for ESD grounding hardware.
- Assemblies each include 4" diameter polypropylene casters with totalock brakes (simultaneously locks the swivel and wheel).
- Dissipative carts each include a Ground Chain.
- Load capacity 500 lbs. evenly distributed.

## TO ORDER, SPECIFY:

- 1) Product Number
- 2) Finish Standard or Dissipative

### Standard Finishes:

- BK Black
- BT Black Texture\*
- GL Grey Light Smooth
- GT Grey Light Texture\*
- NW Neutral White
- ST Sand Texture\*

### Dissipative Finish:

- DG Dissipative Grey Light Smooth

\* Paint upcharge applies

## NOTES:

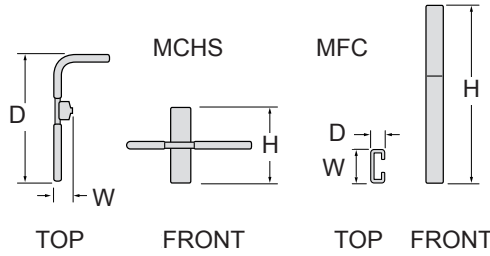
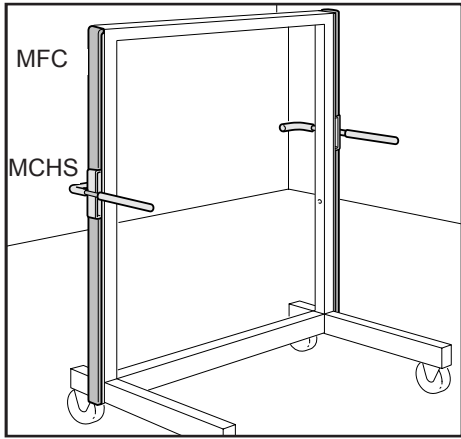
- Components over 24" deep must not be mounted on Mobile Carts.
- Components can only be mounted on the front side of Mobile Carts; plastic tubing inserted in the back side prevents mounting of components.
- Optional Mobile Cart Handles and End Covers to finish exposed hardware can be ordered separately; see page 12.10.

## PRODUCT DIMENSIONS

Product Number	Height in. [mm]	Width in. [mm]	Depth in. [mm]	Weight lb. [kg]
MCS5224	52 [1321]	24 [610]	29½ [749]	60 [27]
MCS5230	52 [1321]	30 [762]	29½ [749]	64 [29]
MCS6624	66 [1676]	24 [610]	29½ [749]	67 [30]
MCS6630	66 [1676]	30 [762]	29½ [749]	71 [32]

# MOBILE CART HANDLES & END COVERS

MATERIAL HANDLING



## DESCRIPTION

### Mobile Cart Handles

- Handles bolt to the ends of Mobile Carts and are composed of 1" diameter steel tubing covered with black foam grip.
- Handles mount in one vertical position only when used in conjunction with Mobile Cart End Covers. Handles are adjustable in 6" increments when not used with other components.
- Sold in pairs.
- Finish is Black Texture.

### Mobile Cart End Covers

- Metal covers finish exposed hardware on the ends of Mobile Carts when Mobile Cart Handles are used.
- Assemblies each include four metal covers to finish the exposed hardware above and below the handles on each side of the cart, as well as attachment hardware.
- Finish must be specified.

### TO ORDER, SPECIFY:

- 1) Product Number
- 2) Finish Standard or Dissipative

Standard Finishes:

- BK Black
- BT Black Texture\*
- GL Grey Light Smooth
- GT Grey Light Texture\*
- NW Neutral White
- ST Sand Texture\*

Dissipative Finish:

- DG Dissipative Grey Light Smooth

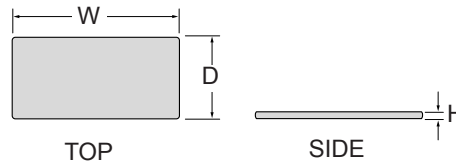
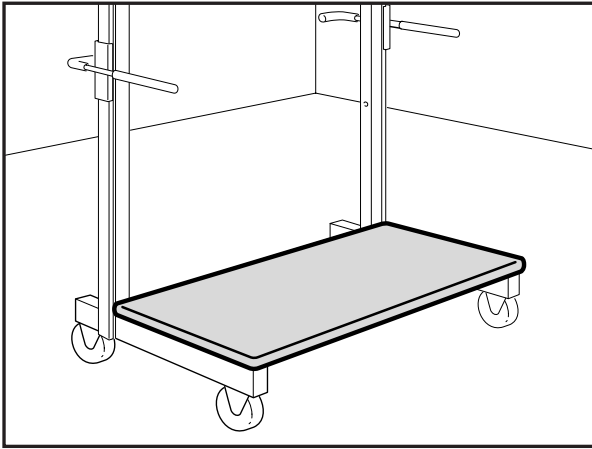
\* Paint upcharge applies

### NOTES:

- To finish exposed hardware on the ends of Mobile Carts when handles are not used, Panel End Covers must be used. 52" high carts require two EC48 and 66" high carts require two EC62. Order separately; see page 2.12.

## PRODUCT DIMENSIONS

Product Number	Description	Height in. [mm]	Width in. [mm]	Depth in. [mm]	Weight lb. [kg]
MCHSBT	handle, pair	7 [178]	2½ [64]	16 [406]	6 [3]
MFC52	end cover, pair with handle cutouts	40 [1061]	2 [51]	½ [13]	2 [1]
MFC66	end cover, pair with handle cutouts	54 [1372]	2 [51]	½ [13]	3 [1]
EC48	end cover	48 [1219]	2 [51]	½ [13]	3 [1]
EC62	end cover	62 [1575]	2 [51]	½ [13]	4 [2]



## DESCRIPTION

- 1 1/4" high laminate bases attach to Mobile Cart feet with hook and loop strips.
- Bases have square corners with matching edge banding.
- Symbiote dissipative surfaces are manufactured with Nevamar® Static Dissipative Laminates (SDL). Nevamar SDL is manufactured to have a point to point and point to ground resistance of  $1 \times 10^6$  to  $1 \times 10^9$  ohms @10-60% relative humidity. Nevamar Static Dissipative Laminates conform to ESD Association Standard ESD-S4.1.
- Dissipative surfaces each include a Laminate Grounding Terminal Kit.
- Load capacity 200 lbs. evenly distributed.

## TO ORDER, SPECIFY:

- 1) Product Number
- 2) Laminate Standard or Dissipative

### Standard Laminates:

- GL Grey Light
- GF Grey Fleck
- NW Neutral White
- WF White Fleck
- SA Sand
- SF Sand Fleck
- BK Black

### Dissipative Laminates:

- DG Dissipative Grey Light
- DNW Dissipative Neutral White
- DS Dissipative Sand
- DBK Dissipative Black

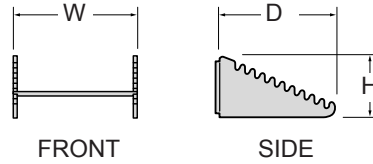
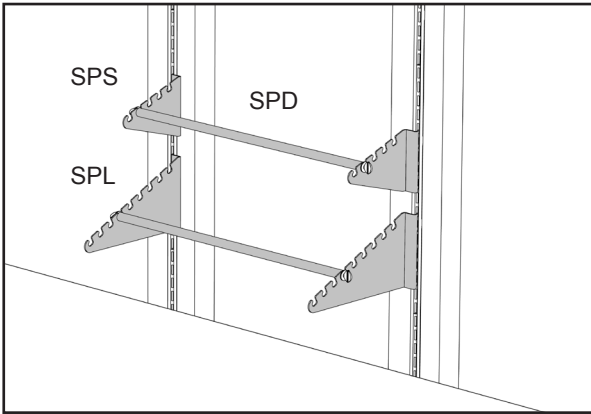
## NOTES:

- Mobile Carts sold separately; see page 12.9.
- Other dissipative laminates available upon request; consult factory for ordering information.
- Customers are responsible for specifying ESD surface requirements; corporate ESD standards must be consulted prior to ordering.

## PRODUCT DIMENSIONS

Product Number	Description	Height in. [mm]	Width in. [mm]	Depth in. [mm]	Weight lb. [kg]
MFBLT24	standard	1 1/4 [32]	24 [610]	24 [610]	20 [9]
MFBLT30	standard	1 1/4 [32]	30 [762]	24 [610]	24 [11]
MFBDT24	dissipative	1 1/4 [32]	24 [610]	24 [610]	20 [9]
MFBDT30	dissipative	1 1/4 [32]	30 [762]	24 [610]	24 [11]

# SPOOL HOLDERS & SPINDLES



## DESCRIPTION

- Spool Holders display spooled material such as labels, wires and cables in workstations.
- Assemblies each include one  $\frac{5}{8}$ " diameter spindle and two brackets.
- Load capacity 100 lbs. evenly distributed.
- Bracket finish is Black Texture.

## TO ORDER, SPECIFY:

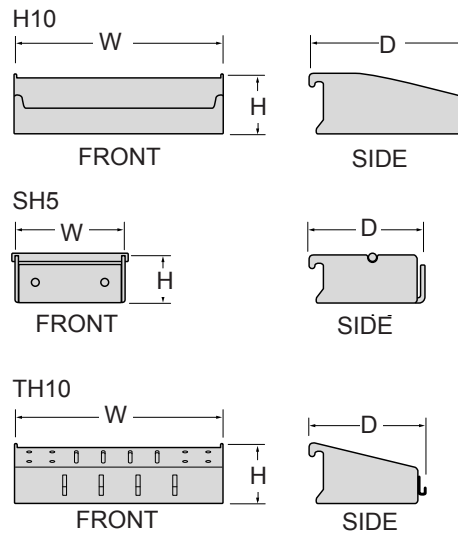
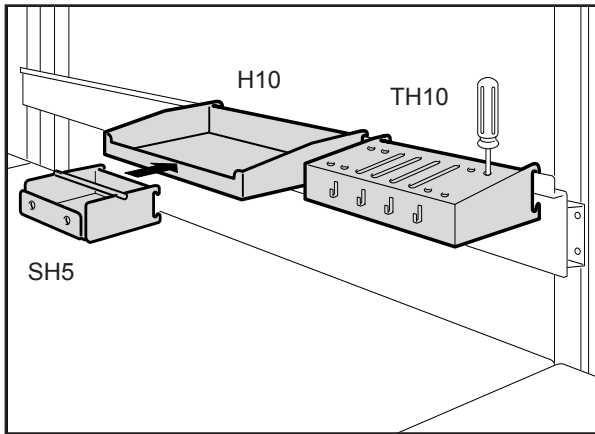
- 1) Product Number

## NOTES:

- Additional spindles can be attached to a single Spool Holder. Order separately; see below.

## PRODUCT DIMENSIONS

Product Number	Description	Height in. [mm]	Width in. [mm]	Depth in. [mm]	Weight lb. [kg]
SPS24BT	frame, short	4 $\frac{1}{2}$ [114]	22 [559]	6 [152]	3 [1]
SPS30BT	frame, short	4 $\frac{1}{2}$ [114]	28 [711]	6 [152]	3 [1]
SPS36BT	frame, short	4 $\frac{1}{2}$ [114]	34 [864]	6 [152]	4 [2]
SPS48BT	frame, short	4 $\frac{1}{2}$ [114]	46 [1168]	6 [152]	5 [2]
SPL24BT	frame, long	5 $\frac{1}{2}$ [140]	22 [559]	9 $\frac{3}{4}$ [248]	4 [2]
SPL30BT	frame, long	5 $\frac{1}{2}$ [140]	28 [711]	9 $\frac{3}{4}$ [248]	4 [2]
SPL36BT	frame, long	5 $\frac{1}{2}$ [140]	34 [864]	9 $\frac{3}{4}$ [248]	5 [2]
SPL48BT	frame, long	5 $\frac{1}{2}$ [140]	46 [1168]	9 $\frac{3}{4}$ [248]	$\frac{1}{4}$ [.1]
SPD3	spindle	$\frac{5}{8}$ [16]	3 $\frac{1}{4}$ [83]	$\frac{5}{8}$ [16]	$\frac{1}{4}$ [.1]
SPD12	spindle	$\frac{5}{8}$ [16]	10 [254]	$\frac{5}{8}$ [16]	$\frac{1}{4}$ [.1]
SPD24	spindle	$\frac{5}{8}$ [16]	22 [559]	$\frac{5}{8}$ [16]	$\frac{1}{4}$ [.1]
SPD30	spindle	$\frac{5}{8}$ [16]	28 [711]	$\frac{5}{8}$ [16]	$\frac{1}{4}$ [.1]
SPD36	spindle	$\frac{5}{8}$ [16]	34 [864]	$\frac{5}{8}$ [16]	$\frac{1}{4}$ [.1]
SPD48	spindle	$\frac{5}{8}$ [16]	46 [1168]	$\frac{5}{8}$ [16]	$\frac{1}{4}$ [.1]



## DESCRIPTION

- Holders provide storage for small parts, tools, solder and work aids in workstations.
- Holders hang from Bin Rails.
- Tool Holders and Solder Holders hang from Bin Rails or from the front of Holders.
- Solder Holders each include a spindle.

### TO ORDER, SPECIFY:

- 1) Product Number
- 2) Finish Standard or Dissipative

#### Standard Finishes:

- BK Black
- BT Black Texture\*
- GL Grey Light Smooth
- GT Grey Light Texture\*
- NW Neutral White
- ST Sand Texture\*

#### Dissipative Finish:

- DG Dissipative Grey Light Smooth

\* Paint upcharge applies

### NOTES:

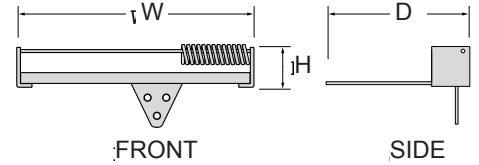
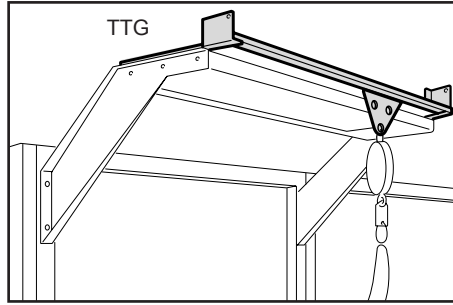
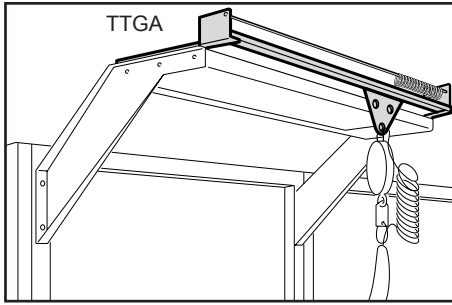
- Bin Rails sold separately; see page 12.2.

## PRODUCT DIMENSIONS

Product Number	Description	Height in. [mm]	Width in. [mm]	Depth in. [mm]	Weight lb. [kg]
H10	holder	2½ [64]	10 [254]	5¾ [146]	1 [.5]
SH5	solder holder	2 [51]	4 [102]	3½ [89]	1 [.5]
TH10	tool holder	2 [51]	9 [229]	4 [102]	1 [.5]

# OVERHEAD TOOL TRAVELERS

MATERIAL HANDLING



## DESCRIPTION

- Tool Travelers suspend small hand tools above workstations providing 8" of fore and aft adjustment.
- Travelers attach to the top of Cantilever Light Brackets with or without the use of Task Lights.
- Units without air each include a rail, one car and two end supports.
- Units with air each include a rail, one car with air adapter ending in 1/4" FPT, two end supports, a 3/8" push-in fitting for air feed of 1/2" OD tube and a 1/4" ID coiled poly tube.
- Load capacity 50 lbs.
- Finish is Black Texture.

## TO ORDER, SPECIFY:

- 1) Product Number

## NOTES:

- Cantilever Light Brackets sold separately; see page 8.8.
- Additional Tool Traveler Cars sold separately; see below. Two cars maximum per rail.
- Tool Traveler Cars with Air each include all parts needed to add the car to a Tool Traveler in the field.
- Compressed Air Coil Tube Kits (CAC) to connect the air tool to the car sold separately; see page 8.23.

## PRODUCT DIMENSIONS

Product Number	Description	Height in. [mm]	Width in. [mm]	Depth in. [mm]	Weight lb. [kg]
TTG48BT	without air	4 1/2 [108]	48 [1219]	12 1/2 [318]	6 [3]
TTG60BT	without air	4 1/2 [108]	60 [1524]	12 1/2 [318]	7 [3]
TTG72BT	without air	4 1/2 [108]	72 [1829]	12 1/2 [318]	8 [4]
TTGA48BT	with air	4 1/2 [108]	48 [1219]	12 1/2 [318]	8 [4]
TTGA60BT	with air	4 1/2 [108]	60 [1524]	12 1/2 [318]	9 [4]
TTGA72BT	with air	4 1/2 [108]	72 [1829]	12 1/2 [318]	10 [5]
TCGBT	car without air	4 1/2 [108]	5 1/2 [140]	1/4 [6]	1 [.5]
TCGABT	car with air	4 1/2 [108]	5 1/2 [140]	1/4 [6]	2 [1]