

**IN THE BOX YOU WILL FIND:**

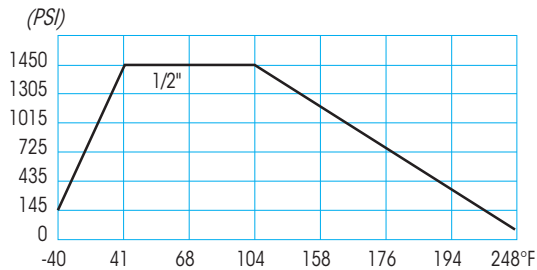
- 3/4" Male Adaptor for hose connector
- Plastic Key to instal adaptor
- User Manual



**LIST OF COMPONENTS: Description/Materials**

Body	CW724R-C69300 (Pb ≤ 0.1%)
Filter	Plastic
O-ring	EPDM Perox
Antifriction ring	PTFE
Seats	PTFE
Screw	AISI 316
Lever	Aluminum lever (1750P 1750H) - Brass lever (1750G)
Stem	CW724R-C69300 (Pb ≤ 0.1%)
Nut	CW617N - C37700
Protection plate	CW617N - C37700
Lateral seal	PTFE
Ball	CW724R-C69300 (Pb ≤ 0.1%)
Adaptor 3/4	CW724R-C69300 (Pb ≤ 0.1%)
Screw adaptor	LF BRASS (Pb ≤ 0.25%)

**PRESSURE/TEMPERATURE**



UNI EN ISO 9001: 2015



ISO 14001: 2015



**EFFEBI U.S.**

30 Chapin Rd, Suite 1205  
 PINE BROOK, NJ 07058  
 Tel. +1 973-287-7584

effebi.us@effebi.com - www.effebi.com

www.fcs-sbema.it

# SKY®

## INNOVATIVE FROST RESISTANT FAUCET



**YOU WILL WANT TO INSTALL IT  
 WHERE PEOPLE CAN SEE IT**



**ITALIAN DESIGN - MADE IN ITALY**

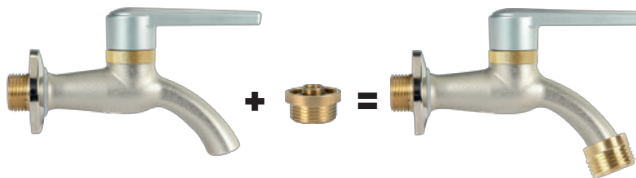


# SKY®

- SKY® is an innovative design outdoor faucet with a frost resistant system
- Stylish Italian design, Made in Italy
- Self-cleaning ball, avoiding water stagnation
- The very best of Italian Technology and Style, coupled with functionality
- The SKY® outdoor faucet is manufactured in "LF BRASS" (lead free\*). Ecobrass®/C69300 (CW724R) are excellent and very resistant copper alloys with maximum lead content 0,10%.

\*Wetted surfaces of this tap shall contain no more than 0.25% lead by weighted average

Part No. 1750G	1/2" MPT
Part No. 1750P	1/2" MPT
Part No. 1750H	1/2" MPT



### AVAILABLE WITH FOLLOWING KITS



UNIVERSAL ADAPTOR KIT 3/4" INCLUDED IN THE BOX

Part No. K047G425



TURNABLE AERATOR FOR A GOOD FLOW AND LOW CONSUMPTION OF WATER

Part No. K019G402USA



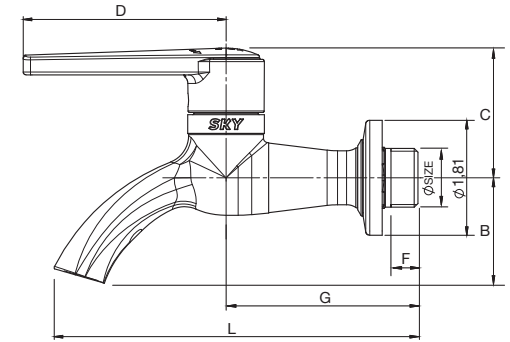
# 1750P



# 1750G



# 1750H



### VALVE DIMENSIONS (INCHES)

Size	1/2"				
B	1.47				
C	1.79				
D	2.81				
F	0.53				
G	2.79				
L	5.16				

### TECHNICAL FEATURES:

Temperature limits: -40°F to +248°F  
 Pressure limits: 1450 PSI (CWP)

### SPECIFIC FEATURES:

- Bore: Reduced.
- Stem: Anti blow out.
- Seats: High resistance special PTFE.
- Upper seal: **4 seals**
  - 1 PTFE ring - high pressure
  - 2 anti-friction self-adjusting cone shaped seals in PTFE - medium and low pressure
  - 1 O-Ring Epdm Perox low pressure.

Threaded end connections: NPT (ANSI B 1.20.1) 1/2" MPT

Operation devices: Aluminum lever (1750P 1750H) - Brass lever (1750G).

**EVERY** faucet air tested 100% with electronic control