

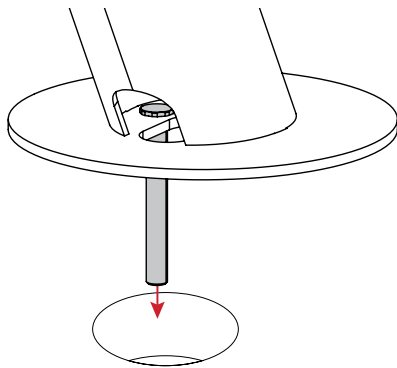
OPTIONAL MOUNTING KITS

Slot Mounting Kit	Through-Hole Mounting Kit	Dual Post Mounting Kit
<p>Mounting Plate</p> <p>Hex Screw</p> <p>Slot Adapter</p> <p>Hex Key</p> <p>Wingnut</p>	<p>Mounting Plate</p> <p>Wingnut</p>	<p>Mounting Plate</p> <p>Wing Post</p> <p>Wingnut</p>

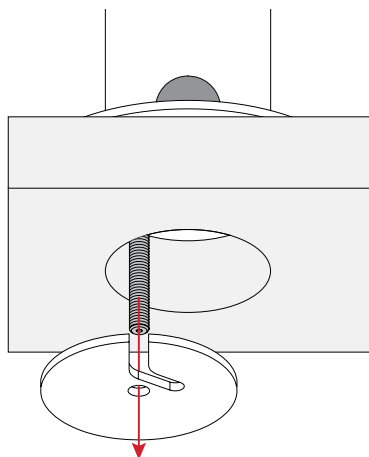
Locked Portrait	Locked Landscape	Free Swivel
<p style="text-align: center;"> The top sliding bracket needs to be fully extended to lock rotation with the set screw. </p>		

THROUGH-HOLE INSTALLATION

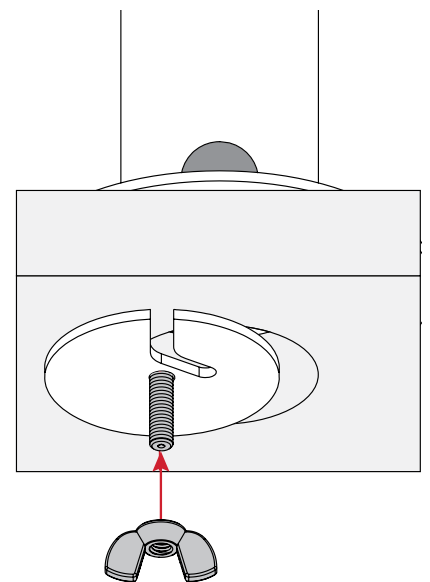
1 Place the riser in the through hole on the fixture.



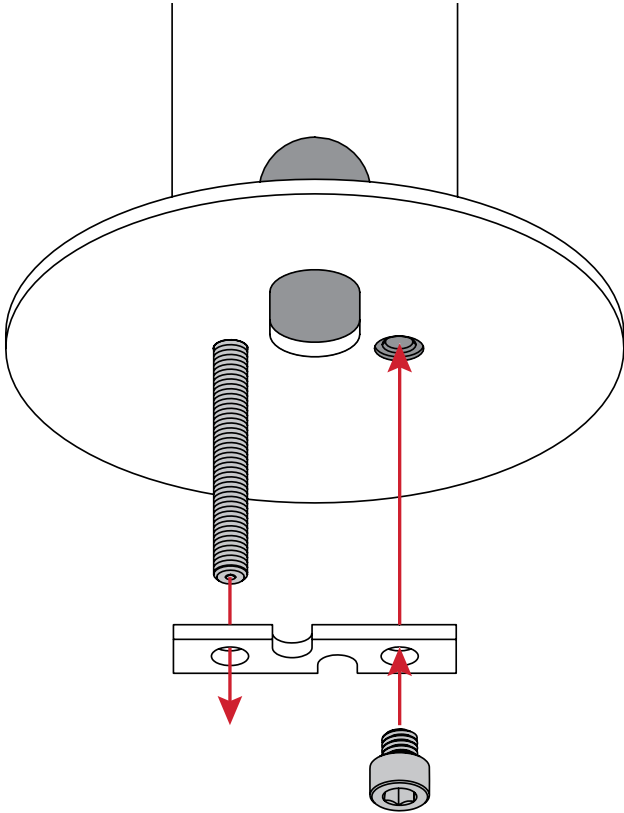
2 From the underside, slide the circular mounting plate all the way over the post with the gap facing the front of the position.



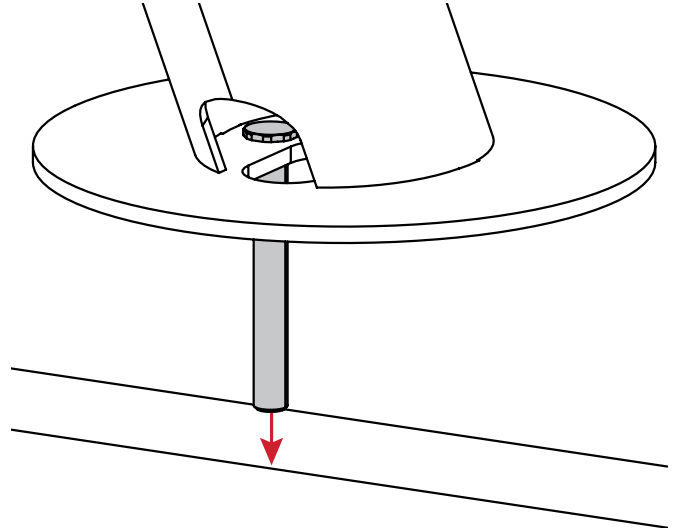
3 Tighten the wingnut onto the post. See page 5 for device installation.



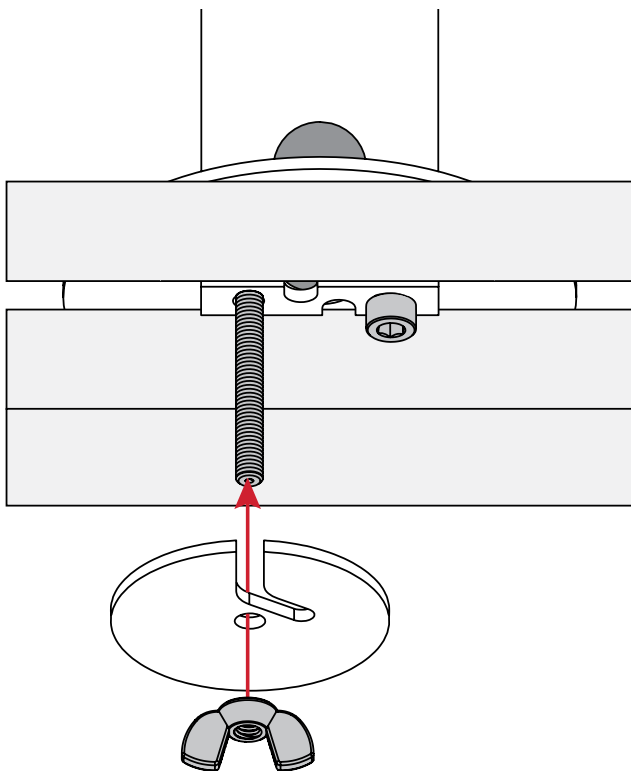
- 1** Place the slot adapter over the post and secure with the hex screw using the hex key.



- 2** Place in the slot on the fixture.



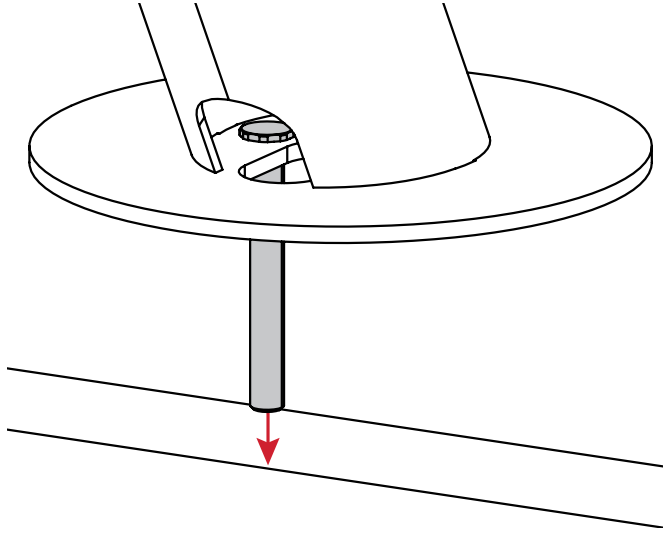
- 3** From the underside, slide the circular mounting plate all the way over the post with the gap facing the front of the position. Tighten the wingnuts onto the post.



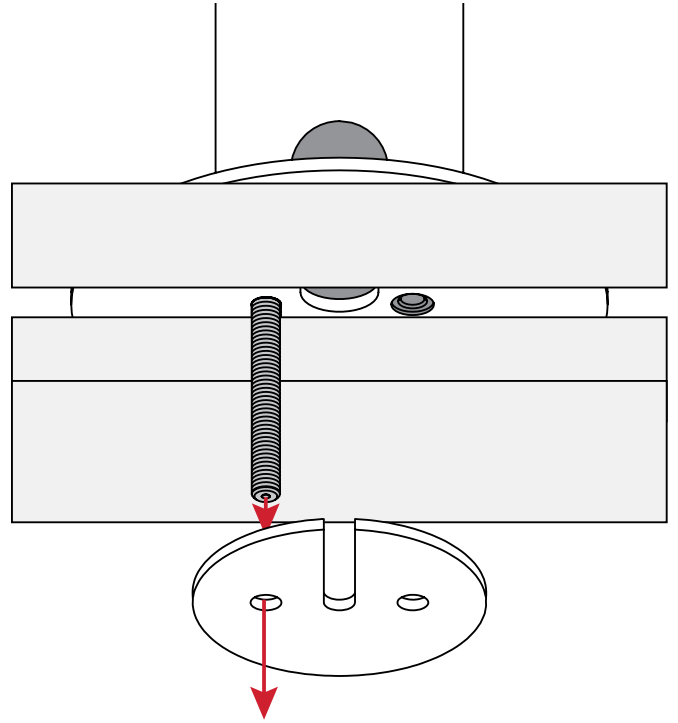
- 4**

See page 5 for device installation.

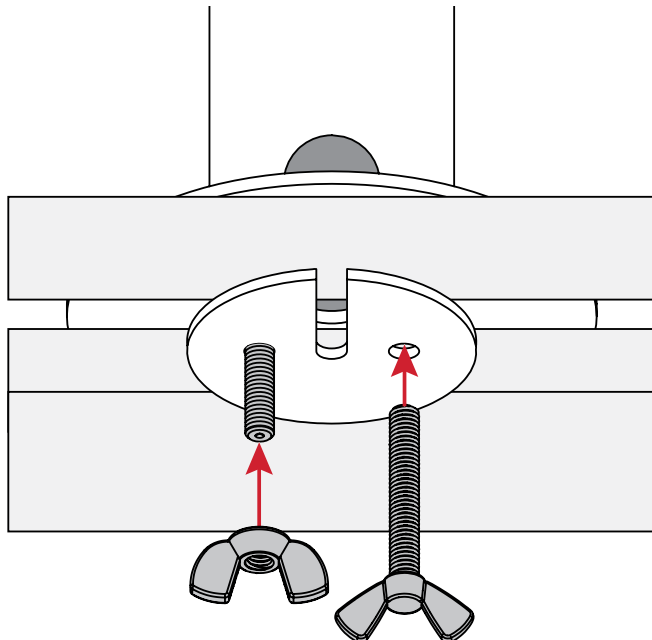
- 1** Place riser in the hole (minimum size 1.625") or slot on the fixture.



- 2** From the underside, slide the circular mounting plate all the way over the post with the gap facing the front of the position.



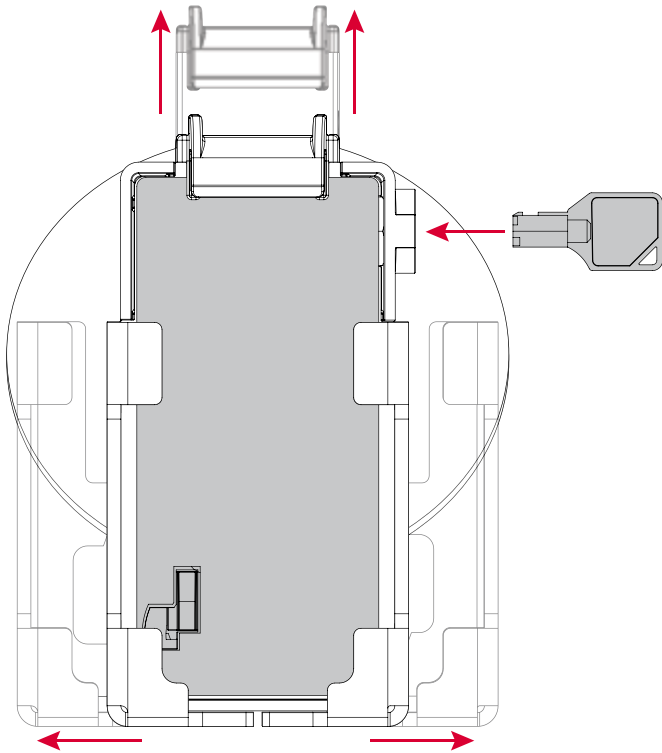
- 3** Insert the wing screw into the empty hole on the underside of the riser via the hole in the circular mounting plate. Tighten the wingnuts onto the posts.



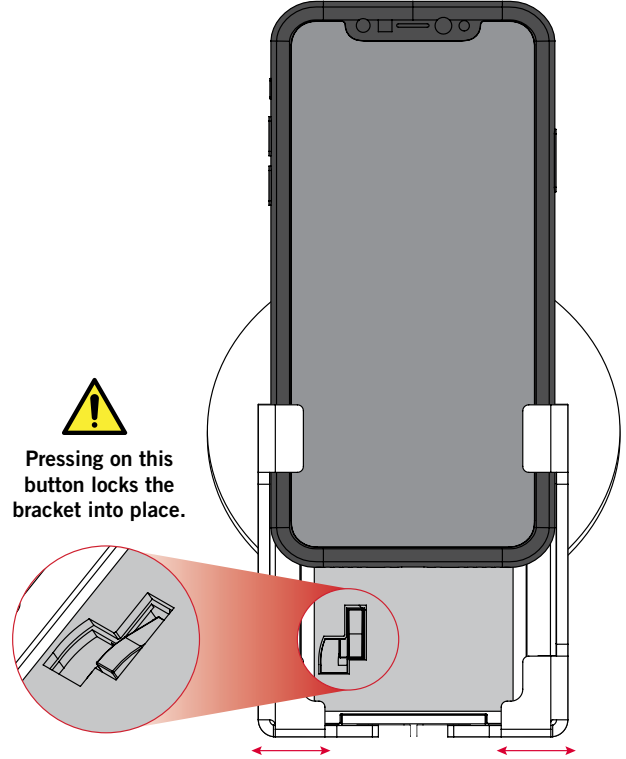
- 4**

See page 5 for device installation.

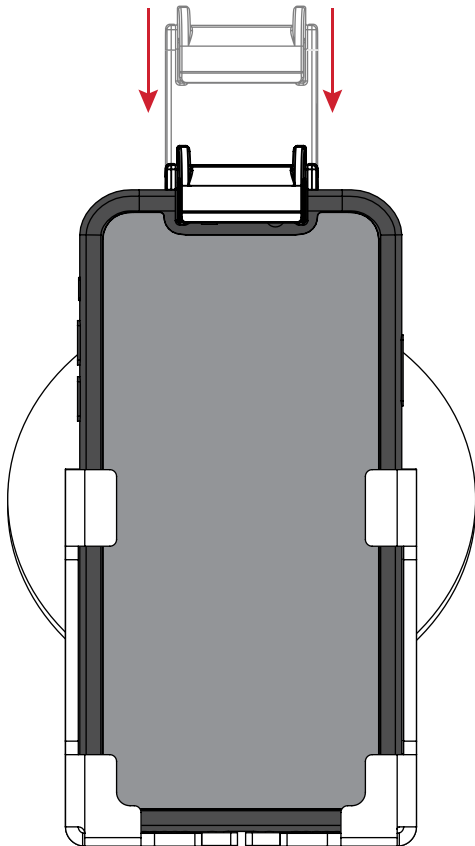
- 1** If the position is locked, insert the key into the barrel lock and turn clockwise to unlock. Slide the top and side brackets away from the center of the position.



- 2** Place the phone on the position, but not over the button. Slide the side brackets in to fit the phone, then slide the phone all the way down over the button.



- 3** Slide the top bracket down against the phone.



- 4** Insert the key into the barrel lock and turn clockwise to unlock. Push on the cylinder in the middle of the lock to re-lock.

