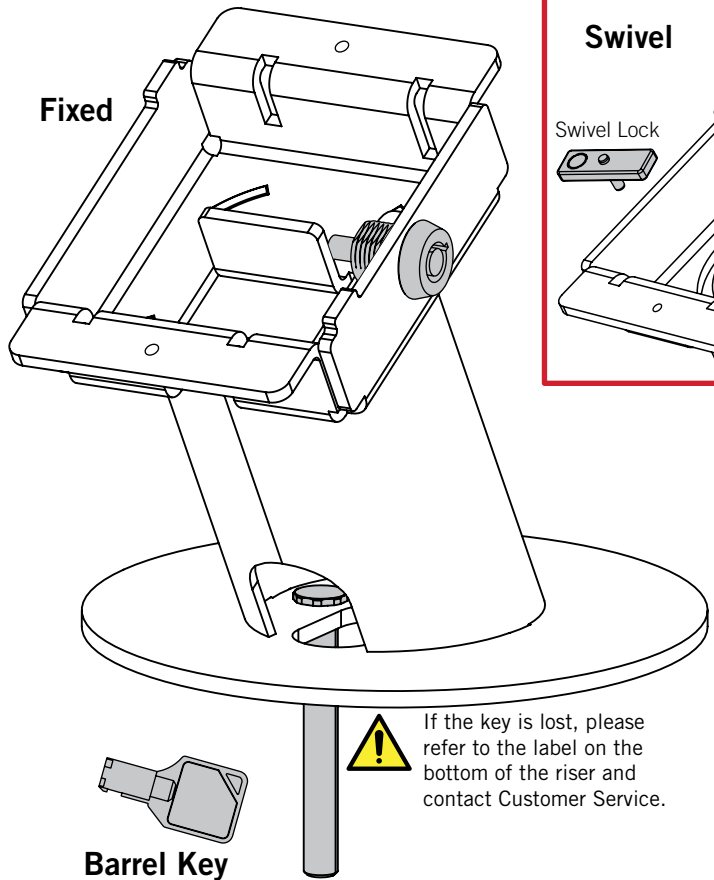
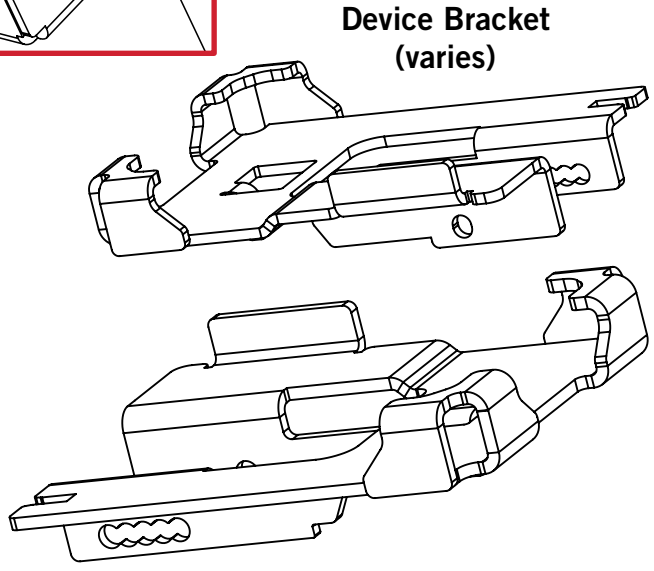
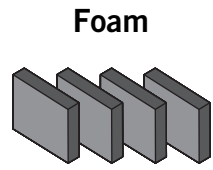


XD GUARDIAN D SERIES™



If the key is lost, please refer to the label on the bottom of the riser and contact Customer Service.

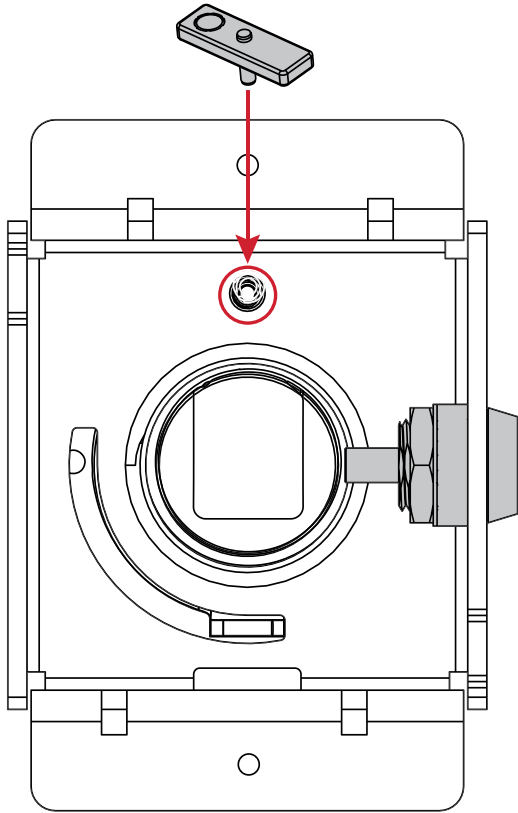


WARNING: MTI products contains chemicals known to the State of California to cause cancer and birth defects or other reproductive harm. Proposition 65, California Health & Safety Code Section 25249.6 et seq. Visit oehha.ca.gov for more information.

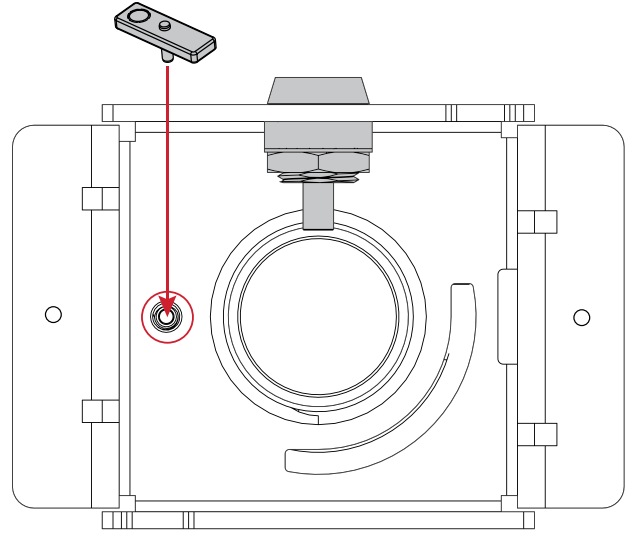
OPTIONAL MOUNTING KITS

Slot Mounting Kit	Through-Hole Mounting Kit	Dual Post Mounting Kit
<p>Mounting Plate</p> <p>Hex Screw</p> <p>Slot Adapter</p> <p>Hex Key</p> <p>Wingnut</p>	<p>Mounting Plate</p> <p>Wingnut</p>	<p>Mounting Plate</p> <p>Wing Post</p> <p>Wingnut</p>

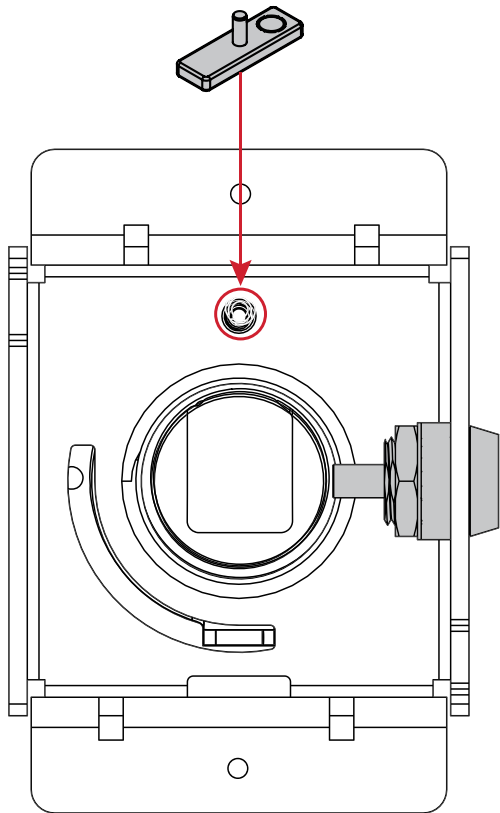
Locked Portrait



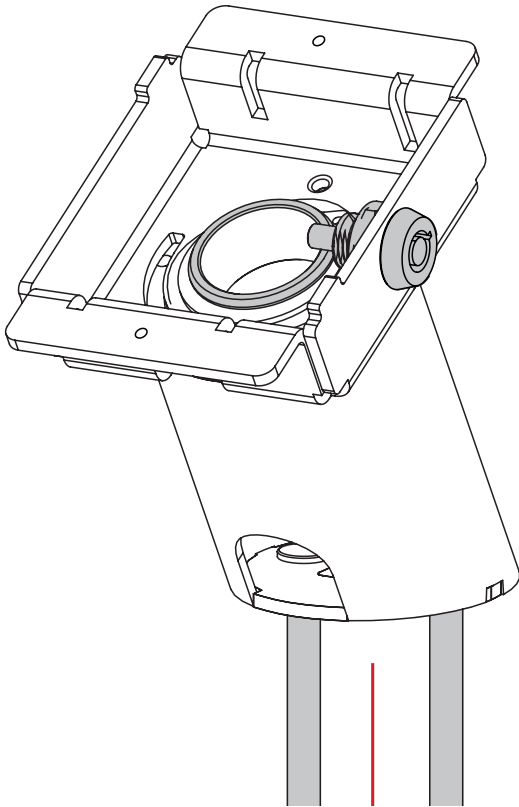
Locked Landscape



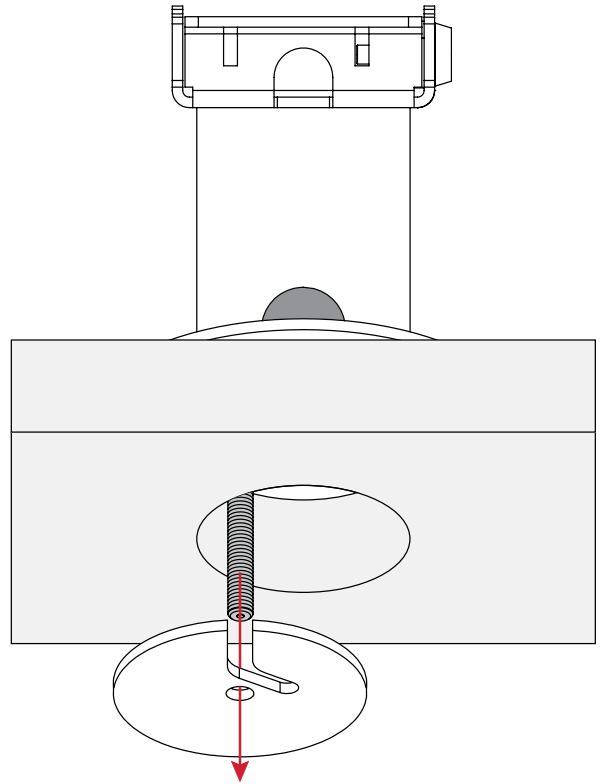
Free Swivel (Storing the Locking Pin)



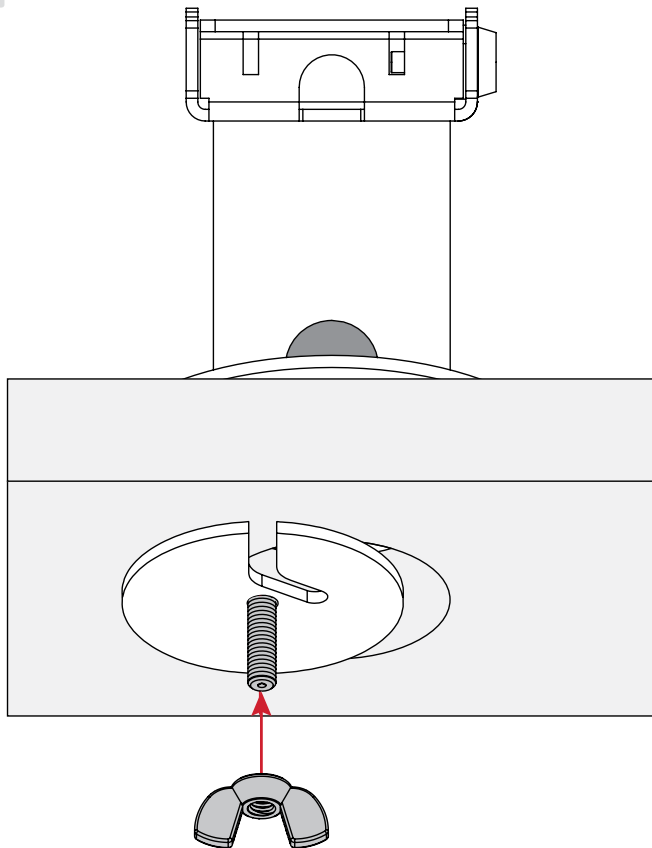
1 Place the riser in the through hole on the fixture.



2 From the underside, slide the circular mounting plate all the way over the post with the gap facing the front of the position.



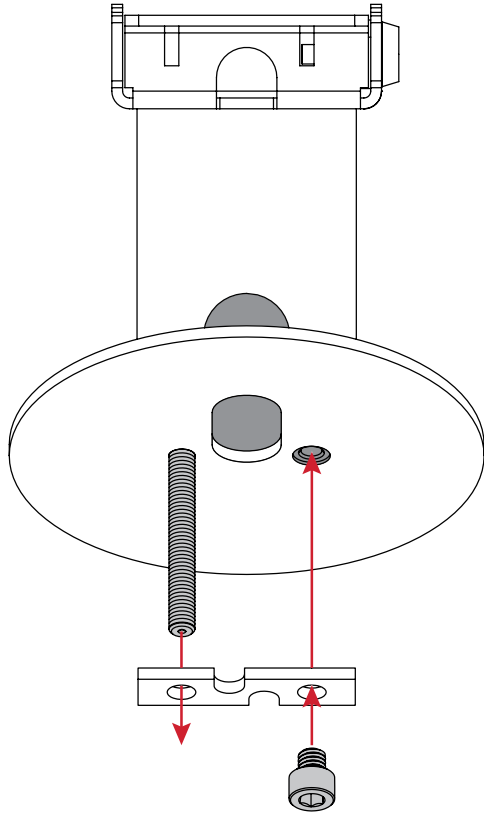
3 Tighten the wingnut onto the post.



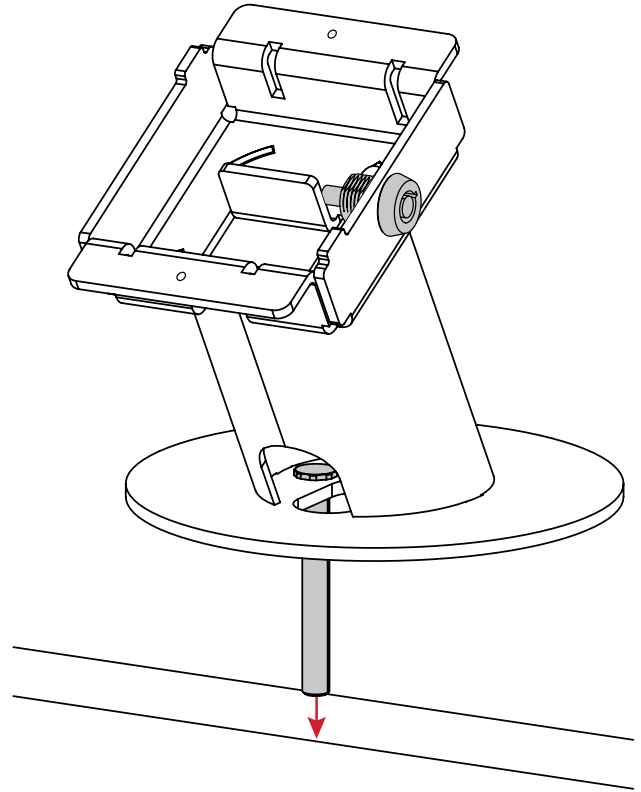
4

**See page 6 for
bracket installation.**

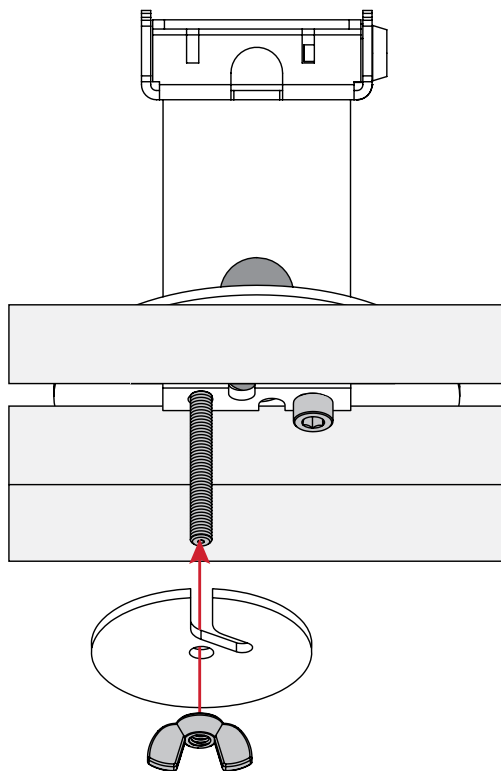
- 1** Place the slot adapter over the post and secure with the hex screw using the hex key.



- 2** Place in the slot on the fixture.



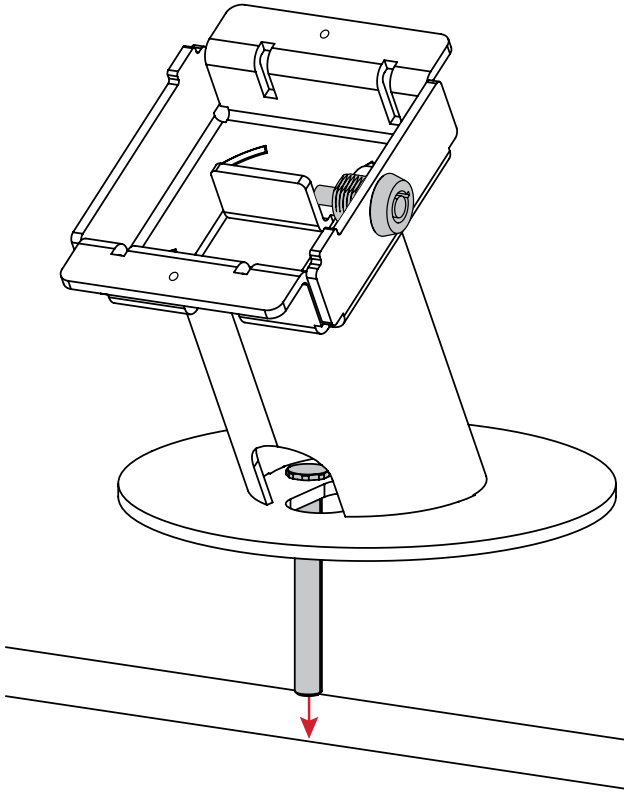
- 3** From the underside, slide the circular mounting plate all the way over the post with the gap facing the front of the position. Tighten the wingnuts onto the post.



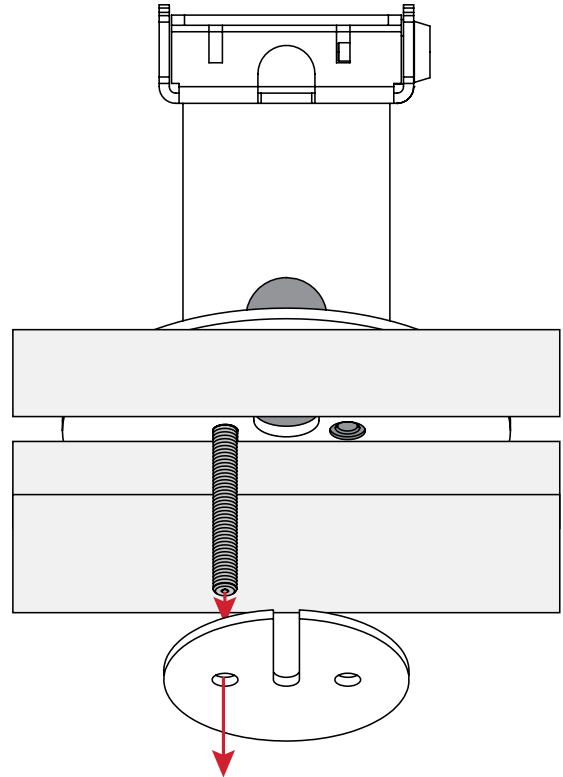
- 4**

**See page 6 for
bracket installation.**

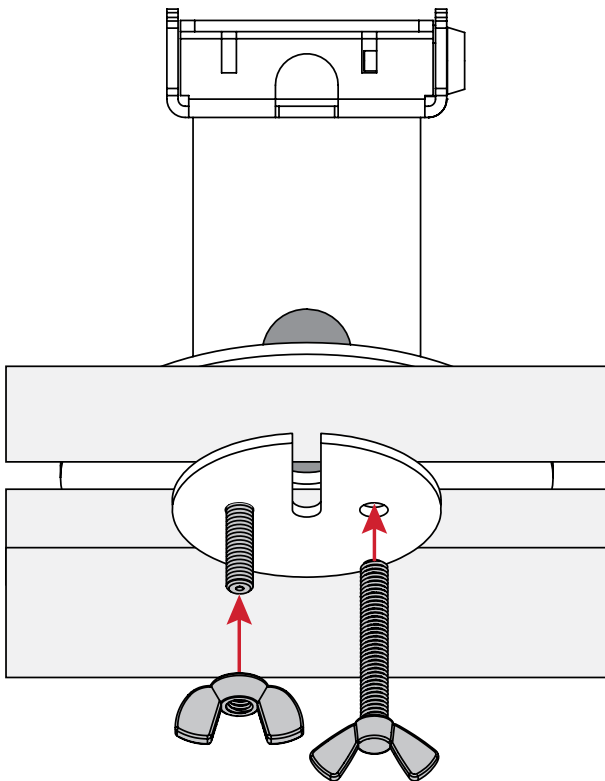
- 1** Place riser in the hole (minimum size 1.625") or slot on the fixture.



- 2** From the underside, slide the circular mounting plate all the way over the post with the gap facing the front of the position.



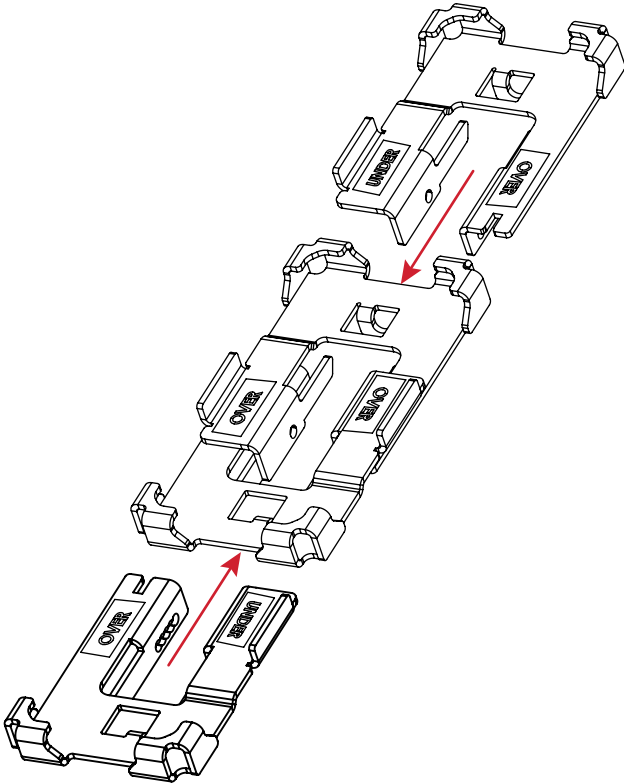
- 3** Insert the wing screw into the empty hole on the underside of the riser via the hole in the circular mounting plate. Tighten the wingnuts onto the posts.



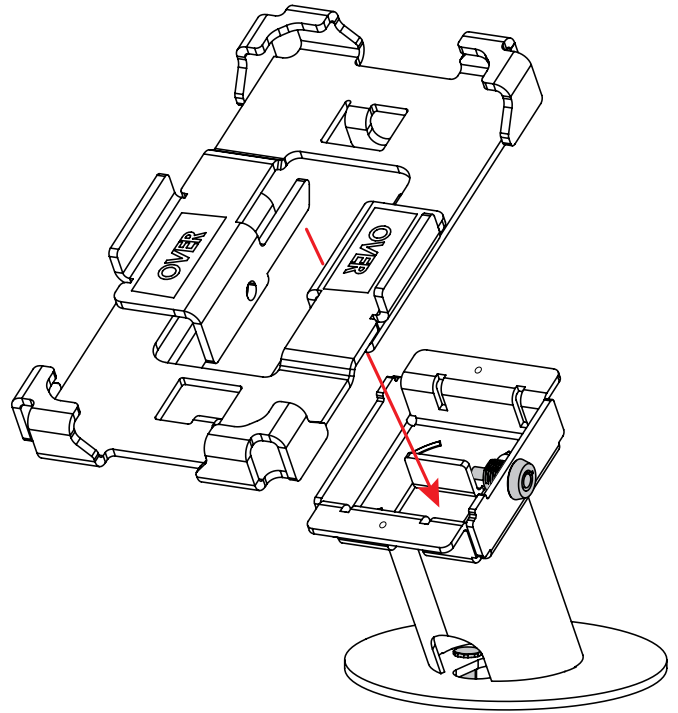
4

**See page 6 for
bracket installation.**

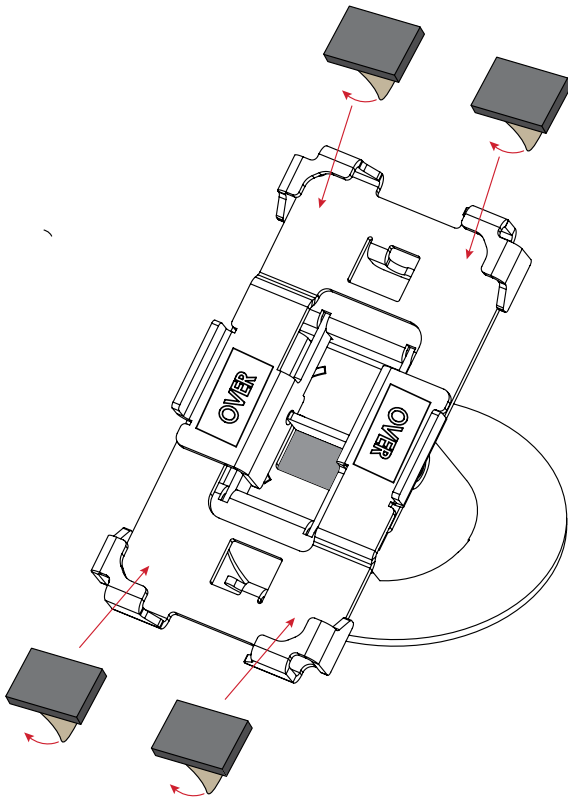
- 1** Mate the product brackets by aligning the bars so that the bars with caterpillar holes are on the outside and slide the products together.



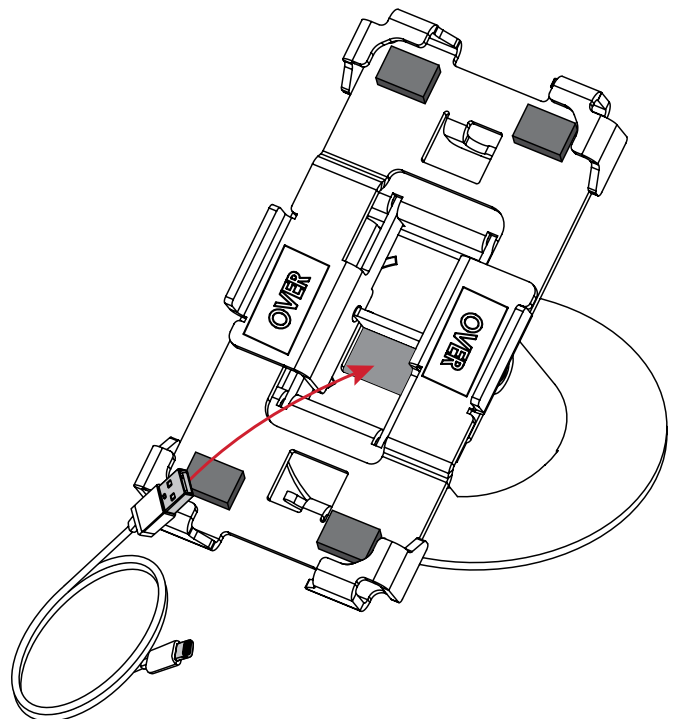
- 2** Seat the device brackets onto the XD Guardian D Series Base.



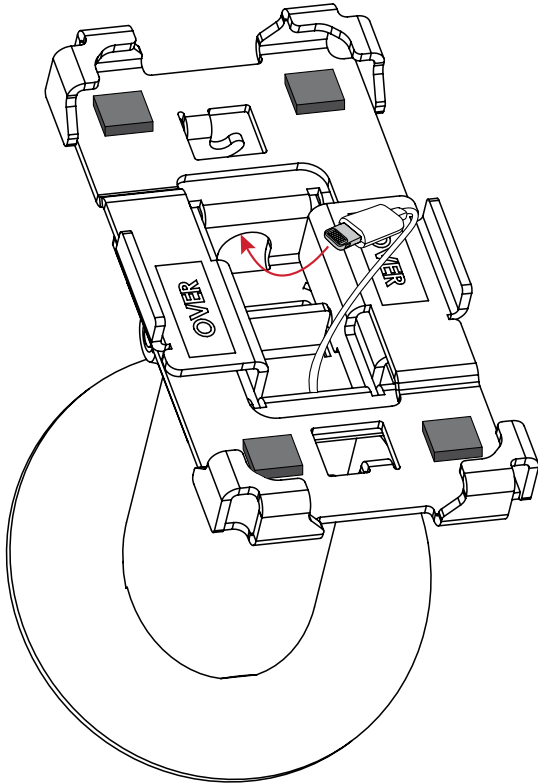
- 3** Peel the backing off of the foam and place it onto the device bracket.



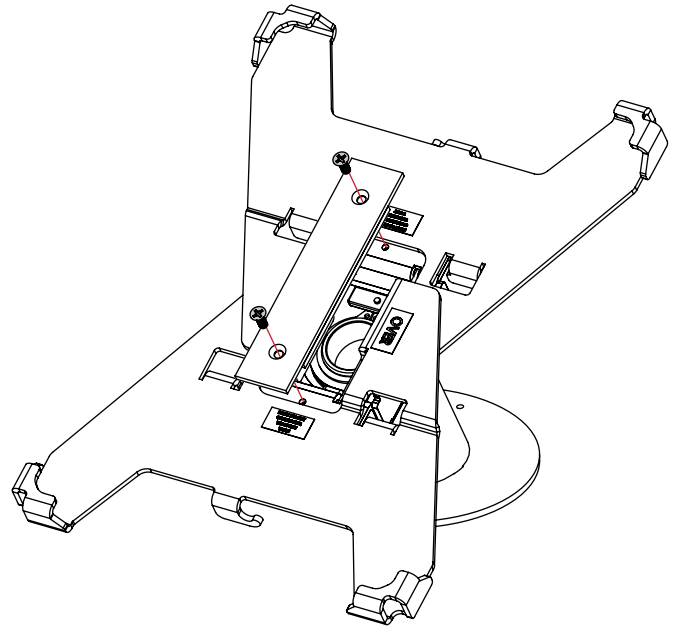
- 4** Insert the USB-A end of the product's power cable down and through the XD Guardian D Series position and connect it to power.



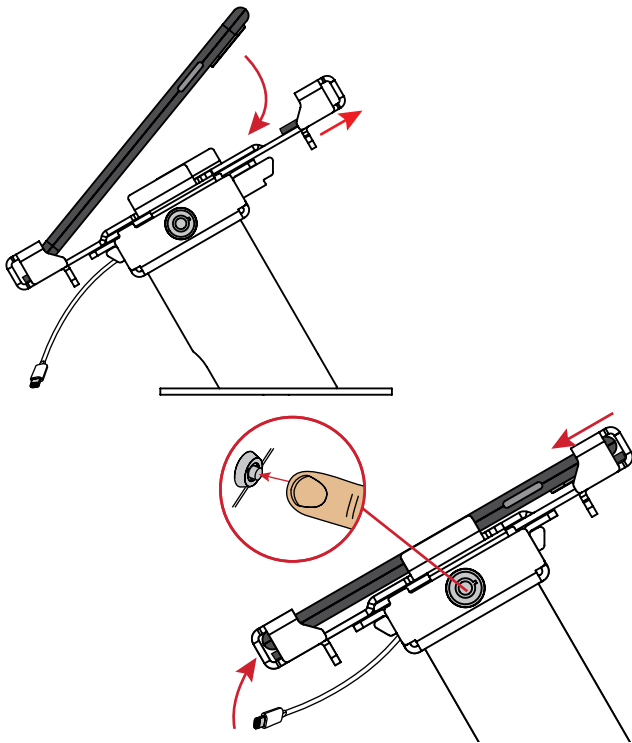
- 5** Route the product end of the power cable through the opening on the front of the XD Guardian D Series position.



- 6** **FOR TABLET BRACKETS ONLY:** Align the holes on the tablet bracket bar to the holes on the riser. Use the two included screws to secure the bar into place.



- 7** Slide the top half of the device bracket up, and place the product in the bracket. Slide the top half of the device bracket down to snugly fit around the product. Press the barrel lock to lock the brackets into place.



- 8** Insert the key into the barrel lock and turn clockwise to unlock. Push on the cylinder in the middle of the lock to re-lock.

