

TRADEMARK ASSIGNMENT

Electronic Version v1.1
 Stylesheet Version v1.1

SUBMISSION TYPE:	NEW ASSIGNMENT
NATURE OF CONVEYANCE:	ASSIGNS THE ENTIRE INTEREST AND THE GOODWILL

CONVEYING PARTY DATA

Name	Formerly	Execution Date	Entity Type
Metropolitan Vacuum Cleaner Co., Inc.		05/14/2013	CORPORATION: NEW YORK

RECEIVING PARTY DATA

Name:	Metropolitan Vacuum Cleaner Co., Inc.
Street Address:	5 Raritan Road
City:	Oakland
State/Country:	NEW JERSEY
Postal Code:	07436
Entity Type:	CORPORATION: NEW JERSEY

PROPERTY NUMBERS Total: 41

Property Type	Number	Word Mark
Serial Number:	85880369	ELECTRA-SWEEP
Registration Number:	4275767	DELIBERATELY MADE BETTER IN THE USA
Serial Number:	85637471	ELECTRIC DUSTER
Registration Number:	4271937	HIT ZONE
Registration Number:	4024134	
Registration Number:	4024133	
Registration Number:	3777016	VAC 'N, GO 500
Registration Number:	3701701	SIDEKICK
Registration Number:	3701645	MASTER BLASTER
Registration Number:	3701644	BLASTER
Registration Number:	3712971	METRO AIR FORCE TWIN TURBO
Registration Number:	3384340	STOWAWAY
Registration Number:	3522787	
Registration Number:	3383346	QUICK DRAW

OP \$1040.00 85880369

TRADEMARK

Registration Number:	3374385	SIDEKICK
Registration Number:	2834193	BLASTER
Registration Number:	2834192	MASTER BLASTER
Registration Number:	2812792	METROPOLITAN
Registration Number:	2528525	SHUTTLE
Registration Number:	2740929	METRO AIR FORCE
Registration Number:	2629793	SHEAR MAGIC
Registration Number:	2616349	AIR FORCE
Registration Number:	2408807	TOP GUN
Registration Number:	2717709	MASTER BLASTER
Registration Number:	2717710	BLASTER
Registration Number:	2316028	DATAVAC
Registration Number:	2428779	DATAVAC PC
Registration Number:	2137213	CAGEMASTER
Registration Number:	2156499	METRO AIR FORCE EXPRESS
Registration Number:	1948899	ELECTRICDUSTER METRO DATA-VAC
Registration Number:	1616486	COMMANDER
Registration Number:	1412103	TURBO 2000
Registration Number:	1381166	OMNIVAC
Registration Number:	1337649	VAC'N'GO
Registration Number:	1286985	DATA-VAC
Registration Number:	1180863	METRO AIR FORCE
Registration Number:	1207945	M METRO VAC AND BLO
Registration Number:	1144734	MAGIC-AIR
Registration Number:	0926728	DUO-VOLT
Registration Number:	0835414	M METRO
Registration Number:	0748706	TURBOTRONIC

CORRESPONDENCE DATA

Fax Number: 8453574616
Correspondence will be sent to the e-mail address first; if that is unsuccessful, it will be sent via US Mail.
Phone: (845) 357-6800
Email: Mike@Zall-Law.com
Correspondent Name: Michael E. Zall
Address Line 1: Two Yorkshire Drive
Address Line 4: Suffern, NEW YORK 10901

TRADEMARK

REEL: 005027 FRAME: 0778

	METRO 5.0004
NAME OF SUBMITTER:	Michael E. Zall
Signature:	/Michael E. Zall/
Date:	05/15/2013

Total Attachments: 50

- source=ExecAssign2#page1.tif
- source=ScheduleA#page1.tif
- source=ScheduleA#page2.tif
- source=ScheduleA#page3.tif
- source=ScheduleA#page4.tif
- source=ScheduleA#page5.tif
- source=ScheduleA#page6.tif
- source=ScheduleA#page7.tif
- source=ScheduleA#page8.tif
- source=ScheduleA#page9.tif
- source=ScheduleA#page10.tif
- source=ScheduleA#page11.tif
- source=ScheduleA#page12.tif
- source=ScheduleA#page13.tif
- source=ScheduleA#page14.tif
- source=ScheduleA#page15.tif
- source=ScheduleA#page16.tif
- source=ScheduleA#page17.tif
- source=ScheduleA#page18.tif
- source=ScheduleA#page19.tif
- source=ScheduleA#page20.tif
- source=ScheduleA#page21.tif
- source=ScheduleA#page22.tif
- source=ScheduleA#page23.tif
- source=ScheduleA#page24.tif
- source=ScheduleA#page25.tif
- source=ScheduleA#page26.tif
- source=ScheduleA#page27.tif
- source=ScheduleA#page28.tif
- source=ScheduleA#page29.tif
- source=ScheduleA#page30.tif
- source=ScheduleA#page31.tif
- source=ScheduleA#page32.tif
- source=ScheduleA#page33.tif
- source=ScheduleA#page34.tif
- source=ScheduleA#page35.tif
- source=ScheduleA#page36.tif
- source=ScheduleA#page37.tif
- source=ScheduleA#page38.tif
- source=ScheduleA#page39.tif
- source=ScheduleA#page40.tif
- source=ScheduleA#page41.tif
- source=ScheduleA#page42.tif
- source=ScheduleA#page43.tif
- source=ScheduleA#page44.tif

source=ScheduleA#page45.tif
source=ScheduleA#page46.tif
source=ScheduleA#page47.tif
source=ScheduleA#page48.tif
source=ScheduleA#page49.tif

ASSIGNMENT

WHEREAS, Metropolitan Vacuum Cleaner Co., Inc., a corporation of New York, with an address of 5 Raritan Road, Oakland, NJ 07436, ("Assignor") has adopted, used and is using the attached list of trademarks (**Schedule A**) which are presently registered or pending in the United States Patent and Trademark Office;

WHEREAS Metropolitan Vacuum Cleaner Co., Inc., a corporation of New Jersey, with an address of 5 Raritan Road, Oakland, NJ 07436, ("Assignee") is desirous of acquiring said marks and the applications and registrations thereof;

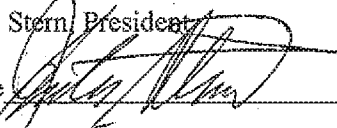
NOW, THEREFORE, for good and valuable consideration, receipt of which is hereby acknowledged, Assignor, does hereby assign to Assignee all right, title and interest in and to said marks, together with the good will of the business symbolized by the marks, together with all income, royalties, damages, and payments then or thereafter due or payable with respect to the Marks, all causes of action (in law and/or equity) and the right to sue, counterclaim, and recover for past, present, and future infringement, misappropriation, or dilution of the rights, and all rights, including the goodwill, corresponding thereto throughout the world where Assignor holds rights in the Marks.

Assignor

Metropolitan Vacuum Cleaner Co., Inc.,
New York Corporation

By: Jules Stern, President

Signature



Date

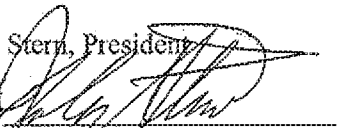
5/14/13

Assignee

Metropolitan Vacuum Cleaner Co., Inc.
New Jersey Corporation

By: Jules Stern, President

Signature



Date

5/14/13

SCHEDULE
A
TRADEMARKS
TRANSFERRED

Trademark Name: ELECTRA-SWEEP

(STANDARD CHARACTER MARK)

Filing Date: March 19, 2013

Official Gazette Status: PENDING - INITIALIZED

Status Date: March 22, 2013

Goods/Services: VACUUM CLEANERS, ELECTRIC BROOMS, HAND-HELD VACUUM CLEANERS, AND COMPONENT PARTS AND FITTINGS FOR ALL OF THE AFOREMENTIONED GOODS (INTERNATIONAL CLASS: 7; US CLASS: 13, 19, 21, 23, 31, 34, 35)

International Class: 7 (MACHINERY) - PRIMARY CLASS

PTO Internal Status: (630) NEW APPLICATION INITIALIZED

PTO Status Date: March 22, 2013

Owner: METROPOLITAN VACUUM CLEANER CO., INC. (NEW YORK CORPORATION)

Trademark Name: DELIBERATELY MADE BETTER IN THE USA

(STANDARD CHARACTER MARK)

Filing Date: June 17, 2012

Official Gazette Status: REGISTERED

Status Date: January 15, 2013

Goods/Services: WHOLESALE DISTRIBUTORSHIP SERVICES IN THE FIELD OF ELECTRIC VACUUM CLEANERS AND BLOWERS (INTERNATIONAL CLASS: 35; US CLASS: 100, 101, 102)

International Class: 35 (ADVERTISING AND BUSINESS SERVICES) - PRIMARY CLASS

Registration Number: 4275767

Registration Date: January 15, 2013

PTO Internal Status: NOT AVAILABLE

PTO Status Date: January 15, 2013

Publication Date: October 30, 2012

Owner: METROPOLITAN VACUUM CLEANER CO., INC. (NEW YORK CORPORATION)

Trademark Name: ELECTRIC DUSTER

(STANDARD CHARACTER MARK)

Filing Date: May 29, 2012

Official Gazette Status: PENDING

Status Date: October 25, 2012

Goods/Services: PORTABLE ELECTRIC AIR POWER BLOWER FOR USE IN BLOWING DUST, LINT AND DEBRIS OFF OF COMPUTERS AND ELECTRONIC EQUIPMENT (INTERNATIONAL CLASS: 7;
US CLASS: 13, 19, 21, 23, 31, 34, 35)

International Class: 7 (MACHINERY) - PRIMARY CLASS

PTO Internal Status: (641) NON-FINAL ACTION MAILED

PTO Status Date: October 25, 2012

Owner: METROPOLITAN VACUUM CLEANER CO., INC. (NEW YORK CORPORATION)

Trademark Name: ELECTRIC DUSTER

(STANDARD CHARACTER MARK)

Filing Date: May 29, 2012

Official Gazette Status: PENDING

Status Date: March 18, 2013

Goods/Services: PORTABLE ELECTRIC AIR POWER BLOWER FOR USE IN BLOWING DUST, LINT AND DEBRIS OFF OF COMPUTERS AND ELECTRONIC EQUIPMENT (INTERNATIONAL CLASS: 7;
US CLASS: 13, 19, 21, 23, 31, 34, 35)

International Class: 7 (MACHINERY) - PRIMARY CLASS

PTO Internal Status: (661) RESPONSE AFTER NON-FINAL REFUSAL

PTO Status Date: March 18, 2013

Owner: METROPOLITAN VACUUM CLEANER CO., INC. (NEW YORK CORPORATION)

Trademark Name: HIT ZONE

(STANDARD CHARACTER MARK)

Filing Date: May 21, 2012

Official Gazette Status: REGISTERED

Status Date: January 08, 2013

Goods/Services: SPORTING GOODS, NAMELY, A BASEBALL, SOFTBALL AND TENNIS TRAINING SET
CONSISTING OF PNEUMATIC PRACTICE TEE THAT SUPPORTS A SPORTS BALL AND ACCESSORIES FOR USE THEREWITH, NAMELY, BASEBALLS, TENNIS BALLS, AND SLEEVES FOR CHANNELING AIRFLOW (INTERNATIONAL CLASS: 28; US CLASS: 22, 23, 38, 50)

International Class: 28 (TOYS AND SPORTING GOODS) - PRIMARY CLASS

Registration Number: 4271937

Registration Date: January 08, 2013

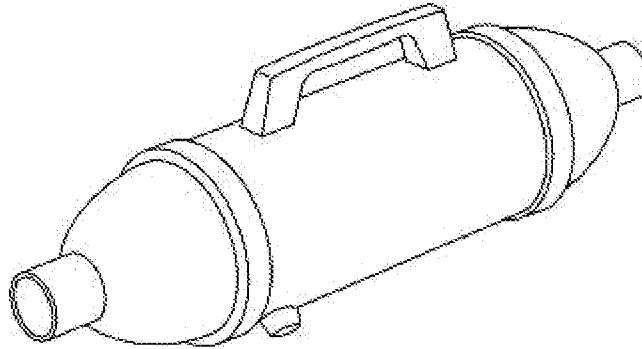
PTO Internal Status: NOT AVAILABLE

PTO Status Date: January 08, 2013

Publication Date: October 23, 2012

Owner: METROPOLITAN VACUUM CLEANER CO., INC. (NEW YORK CORPORATION)

Trademark Name:



Filing Date: September 13, 2010

Official Gazette Status: REGISTERED

Status Date: September 06, 2011

Goods/Services: HAND HELD PORTABLE ELECTRIC COMBINATION VACUUM CLEANER AND BLOWER

(INTERNATIONAL CLASS: 7; US CLASS: 13, 19, 21, 23, 31, 34, 35)

International Class: 7 (MACHINERY) - PRIMARY CLASS

Registration Number: 4024134

Registration Date: September 06, 2011

PTO Internal Status: NOT AVAILABLE

PTO Status Date: September 06, 2011

WIPO Design Codes: 15 (MACHINES AND PARTS THEREOF, INCLUDING INDUSTRIAL, AGRICULTURAL,

HOME AND OFFICE MACHINES; ELECTRICAL EQUIPMENT)

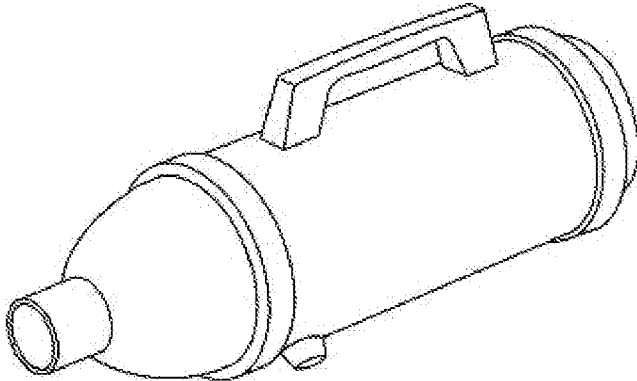
1503 (HOUSEHOLD MACHINES, APPLIANCES)

150301 (VACUUM CLEANERS, FLOOR POLISHERS, RUG SHAMPOOERS)

Description of Mark: THE MARK CONSISTS OF THE THREE-DIMENSIONAL CONFIGURATION OF THE END PORTIONS OF A HANDHELD PORTABLE ELECTRIC VACUUM CLEANER AND BLOWER CONSISTING OF A FIRST CONICAL END AND A SECOND OPPOSED CONICAL END ON THE OTHER SIDE OF THE HOUSING WHEREIN THE BASE OF EACH CONE IS ATTACHED TO THE HOUSING AND HAS A COLLAR AROUND SUCH BASE. THE BROKEN LINES DEPICTING THE TUBULAR HOUSING, HANDLE ATTACHED TO THE TOP OF THE HOUSING, FOOT PADS ON THE BOTTOM THEREOF, AND THE CYLINDRICAL PIPES PROTRUDING FROM THE TWO CONICAL ENDS INDICATE PLACEMENT OF THE MARK ON THE GOODS AND ARE NOT PART OF THE MARK.

Owner: METROPOLITAN VACUUM CLEANER CO., INC. (NEW YORK CORPORATION)

Trademark Name:



Filing Date: September 13, 2010

Official Gazette Status: REGISTERED

Status Date: September 06, 2011

Goods/Services: HAND HELD PORTABLE ELECTRIC VACUUM CLEANER (INTERNATIONAL CLASS: 7; US

CLASS: 13, 19, 21, 23, 31, 34, 35)

International Class: 7 (MACHINERY) - PRIMARY CLASS

Registration Number: 4024133

Registration Date: September 06, 2011

PTO Internal Status: NOT AVAILABLE

PTO Status Date: September 06, 2011

WIPO Design Codes: 15 (MACHINES AND PARTS THEREOF, INCLUDING INDUSTRIAL, AGRICULTURAL,

HOME AND OFFICE MACHINES; ELECTRICAL EQUIPMENT)

1503 (HOUSEHOLD MACHINES, APPLIANCES)

150301 (VACUUM CLEANERS, FLOOR POLISHERS, RUG SHAMPOOERS)

Description of Mark: THE MARK CONSISTS OF THE THREE-DIMENSIONAL CONFIGURATION OF THE END PORTIONS OF A HANDHELD PORTABLE ELECTRIC VACUUM CLEANER CONSISTING OF A FIRST CONICAL END AND A SECOND OPPOSED CONICAL END ON THE OTHER SIDE OF THE HOUSING WHEREIN THE BASE OF EACH CONE IS ATTACHED TO THE HOUSING AND HAS A COLLAR AROUND SUCH BASE. THE BROKEN LINES DEPICTING THE TUBULAR HOUSING, HANDLE ATTACHED TO THE TOP OF THE HOUSING, FOOT PADS ON THE BOTTOM THEREOF, AND CYLINDRICAL PIPE PROTRUDING FROM THE TOP OF THE CONICAL END INDICATE PLACEMENT OF THE MARK ON THE GOODS AND ARE NOT PART OF THE MARK.

Owner: METROPOLITAN VACUUM CLEANER CO., INC. (NEW YORK CORPORATION)

Trademark Name: VAC 'N, GO 500

(STANDARD CHARACTER MARK)

Filing Date: April 18, 2009

Official Gazette Status: REGISTERED

Status Date: April 20, 2010

Goods/Services: PORTABLE ELECTRIC VACUUM CLEANERS (INTERNATIONAL CLASS: 9; US CLASS: 21, 23, 26, 36, 38)

International Class: 9 (ELECTRICAL AND SCIENTIFIC APPARATUS) - PRIMARY CLASS

Registration Number: 3777016

Registration Date: April 20, 2010

PTO Internal Status: NOT AVAILABLE

PTO Status Date: April 20, 2010

Publication Date: February 02, 2010

Owner: METROPOLITAN VACUUM CLEANER CO., INC. (NEW YORK CORPORATION)

Trademark Name: SIDEKICK

(STANDARD CHARACTER MARK)

Filing Date: April 18, 2009

Official Gazette Status: REGISTERED

Status Date: October 27, 2009

Goods/Services: PORTABLE ELECTRIC AIR POWER BLOWER FOR DRYING MOTOR VEHICLES, NAMELY AUTOMOBILES AND MOTORCYCLES (INTERNATIONAL CLASS: 11; US CLASS: 13, 21, 23, 31, 34)

International Class: 11 (ENVIRONMENTAL CONTROL APPARATUS) - PRIMARY CLASS

Registration Number: 3701701

Registration Date: October 27, 2009

PTO Internal Status: NOT AVAILABLE

PTO Status Date: October 27, 2009

Publication Date: August 11, 2009

Owner: METROPOLITAN VACUUM CLEANER CO., INC. (NEW YORK CORPORATION)

Trademark Name: MASTER BLASTER

(STANDARD CHARACTER MARK)

Filing Date: April 13, 2009

Official Gazette Status: REGISTERED

Status Date: October 27, 2009

Goods/Services: PORTABLE ELECTRIC AIR POWER BLOWER FOR DRYING MOTOR VEHICLES, NAMELY, AUTOMOBILES AND MOTORCYCLES (INTERNATIONAL CLASS: 11; US CLASS: 13, 21, 23, 31, 34)

International Class: 11 (ENVIRONMENTAL CONTROL APPARATUS) - PRIMARY CLASS

Registration Number: 3701645

Registration Date: October 27, 2009

PTO Internal Status: NOT AVAILABLE

PTO Status Date: October 27, 2009

Publication Date: August 11, 2009

Owner: METROPOLITAN VACUUM CLEANER CO., INC. (NEW YORK CORPORATION)

Trademark Name: BLASTER

(STANDARD CHARACTER MARK)

Filing Date: April 13, 2009

Official Gazette Status: REGISTERED

Status Date: October 27, 2009

Goods/Services: PORTABLE ELECTRIC AIR POWER BLOWER FOR DRYING MOTOR VEHICLES, NAMELY, AUTOMOBILES AND MOTORCYCLES (INTERNATIONAL CLASS: 11; US CLASS: 13, 21, 23, 31, 34)

International Class: 11 (ENVIRONMENTAL CONTROL APPARATUS) - PRIMARY CLASS

Registration Number: 3701644

Registration Date: October 27, 2009

PTO Internal Status: NOT AVAILABLE

PTO Status Date: October 27, 2009

Publication Date: August 11, 2009

Owner: METROPOLITAN VACUUM CLEANER CO., INC. (NEW YORK CORPORATION)

Trademark Name: METRO AIR FORCE TWIN TURBO

(STANDARD CHARACTER MARK)

Filing Date: July 18, 2008

Official Gazette Status: REGISTERED

Status Date: November 17, 2009

Goods/Services: ELECTRIC AIR POWER DRYERS FOR USE IN DRYING PETS, MOTOR-CYCLES AND CARS
(INTERNATIONAL CLASS: 11; US CLASS: 13, 21, 23, 31, 34)

International Class: 11 (ENVIRONMENTAL CONTROL APPARATUS) - PRIMARY CLASS

Registration Number: 3712971

Registration Date: November 17, 2009

PTO Internal Status: NOT AVAILABLE

PTO Status Date: November 17, 2009

Publication Date: December 09, 2008

Owner: METROPOLITAN VACUUM CLEANER CO., INC. (NEW YORK CORPORATION)

Trademark Name: STOWAWAY

(STANDARD CHARACTER MARK)

Filing Date: April 18, 2007

Official Gazette Status: REGISTERED

Status Date: February 19, 2008

Goods/Services: ELECTRIC AIR POWER DRYERS SOLD TO PROFESSIONAL PET GROOMERS FOR USE IN DRYING PETS (INTERNATIONAL CLASS: 11; US CLASS: 13, 21, 23, 31, 34)

International Class: 11 (ENVIRONMENTAL CONTROL APPARATUS) - PRIMARY CLASS

Registration Number: 3384340

Registration Date: February 19, 2008

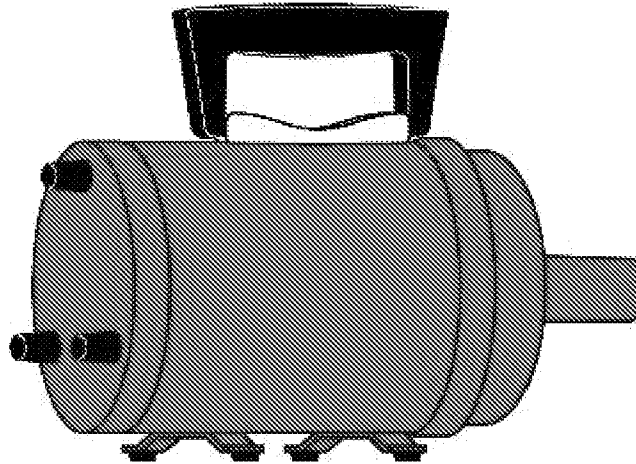
PTO Internal Status: NOT AVAILABLE

PTO Status Date: February 19, 2008

Publication Date: December 04, 2007

Owner: METROPOLITAN VACUUM CLEANER CO., INC. (NEW YORK CORPORATION)

Trademark Name:



Filing Date: January 10, 2007

Official Gazette Status: REGISTERED

Status Date: October 21, 2008

Goods/Services: PORTABLE ELECTRIC AIR POWER DRYER FOR USE IN DRYING PETS SOLD TO PROFESSIONAL PET GROOMERS (INTERNATIONAL CLASS: 11; US CLASS: 13, 21, 23, 31, 34)

International Class: 11 (ENVIRONMENTAL CONTROL APPARATUS) - PRIMARY CLASS

Registration Number: 3522787

Registration Date: October 21, 2008

PTO Internal Status: (700) REGISTERED

PTO Status Date: October 21, 2008

WIPO Design Codes: 10 (TOBACCO, SMOKERS' MATERIALS; FANS; TOILET ARTICLES; MEDICAL

DEVICES AND APPARATUS, AND TABLETS, CAPSULES OR POWDERS)

1005 (TOILET ARTICLES, GROOMING DEVICES, MIRRORS)

100508 (HAIR DRYERS, ELECTRIC CURLING IRONS, CURLERS)

11 (HOUSEHOLD UTENSILS)

1109 (MISCELLANEOUS HOUSEHOLD UTENSILS)

110925 (OTHER HOUSEHOLD UTENSILS)

15 (MACHINES AND PARTS THEREOF, INCLUDING INDUSTRIAL, AGRICULTURAL,

HOME AND OFFICE MACHINES; ELECTRICAL EQUIPMENT)
1503 (HOUSEHOLD MACHINES, APPLIANCES)
150301 (VACUUM CLEANERS, FLOOR POLISHERS, RUG SHAMPOOERS)
15 (MACHINES AND PARTS THEREOF, INCLUDING INDUSTRIAL, AGRICULTURAL,
HOME AND OFFICE MACHINES; ELECTRICAL EQUIPMENT)
1503 (HOUSEHOLD MACHINES, APPLIANCES)
150325 (OTHER HOUSEHOLD MACHINES)
26 (GEOMETRIC FIGURES AND SOLIDS)
2619 (GEOMETRICAL SOLIDS)
261902 (CYLINDERS)

Description of Mark: THE MARK CONSISTS OF A THREE DIMENSIONAL REPRESENTATION OF THE MARK IS PRESENTED. THE BROKEN LINES ARE NOT PART OF THE MARK AND SERVE ONLY TO SHOW THE PLACEMENT OF THE COLORS. THE COLOR ORANGE APPEARS IN THE CANISTER AND LEGS, THE COLOR BLACK APPEARS IN THE HANDLE AND FEET, AND THE COLOR SILVER APPEARS IN THE HANDLE ATTACHMENT.

Owner: METROPOLITAN VACUUM CLEANER CO., INC. (NEW YORK CORPORATION)

Trademark Name: QUICK DRAW

(STANDARD CHARACTER MARK)

Filing Date: July 30, 2006

Official Gazette Status: REGISTERED

Status Date: February 12, 2008

Goods/Services: PORTABLE ELECTRIC AIR POWER DRYER FOR USE IN DRYING PETS
(INTERNATIONAL
CLASS: 11; US CLASS: 13, 21, 23, 31, 34)

International Class: 11 (ENVIRONMENTAL CONTROL APPARATUS) - PRIMARY CLASS

Registration Number: 3383346

Registration Date: February 12, 2008

PTO Internal Status: (700) REGISTERED

PTO Status Date: February 12, 2008

Publication Date: March 20, 2007

Owner: METROPOLITAN VACUUM CLEANER, CO., INC. (NEW YORK CORPORATION)

Trademark Name: SIDEKICK

(STANDARD CHARACTER MARK)

Filing Date: July 30, 2006

Official Gazette Status: REGISTERED

Status Date: January 22, 2008

Goods/Services: PORTABLE ELECTRIC AIR POWER DRYER FOR USE IN DRYING BIKES
(INTERNATIONAL
CLASS: 11; US CLASS: 13, 21, 23, 31, 34)

International Class: 11 (ENVIRONMENTAL CONTROL APPARATUS) - PRIMARY CLASS

Registration Number: 3374385

Registration Date: January 22, 2008

PTO Internal Status: (700) REGISTERED

PTO Status Date: January 22, 2008

Publication Date: March 20, 2007

Owner: METROPOLITAN VACUUM CLEANER, CO., INC. (NEW YORK CORPORATION)

Trademark Name: BLASTER

(WORDS ONLY)

Filing Date: July 08, 2003

Official Gazette Status: REGISTERED

Status Date: April 20, 2004

Goods/Services: PORTABLE ELECTRIC AIR POWER BLOWER (INTERNATIONAL CLASS: 11; US CLASS: 13, 21, 23, 31, 34)

International Class: 11 (ENVIRONMENTAL CONTROL APPARATUS) - PRIMARY CLASS

Registration Number: 2834193

Registration Date: April 20, 2004

PTO Internal Status: (700) REGISTERED

PTO Status Date: April 20, 2004

Publication Date: January 27, 2004

Owner: METROPOLITAN VACUUM CLEANER CO., INC. (NEW YORK CORPORATION)

Trademark Name: MASTER BLASTER

(WORDS ONLY)

Filing Date: July 08, 2003

Official Gazette Status: REGISTERED

Status Date: April 20, 2004

Goods/Services: PORTABLE ELECTRIC AIR POWER BLOWER (INTERNATIONAL CLASS: 11; US CLASS: 13, 21, 23, 31, 34)

International Class: 11 (ENVIRONMENTAL CONTROL APPARATUS) - PRIMARY CLASS

Registration Number: 2834192

Registration Date: April 20, 2004

PTO Internal Status: (700) REGISTERED

PTO Status Date: April 20, 2004

Publication Date: January 27, 2004

Owner: METROPOLITAN VACUUM CLEANER CO., INC. (NEW YORK CORPORATION)

Trademark Name: METROPOLITAN

(WORDS ONLY)

Filing Date: April 28, 2003

Official Gazette Status: REGISTERED

Status Date: February 10, 2004

Goods/Services: VACUUM CLEANERS AND VACUUM CLEANER BLOWERS; PORTABLE ELECTRIC VACUUM CLEANER, COMBINATION PORTABLE ELECTRIC VACUUM CLEANER AND BLOWER FOR USE IN CLEANING DUST, LINT AND DEBRIS OFF KEYBOARDS, COMPUTERS, PRINTERS, DISK DRIVES, FAX MACHINES, PHOTOGRAPHIC AND OTHER HIGH TECH EQUIPMENT; VACUUM CLEANERS FOR REMOVING HAIR CLIPPINGS PRODUCED WHILE GROOMING PETS WITH A HAIR CLIPPER; PORTABLE ELECTRIC AIR POWER BLOWING MACHINE FOR CLEANING WORKSHOPS AND REMOVING LEAVES AND LITTER FROM LAWNS, PATIOS, GARDENS AND GUTTERS; AND PORTABLE INFLATING AND DEFLATING MACHINES FOR BOATS, MATTRESSES, POOLS AND INFLATABLE TOYS (INTERNATIONAL CLASS: 7; US CLASS: 13, 19, 21, 23, 31, 34, 35)

PORTABLE ELECTRIC AIR POWER BLOWER FOR USE IN DRYING PETS, PORTABLE ELECTRIC FANS (INTERNATIONAL CLASS: 11; US CLASS: 13, 21, 23, 31, 34)

International Class: 7 (MACHINERY) - PRIMARY CLASS
11 (ENVIRONMENTAL CONTROL APPARATUS)

Registration Number: 2812792

Registration Date: February 10, 2004

PTO Internal Status: (700) REGISTERED

PTO Status Date: February 10, 2004

Publication Date: November 18, 2003

Owner: METROPOLITAN VACUUM CLEANER CO., INC. (NEW YORK CORPORATION)

Trademark Name: SHUTTLE

(WORDS ONLY)

Filing Date: March 18, 2000

Official Gazette Status: RENEWED

Status Date: January 08, 2012

Goods/Services: VACUUM CLEANERS AND VACUUM CLEANER BLOWERS; AND PORTABLE ELECTRIC VACUUM CLEANER OR COMBINATION PORTABLE ELECTRIC VACUUM CLEANER AND BLOWER FOR USE IN CLEANING DUST, LINT AND DEBRIS OFF KEYBOARDS, COMPUTERS, PRINTERS, DISK DRIVES, FAX MACHINES, PHOTOGRAPHIC AND OTHER HIGH TECH EQUIPMENT (INTERNATIONAL CLASS: 7; US CLASS: 13, 19, 21, 23, 31, 34, 35)

International Class: 7 (MACHINERY) - PRIMARY CLASS

Registration Number: 2528525

Registration Date: January 08, 2002

PTO Internal Status: (800) RENEWED

PTO Status Date: January 08, 2012

Renewal Date: January 08, 2012 (for 10 years)

Publication Date: May 01, 2001

Owner: METROPOLITAN VACUUM CLEANER CO., INC. (NEW YORK CORPORATION)

Trademark Name: METRO AIR FORCE

(WORDS ONLY)

Filing Date: February 07, 2000

Official Gazette Status: REGISTERED

Status Date: July 29, 2003

Goods/Services: PORTABLE ELECTRIC AIR POWER BLOWER FOR USE IN DRYING PETS
(INTERNATIONAL
CLASS: 11; US CLASS: 13, 21, 23, 31, 34)

International Class: 11 (ENVIRONMENTAL CONTROL APPARATUS) - PRIMARY CLASS

Registration Number: 2740929

Registration Date: July 29, 2003

PTO Internal Status: NOT AVAILABLE

PTO Status Date: May 06, 2003

Publication Date: May 06, 2003

Owner: METROPOLITAN VACUUM CLEANER, CO., INC. (NEW YORK CORPORATION)

Trademark Name: SHEAR MAGIC

(WORDS ONLY)

Filing Date: January 08, 2000

Official Gazette Status: REGISTERED

Status Date: October 08, 2002

Goods/Services: VACUUM CLEANERS FOR REMOVING HAIR CLIPPINGS PRODUCED WHILE GROOMING PETS WITH A HAIR CLIPPER (INTERNATIONAL CLASS: 7; US CLASS: 13, 19, 21, 23, 31, 34, 35)

International Class: 7 (MACHINERY) - PRIMARY CLASS

Registration Number: 2629793

Registration Date: October 08, 2002

PTO Internal Status: (700) REGISTERED

PTO Status Date: October 08, 2002

Publication Date: July 16, 2002

Owner: METROPOLITAN VACUUM CLEANER, CO., INC. (NEW YORK CORPORATION)

Trademark Name: AIR FORCE

(WORDS ONLY)

Filing Date: January 08, 2000

Official Gazette Status: RENEWED

Status Date: September 10, 2012

Goods/Services: PORTABLE ELECTRIC AIR POWER BLOWER FOR USE IN DRYING PETS AND COOLING CAGES FOR PETS (INTERNATIONAL CLASS: 11; US CLASS: 13, 21, 23, 31, 34)

International Class: 11 (ENVIRONMENTAL CONTROL APPARATUS) - PRIMARY CLASS

Registration Number: 2616349

Registration Date: September 10, 2002

PTO Internal Status: (800) RENEWED

PTO Status Date: September 10, 2012

Renewal Date: September 10, 2012 (for 10 years)

Publication Date: June 18, 2002

Owner: METROPOLITAN VACUUM CLEANER, CO., INC. (NEW YORK CORPORATION)

Trademark Name: TOP GUN

(WORDS ONLY)

Filing Date: January 08, 2000

Official Gazette Status: RENEWED

Status Date: November 28, 2010

Goods/Services: PORTABLE ELECTRIC AIR POWER BLOWER FOR USE IN DRYING DOGS (INTERNATIONAL CLASS: 11; US CLASS: 13, 21, 23, 31, 34)

International Class: 11 (ENVIRONMENTAL CONTROL APPARATUS) - PRIMARY CLASS

Registration Number: 2408807

Registration Date: November 28, 2000

PTO Internal Status: (800) RENEWED

PTO Status Date: November 28, 2010

Renewal Date: November 28, 2010 (for 10 years)

Publication Date: September 05, 2000

Owner: METROPOLITAN VACUUM CLEANER, CO., INC. (NEW YORK CORPORATION)

Trademark Name: MASTER BLASTER

(WORDS ONLY)

Filing Date: September 20, 1999

Official Gazette Status: RENEWED

Status Date: May 20, 2013

Goods/Services: PORTABLE ELECTRIC AIR POWER BLOWERS FOR DRYING PETS (INTERNATIONAL CLASS:

11; US CLASS: 13, 21, 23, 31, 34)

International Class: 11 (ENVIRONMENTAL CONTROL APPARATUS) - PRIMARY CLASS

Registration Number: 2717709

Registration Date: May 20, 2003

PTO Internal Status: (800) RENEWED

PTO Status Date: May 20, 2013

Renewal Date: May 20, 2013 (for 10 years)

Publication Date: May 29, 2001

Owner: METROPOLITAN VACUUM CLEANER CO., INC. (NEW YORK CORPORATION)

Trademark Name: BLASTER

(WORDS ONLY)

Filing Date: September 20, 1999

Official Gazette Status: RENEWED

Status Date: May 20, 2013

Goods/Services: PORTABLE ELECTRIC AIR POWER BLOWER FOR DRYING PETS (INTERNATIONAL CLASS:
11; US CLASS: 13, 21, 23, 31, 34)

International Class: 11 (ENVIRONMENTAL CONTROL APPARATUS) - PRIMARY CLASS

Registration Number: 2717710

Registration Date: May 20, 2003

PTO Internal Status: (800) RENEWED

PTO Status Date: May 20, 2013

Renewal Date: May 20, 2013 (for 10 years)

Publication Date: May 22, 2001

Owner: METROPOLITAN VACUUM CLEANER CO., INC. (NEW YORK CORPORATION)

Trademark Name: DATAVAC

(WORDS ONLY)

Filing Date: October 26, 1998

Official Gazette Status: RENEWED

Status Date: February 08, 2010

Goods/Services: PORTABLE ELECTRIC VACUUM CLEANER OR COMBINATION PORTABLE ELECTRIC VACUUM CLEANER AND BLOWER FOR USE IN CLEANING DUST, LINT AND DEBRIS OFF KEYBOARDS, COMPUTERS, PRINTERS, DISK DRIVES, FAX MACHINES, PHOTOGRAPHIC AND OTHER HIGH-TECH EQUIPMENT (INTERNATIONAL CLASS: 7; US CLASS: 13, 19, 21, 23, 31, 34, 35)

International Class: 7 (MACHINERY) - PRIMARY CLASS

Registration Number: 2316028

Registration Date: February 08, 2000

PTO Internal Status: (800) RENEWED

PTO Status Date: February 08, 2010

Renewal Date: February 08, 2010 (for 10 years)

Publication Date: November 16, 1999

Owner: METROPOLITAN VACUUM CLEANER CO., INC. (NEW YORK CORPORATION)

Trademark Name: DATAVAC PC

(WORDS ONLY)

Filing Date: October 26, 1998

Official Gazette Status: RENEWED

Status Date: February 13, 2011

Goods/Services: PORTABLE ELECTRIC VACUUM CLEANER OR COMBINATION PORTABLE ELECTRIC VACUUM CLEANER AND BLOWER FOR USE IN CLEANING DUST, LINT AND DEBRIS OFF KEYBOARDS, COMPUTERS, PRINTERS, DISK DRIVES FAX MACHINES, PHOTOGRAPHIC AND OTHER HIGH-TECH EQUIPMENT (INTERNATIONAL CLASS: 7; US CLASS: 13, 19, 21, 23, 31, 34, 35)

International Class: 7 (MACHINERY) - PRIMARY CLASS

Registration Number: 2428779

Registration Date: February 13, 2001

PTO Internal Status: (800) RENEWED

PTO Status Date: February 13, 2011

Renewal Date: February 13, 2011 (for 10 years)

Publication Date: November 16, 1999

Owner: METROPOLITAN VACUUM CLEANER, CO., INC. (NEW YORK CORPORATION)

Trademark Name: CAGEMASTER



Filing Date: February 18, 1997

Official Gazette Status: RENEWED

Status Date: February 17, 2008

Goods/Services: PORTABLE ELECTRIC AIR POWER BLOWER FOR USE IN QUICKLY DRYING DOGS, PARTICULARLY, CAGED DOGS (INTERNATIONAL CLASS: 11; US CLASS: 13, 21, 23, 31, 34)

International Class: 11 (ENVIRONMENTAL CONTROL APPARATUS) - PRIMARY CLASS

Registration Number: 2137213

Registration Date: February 17, 1998

PTO Internal Status: (800) RENEWED

PTO Status Date: February 17, 2008

Renewal Date: February 17, 2008 (for 10 years)

Publication Date: November 25, 1997

Owner: METROPOLITAN VACUUM CLEANER CO., INC. (NEW YORK CORPORATION)

Trademark Name: METRO AIR FORCE EXPRESS



Filing Date: February 18, 1997

Official Gazette Status: RENEWED

Status Date: May 12, 2008

Goods/Services: PORTABLE ELECTRIC AIR POWER BLOWER FOR USE IN DRYING DOGS (INTERNATIONAL CLASS: 11; US CLASS: 13, 21, 23, 31, 34)

International Class: 11 (ENVIRONMENTAL CONTROL APPARATUS) - PRIMARY CLASS

Registration Number: 2156499

Registration Date: May 12, 1998

PTO Internal Status: (800) RENEWED

PTO Status Date: May 12, 2008

Renewal Date: May 12, 2008 (for 10 years)

Publication Date: February 17, 1998

WIPO Design Codes: 01 (CELESTIAL BODIES, NATURAL PHENOMENA, GEOGRAPHICAL MAPS)

0101 (STARS, COMETS)

010103 (A SINGLE STAR WITH FIVE POINTS)

03 (ANIMALS)

0317 (PARTS OF BIRDS; EGGS AND NESTS)

031701 (WINGS)

26 (GEOMETRIC FIGURES AND SOLIDS)

2601 (CIRCLES)

260113 (TWO CIRCLES)

26 (GEOMETRIC FIGURES AND SOLIDS)

2601 (CIRCLES)

260121 (CIRCLES THAT ARE TOTALLY OR PARTIALLY SHADED)

26 (GEOMETRIC FIGURES AND SOLIDS)

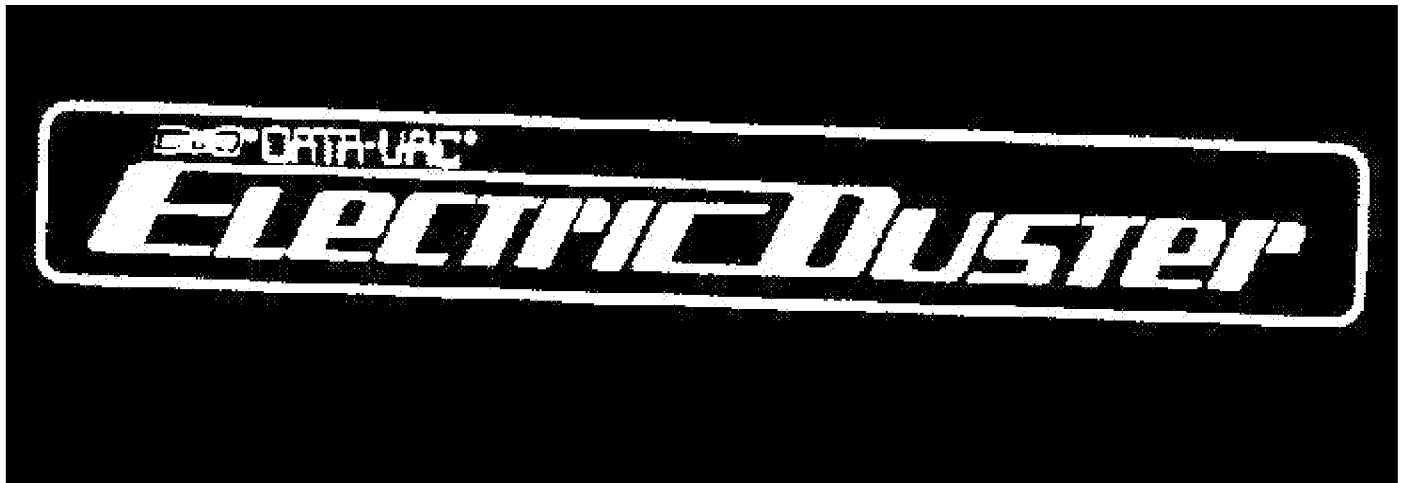
2617 (LINES, BANDS, BARS, CHEVRONS AND ANGLES)

261707 (LINES DEPICTING SPEED, PROPULSION, HEAT OR WIND)

Lining/Stippling Statement: THE LINING IN THE DRAWING IS NOT INTENDED TO INDICATE COLOR.

Owner: METROPOLITAN VACUUM CLEANER CO., INC. (NEW YORK CORPORATION)

Trademark Name: ELECTRICDUSTER METRO DATA-VAC



Filing Date: February 10, 1995

Official Gazette Status: RENEWED

Status Date: January 16, 2006

Goods/Services: PORTABLE ELECTRIC AIR POWER BLOWER FOR USE IN BLOWING DUST, LINT AND DEBRIS OFF KEYBOARDS, COMPUTERS, PRINTERS, DISK DRIVES, FAX MACHINES, PHOTOGRAPHIC AND OTHER HIGH-TECH EQUIPMENT (INTERNATIONAL CLASS: 7; US CLASS: 13, 19, 21, 23, 31, 34, 35)

International Class: 7 (MACHINERY) - PRIMARY CLASS

Registration Number: 1948899

Registration Date: January 16, 1996

PTO Internal Status: (800) RENEWED

PTO Status Date: January 16, 2006

Renewal Date: January 16, 2006 (for 10 years)

Publication Date: October 24, 1995

WIPO Design Codes: 26 (GEOMETRIC FIGURES AND SOLIDS)
2611 (RECTANGLES)
261102 (PLAIN SINGLE LINE RECTANGLES)
26 (GEOMETRIC FIGURES AND SOLIDS)

2617 (LINES, BANDS, BARS, CHEVRONS AND ANGLES)

261701 (STRAIGHT LINE(S), BAND(S), OR BAR(S))

26 (GEOMETRIC FIGURES AND SOLIDS)

2617 (LINES, BANDS, BARS, CHEVRONS AND ANGLES)

261705 (HORIZONTAL LINE(S), BAND(S), OR BAR(S))

Owner: METROPOLITAN VACUUM CLEANER CO., INC. (NEW YORK CORPORATION)

Trademark Name: COMMANDER

(WORDS ONLY)

Filing Date: June 05, 1989

Official Gazette Status: RENEWED

Status Date: October 09, 2010

Goods/Services: ELECTRIC HAND-HELD PET DRYER, IN THE NATURE OF A HAIR DRY-
ER (INTERNATIONAL
CLASS: 9; US CLASS: 21)

International Class: 9 (ELECTRICAL AND SCIENTIFIC APPARATUS) - PRIMARY CLASS

Registration Number: 1616486

Registration Date: October 09, 1990

PTO Internal Status: (800) RENEWED

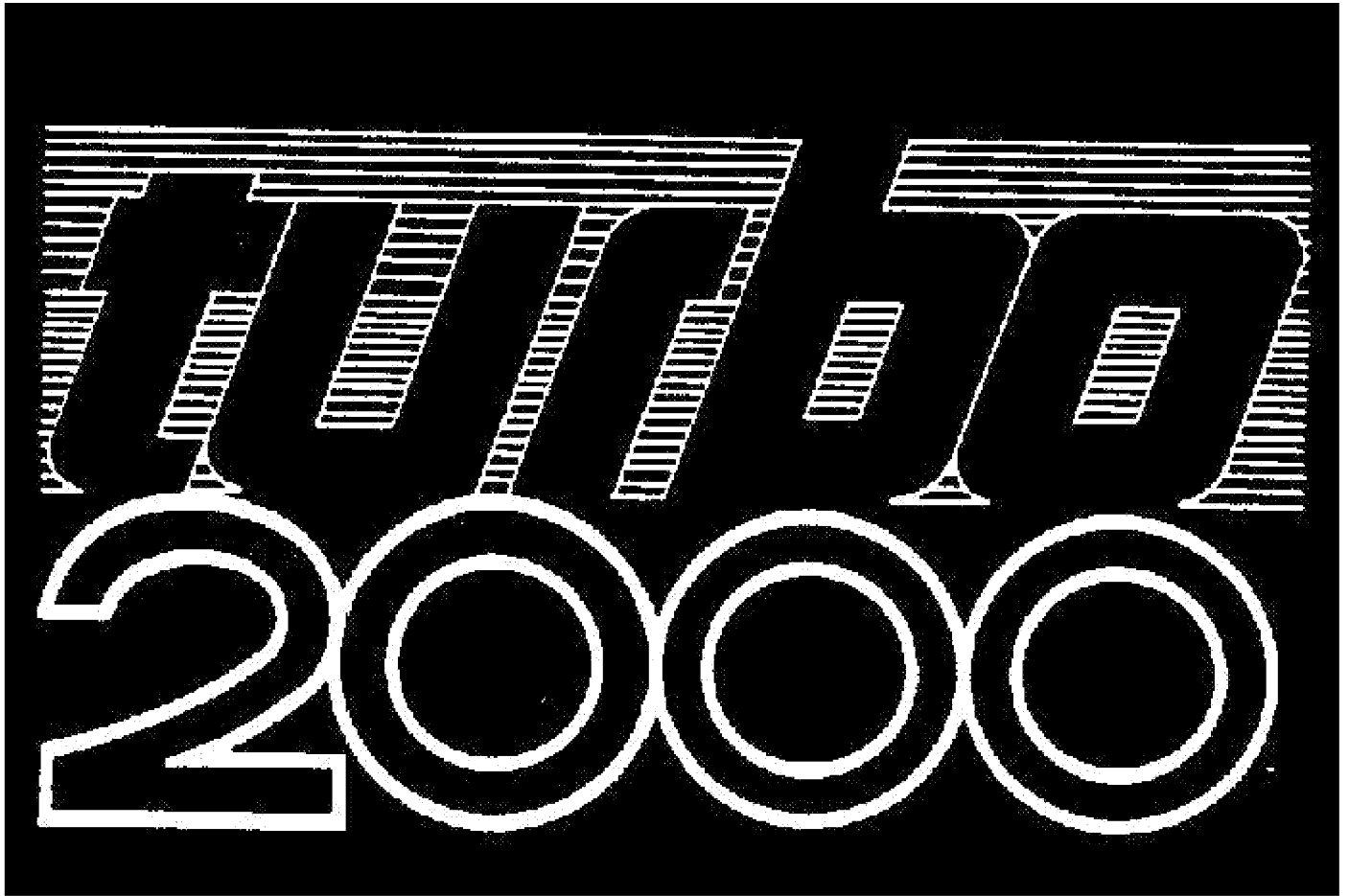
PTO Status Date: October 09, 2010

Renewal Date: October 09, 2010 (for 10 years)

Publication Date: July 17, 1990

Owner: METROPOLITAN VACUUM CLEANER CO. INC. (NEW YORK CORPORATION)

Trademark Name: TURBO 2000



Filing Date: November 26, 1985

Official Gazette Status: RENEWED

Status Date: October 07, 2006

Goods/Services: VACUUM CLEANER FOR BOTH DOMESTIC AND COMMERCIAL APPLI-
CATIONS
(INTERNATIONAL CLASS: 9; US CLASS: 21, 23)

International Class: 9 (ELECTRICAL AND SCIENTIFIC APPARATUS) - PRIMARY CLASS

Registration Number: 1412103

Registration Date: October 07, 1986

PTO Internal Status: (800) RENEWED

PTO Status Date: October 07, 2006

Renewal Date: October 07, 2006 (for 10 years)

Publication Date: July 15, 1986

WIPO Design Codes: 26 (GEOMETRIC FIGURES AND SOLIDS)

2611 (RECTANGLES)

261112 (RECTANGLES WITH BARS, BANDS AND LINES)

Lining/Stippling Statement: THE LINING IN THE DRAWING IS A FEATURE OF THE MARK AND DOES NOT INDICATE COLOR.

Owner: METROPOLITAN VACUUM CLEANER CO. INC. (NEW YORK CORPORATION)

Trademark Name: OMNIVAC



Filing Date: July 05, 1985

Official Gazette Status: RENEWED

Status Date: February 04, 2006

Goods/Services: VACUUM CLEANER AND VACUUM CLEANER/BLOWER (INTERNATIONAL CLASS: 9; US CLASS: 21, 23)

International Class: 9 (ELECTRICAL AND SCIENTIFIC APPARATUS) - PRIMARY CLASS

Registration Number: 1381166

Registration Date: February 04, 1986

PTO Internal Status: (800) RENEWED

PTO Status Date: February 04, 2006

Renewal Date: February 04, 2006 (for 10 years)

Publication Date: November 12, 1985

Owner: METROPOLITAN VACUUM CLEANER CO. INC. (NEW YORK CORPORATION)

Trademark Name: VAC'N'GO



Filing Date: July 23, 1984

Official Gazette Status: RENEWED

Status Date: May 28, 2005

Goods/Services: PORTABLE ELECTRIC VACUUM CLEANERS (INTERNATIONAL CLASS: 9; US CLASS: 21, 23)

International Class: 9 (ELECTRICAL AND SCIENTIFIC APPARATUS) - PRIMARY CLASS

Registration Number: 1337649

Registration Date: May 28, 1985

PTO Internal Status: (800) RENEWED

PTO Status Date: May 28, 2005

Renewal Date: May 28, 2005 (for 10 years)

Publication Date: March 19, 1985

Lining/Stippling Statement: THE LINING IN THE DRAWING IS A FEATURE OF THE MARK AND DOES NOT INDICATE COLOR.

Owner: METROPOLITAN VACUUM CLEANER CO. INC. (NEW YORK CORPORATION)

Trademark Name: DATA-VAC



Filing Date: June 01, 1983

Official Gazette Status: RENEWED

Status Date: July 24, 2004

Goods/Services: PORTABLE ELECTRIC COMBINATION VACUUM CLEANER BLOWER
FOR INDUSTRIAL USE
(INTERNATIONAL CLASS: 9; US CLASS: 23)

International Class: 9 (ELECTRICAL AND SCIENTIFIC APPARATUS) - PRIMARY CLASS

Registration Number: 1286985

Registration Date: July 24, 1984

PTO Internal Status: (800) RENEWED

PTO Status Date: July 24, 2004

Renewal Date: July 24, 2004 (for 10 years)

Publication Date: May 01, 1984

Owner: METROPOLITAN VACUUM CLEANER CO., INC. (NEW YORK CORPORATION)

Trademark Name: METRO AIR FORCE



Filing Date: September 12, 1980

Official Gazette Status: RENEWED

Status Date: December 08, 2011

Goods/Services: PORTABLE ELECTRIC AIR POWER BLOWING MACHINE FOR CLEANING WORKSHOPS AND REMOVING LEAVES AND LITTER FROM LAWNS, PATIOS, GARDENS, DRIVEWAYS AND GUTTERS (INTERNATIONAL CLASS: 7; US CLASS: 23)

International Class: 7 (MACHINERY) - PRIMARY CLASS

Registration Number: 1180863

Registration Date: December 08, 1981

PTO Internal Status: (800) RENEWED

PTO Status Date: December 08, 2011

Renewal Date: December 08, 2011 (for 10 years)

Publication Date: September 15, 1981

WIPO Design Codes: 01 (CELESTIAL BODIES, NATURAL PHENOMENA, GEOGRAPHICAL MAPS)

0101 (STARS, COMETS)

010103 (A SINGLE STAR WITH FIVE POINTS)

26 (GEOMETRIC FIGURES AND SOLIDS)

2613 (QUADRILATERALS)

261314 (THREE OR MORE QUADRILATERALS)

26 (GEOMETRIC FIGURES AND SOLIDS)

2613 (QUADRILATERALS)

261321 (QUADRILATERALS THAT ARE COMPLETELY OR PARTIALLY SHADED)

26 (GEOMETRIC FIGURES AND SOLIDS)

2617 (LINES, BANDS, BARS, CHEVRONS AND ANGLES)

261701 (STRAIGHT LINE(S), BAND(S), OR BAR(S))

26 (GEOMETRIC FIGURES AND SOLIDS)

2617 (LINES, BANDS, BARS, CHEVRONS AND ANGLES)

261705 (HORIZONTAL LINE(S), BAND(S), OR BAR(S))

Owner: METROPOLITAN VACUUM CLEANER CO., INC. (NEW YORK CORPORATION)

Trademark Name: M METRO VAC AND BLO



Filing Date: September 12, 1980

Official Gazette Status: RENEWED

Status Date: September 14, 2012

Goods/Services: PORTABLE ELECTRIC COMBINATION VACUUM CLEANER AND AIR BLOWER SOLD AS A UNIT
(INTERNATIONAL CLASS: 9; US CLASS: 23, 31)

International Class: 9 (ELECTRICAL AND SCIENTIFIC APPARATUS) - PRIMARY CLASS

Registration Number: 1207945

Registration Date: September 14, 1982

PTO Internal Status: (800) RENEWED

PTO Status Date: September 14, 2012

Renewal Date: September 14, 2012 (for 10 years)

Publication Date: June 15, 1982

Owner: METROPOLITAN VACUUM CLEANER CO., INC. (NEW YORK CORPORATION)

Trademark Name: MAGIC-AIR

(WORDS ONLY)

Filing Date: September 11, 1978

Official Gazette Status: RENEWED

Status Date: December 30, 2010

Goods/Services: PORTABLE INFLATING AND DEFLATING MACHINES FOR BOATS, MATTRESSES, POOLS AND INFLATABLE TOYS (INTERNATIONAL CLASS: 7; US CLASS: 23)

International Class: 7 (MACHINERY) - PRIMARY CLASS

Registration Number: 1144734

Registration Date: December 30, 1980

PTO Internal Status: (800) RENEWED

PTO Status Date: December 30, 2010

Renewal Date: December 30, 2010 (for 10 years)

Publication Date: August 19, 1980

Owner: METROPOLITAN VACUUM CLEANER CO., INC. (NEW YORK CORPORATION)

Trademark Name: DUO-VOLT

(WORDS ONLY)

Filing Date: July 15, 1970

Official Gazette Status: RENEWED

Status Date: January 11, 2012

Goods/Services: DOMESTIC VACUUM CLEANERS (INTERNATIONAL CLASS: 9; US CLASS: 21)

International Class: 9 (ELECTRICAL AND SCIENTIFIC APPARATUS) - SECONDARY CLASS

Registration Number: 926728

Registration Date: January 11, 1972

PTO Internal Status: (800) RENEWED

PTO Status Date: January 11, 2012

Renewal Date: January 11, 2012 (for 10 years)

Publication Date: October 26, 1971

Owner: METROPOLITAN VACUUM CLEANER CO., INC. (NEW YORK CORPORATION)

Trademark Name: M METRO



Filing Date: May 27, 1966

Official Gazette Status: RENEWED

Status Date: September 19, 2007

Goods/Services: ELECTRIC VACUUM CLEANERS AND FLOOR POLISHERS (INTERNATIONAL CLASS: 9; US CLASS: 21)

International Class: 9 (ELECTRICAL AND SCIENTIFIC APPARATUS) - SECONDARY CLASS

Registration Number: 835414

Registration Date: September 19, 1967

PTO Internal Status: (800) RENEWED

PTO Status Date: September 19, 2007

Renewal Date: September 19, 2007 (for 10 years)

Publication Date: July 04, 1967

Owner: METROPOLITAN VACUUM CLEANER CO., INC. (NEW YORK CORPORATION)

Trademark Name: TURBOTRONIC

(WORDS ONLY)

Filing Date: April 27, 1962

Official Gazette Status: RENEWED

Status Date: April 30, 2003

Goods/Services: VACUUM CLEANERS (INTERNATIONAL CLASS: 9; US CLASS: 21)

International Class: 9 (ELECTRICAL AND SCIENTIFIC APPARATUS) - SECONDARY CLASS

Registration Number: 748706

Registration Date: April 30, 1963

PTO Internal Status: (800) RENEWED

PTO Status Date: April 30, 2003

Renewal Date: April 30, 2003 (for 10 years)

Publication Date: February 12, 1963

Owner: METROPOLITAN VACUUM CLEANER CO., INC. (NEW YORK CORPORATION)